



ATLANTIC
Fluid Tech

SECTION 8

Hydraulic
Motors,
Actuators
and Winch
Valves

HYDRAULIC MOTOR, ACTUATOR, AND WINCH VALVES



Hydraulic scheme	Valve description	Valve type	Rated flow l/min (gpm)	Max. pressure bar (psi)	Installation	Main port size or cavity type	Page
	MADN-030-TLNR	Double antishock	30 (8)	350 (5000)	In line	G 3/8"	8.01.010
	MADN-030-TLNR	Double antishock	30 (8)	350 (5000)	In line	G 1/2"	8.01.020
	MADN-030-TBNR	Double antishock, for SD OMP-OMR	30 (8)	210 (3000)	Flanged	G 1/2"	8.01.030
	MADN-080-TLNR	Double antishock	80 (21)	350 (5000)	In line	G 1/2"	8.01.040
	MADN-040-LLNR	Dual cross over and anticavitation relief	40 (11)	210 (3000)	In line	G 1/2"	8.02.050
	MADN-080-LLNR	Dual cross over and anticavitation relief	80 (21)	250 (3600)	In line	G 3/4"	8.02.060
	MBDN-055-GLNR	Counterbalance, dual acting	55 (15)	350 (5000)	In line	G 3/8"	8.03.070
	MBDN-055-GLSF	Counterbalance, dual acting, with brake release	55 (15)	350 (5000)	In line	G 3/8"	8.04.080
	MFLN-150-RFSR	Flushing	150 (40)	420 (6000)	Flanged	Ø13	8.05.090
	MFLN-300-RFSR	Flushing	200 (53)	420 (6000)	Flanged	Ø19	8.05.100
	MFLN-500-RFSR	Flushing	500 (132)	420 (6000)	Flanged	Ø25	8.05.110
	MBSN-060-ZMSF	Single acting, brake release, for SD OMS motor	60 (16)	350 (5000)	Flanged	G 1/2"	8.06.120
	MBSN-060-ZMSF	Single acting, brake release, for SD OMP motor	60 (16)	350 (5000)	Flanged	G 1/2"	8.06.130
	MBDN-060-ALSF	Dual acting, brake release	60 (16)	350 (5000)	In line	G 3/8"	8.07.140
	MBDN-060-ALSF	Dual acting, brake release	60 (16)	350 (5000)	In line	G 1/2"	8.07.150
	MBDN-060-LMSF	Dual acting, brake release	60 (16)	250 (3600)	Flanged	Ø9	8.07.160
	MBDN-060-ZMSR	Dual acting, brake release	60 (16)	250 (3600)	Flanged	1/2" SAE 6000	8.07.170
	MBDN-060-ABSF	Dual acting, brake release	60 (16)	350 (5000)	Flanged	G 1/2"	8.07.180
	MBDN-060-LMSF	Dual acting, brake release, for SD OMS motor	60 (16)	250 (3600)	Flanged	G 1/2"	8.07.190
	MBDN-060-LMSF	Dual acting, brake release, for SD OMP motor	60 (16)	250 (3600)	Flanged	G 1/2"	8.07.200
	MBDN-060-AMSF	Dual acting, brake release, for SAM BR motor	60 (16)	350 (5000)	Flanged	G 1/2"	8.07.210
	MBDN-060-AMSF	Dual acting, brake release, for SAM HR motor	60 (16)	350 (5000)	Flanged	G 1/2"	8.07.220
		MBDN-060-AMSR	Dual acting, brake release, for BR A2FE 28-32	60 (16)	420 (6000)	Flanged	1/2" SAE 6000
MBDN-100-AMSR		Dual acting, brake release, for BR A2FE 28-32	100 (26)	420 (6000)	Flanged	1/2" SAE 6000	8.08.240
MBDN-150-AMSR		Dual acting, brake release, for BR A2FE 45-56-63	150 (40)	420 (6000)	Flanged	3/4" SAE 6000	8.08.250
MBDN-150-AMSR		Dual acting, brake release, for BR A2FE 80-90	150 (40)	420 (6000)	Flanged	1" SAE 6000	8.08.260
MBDN-300-AMSR		Dual acting, brake release, for BR A2FE 80-90	300 (79)	420 (6000)	Flanged	1" SAE 6000	8.08.270
MBDN-320-AMSR		Dual acting, brake release, for BR A2FE 107-125-160-180	320 (85)	350 (5000)	Flanged	1-1/4" SAE 6000	8.08.280

HYDRAULIC MOTOR, ACTUATOR, AND WINCH VALVES



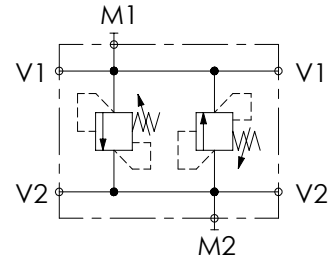
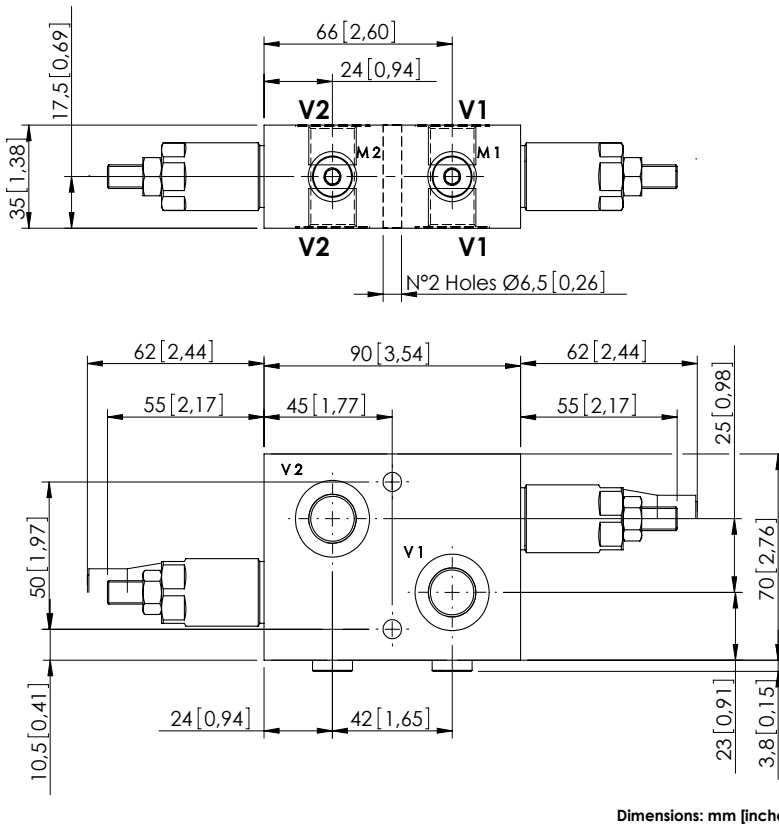
Hydraulic scheme	Valve description	Valve type	Rated flow l/min (gpm)	Max. pressure bar (psi)	Installation	Main port size or cavity type	Page
	MBSN-100-ZMSF	Single acting for winches, pilot assisted, for SD OMS motor	100 (26)	350 (5000)	Flanged	G 1/2"	8.09. 290
	MBSN-250-AMSF	Single acting for winches, brake release	250 (66)	500 (7200)	Flanged	3/4" SAE 6000	8.10. 300
	MBSN-300-AMSF	Single acting for winches, brake release	300 (79)	500 (7200)	Flanged	1" SAE 6000	8.10. 310
	MBSN-300-AMSF	Single acting for winches, brake release	300 (79)	500 (7200)	Flanged	1-1/4" SAE 6000	8.10. 320
	MBDN-500-AMSF	Double acting for winches, brake release	500 (132)	500 (7200)	Flanged	1-1/4" SAE 6000	8.11. 330

VALVES FOR MOTORS OR HYDRAULIC ACTUATORS



MADN-030-TLNR

DOUBLE ANTISHOCK



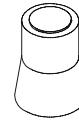
SPECIFICATIONS

Max. operating pressure:	350 bar (5000 psi)
Rated flow:	30 l/min (8 gpm)
Manifold:	Aluminium
Weight:	0,81 kg (1,79 lbs)
Contamination class to ISO 4406:	See technical spec.
MTTF:	150 - 1200 years: See technical spec.

NOTES

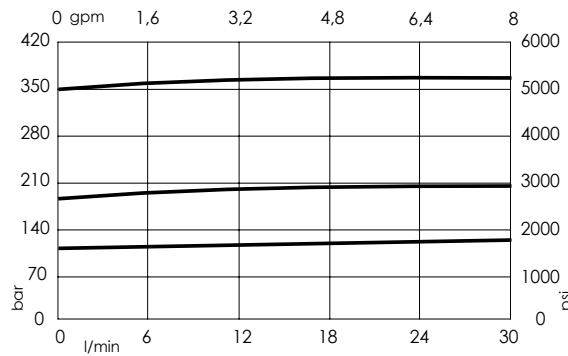
For other configurations/quick codes not available in this catalogue page please consult factory

SEALING CAP



Ordering code:
AT000020

CURVES



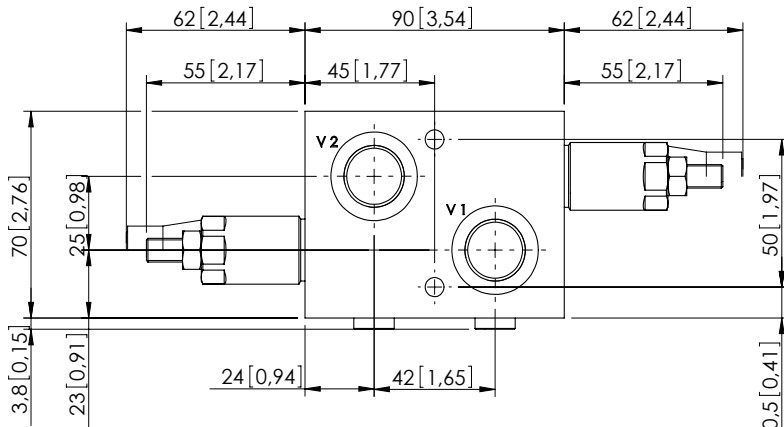
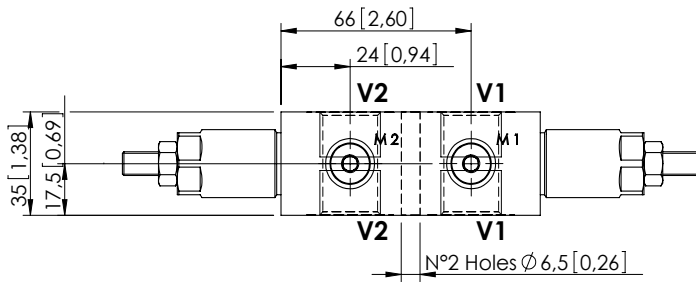
ORDERING CODES

Quick code	Description	Main ports size	Standard setting Q=5 l/min (1,3 gpm)	Adjustment range	Pressure increase
MA000006	MADN-030-TLNR-HN-G38-N350	V1,V2 : G 3/8" M1,M2 : G1/8"	350 bar (5000 psi)	100-350 bar (1400-5000 psi)	91 bar/turn (1300 psi/turn)
MA000005	MADN-030-TLNR-HN-G38-N200	V1,V2 : G 3/8" M1,M2 : G1/8"	200 bar (2900 psi)	50-210 bar (700-3000 psi)	42 bar/turn (600 psi/turn)
MA000004	MADN-030-TLNR-HN-G38-N100	V1,V2 : G 3/8" M1,M2 : G1/8"	100 bar (1400 psi)	30-100 bar (450-1400 psi)	20 bar/turn (300 psi/turn)

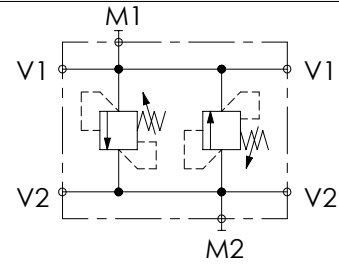
VALVES FOR MOTORS OR HYDRAULIC ACTUATORS

MADN-030-TLNR

DOUBLE ANTISHOCK



Dimensions: mm [inches]



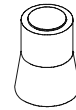
SPECIFICATIONS

Max. operating pressure:	350 bar (5000 psi)
Rated flow:	30 l/min (8 gpm)
Manifold:	Aluminium
Weight:	0,8 kg (1,85 lbs)
Contamination class to ISO 4406:	See technical spec.
MTF _a :	150 - 1200 years: See technical spec.

NOTES

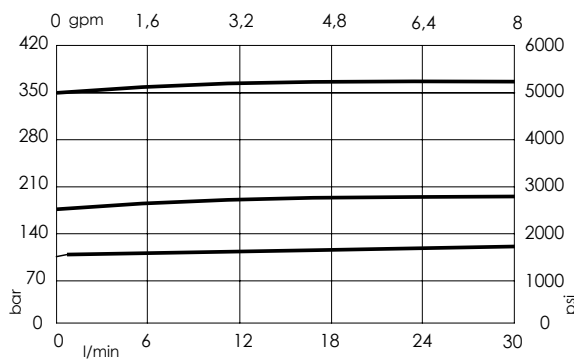
For other configurations/quick codes not available in this catalogue page please consult factory

SEALING CAP



Ordering code:
AT000020

CURVES



ORDERING CODES

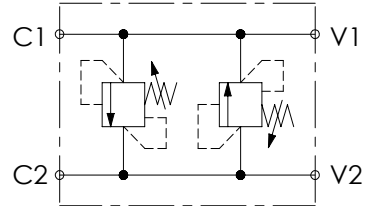
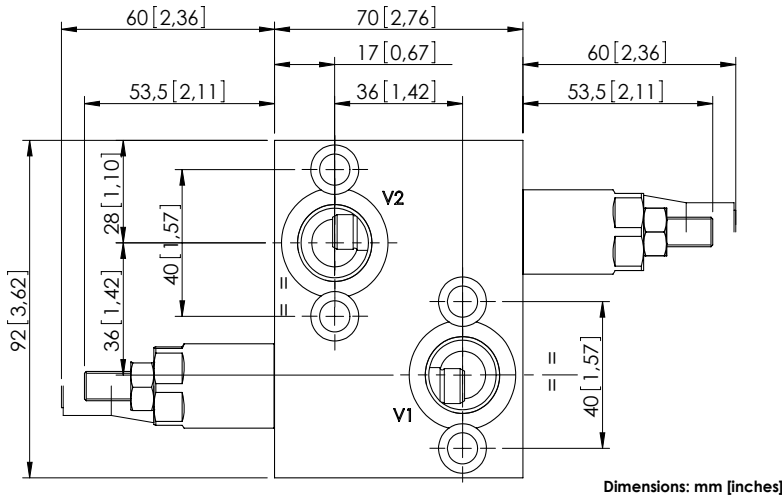
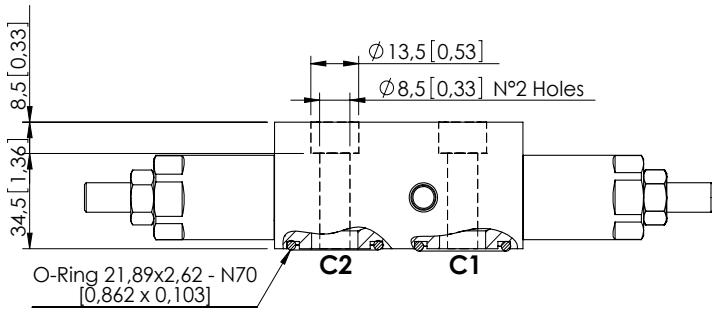
Quick code	Description	Main ports size	Standard setting Q=5 l/min (1,3 gpm)	Adjustment range	Pressure increase
MA000010	MADN-030-TLNR-HN-G12-N350	V1,V2 : G1/2" M1,M2 : G1/8"	350 bar (5000 psi)	100-350 bar (1400-5000 psi)	91 bar/turn (1300 psi/turn)
MA000007	MADN-030-TLNR-HN-G12-N200	V1,V2 : G1/2" M1,M2 : G1/8"	200 bar (2900 psi)	50-210 bar (700-3000 psi)	42 bar/turn (600 psi/turn)
MA000009	MADN-030-TLNR-HN-G12-N100	V1,V2 : G1/2" M1,M2 : G1/8"	100 bar (1400 psi)	30-100 bar (450-1400 psi)	20 bar/turn (300 psi/turn)
MA000032	MADN-030-TLNR-HN-G12-N050	V1,V2 : G1/2" M1,M2 : G1/8"	50 bar (700 psi)	10-50 bar (150-700 psi)	10 bar/turn (150 psi/turn)

VALVES FOR MOTORS OR HYDRAULIC ACTUATORS



MADN-030-TBNR

DOUBLE ANTISHOCK



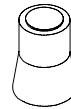
SPECIFICATIONS

Max. operating pressure:	210 bar (3000 psi)
Rated flow:	30 l/min (8 gpm)
Manifold:	Aluminium
Weight:	0,76 kg (1,68 lbs)
Contamination class to ISO 4406:	See technical spec.
MTFα:	150 - 1200 years: See technical spec.

NOTES

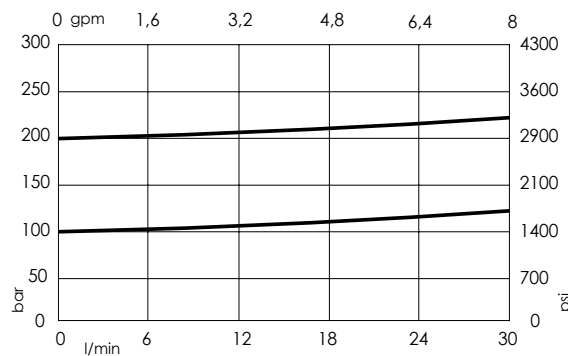
Setting: at least 1.3 times the load induced pressure.
 Designed for DANFOSS motors OMP-OMR series.
 For other configurations/quick codes not available in this catalogue page please consult factory

SEALING CAP



Ordering code:
AT000020

CURVES



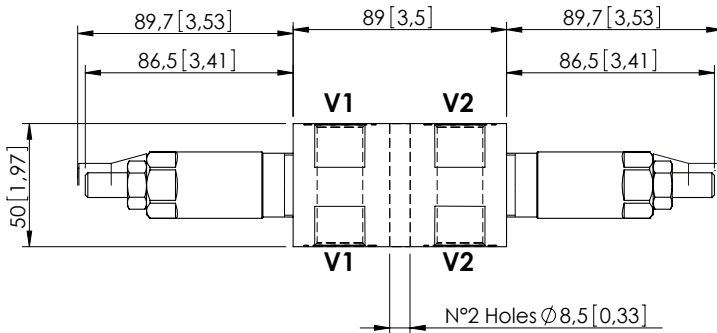
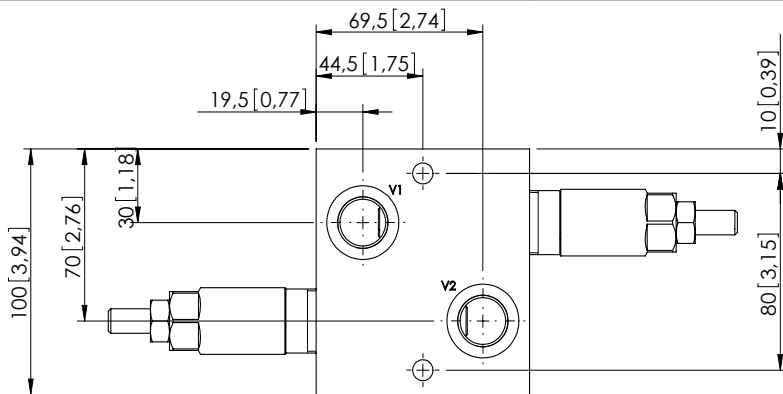
ORDERING CODES

Quick code	Description	Main ports size	Standard setting Q=5 l/min (1,3 gpm)	Adjustment range	Pressure increase
MA000012	MADN-030-TBNR-HN-G12-N210	V1,V2: G 1/2" C1,C2: Ø 13	200 bar (2900 psi)	50-210 bar (700-3000 psi)	42 bar/turn (600 psi/turn)
MA000022	MADN-030-TBNR-HN-G12-N100	V1,V2: G 1/2" C1,C2: Ø 13	100 bar (1400 psi)	30-100 bar (450-1400 psi)	20 bar/turn (300 psi/turn)

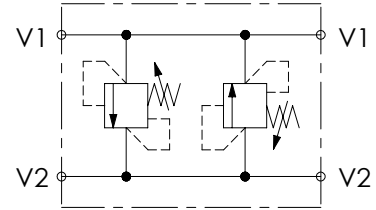
VALVES FOR MOTORS OR HYDRAULIC ACTUATORS

MADN-080-TLNR

DOUBLE ANTISHOCK



Dimensions: mm [inches]



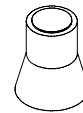
SPECIFICATIONS

Max. operating pressure:	350 bar (5000 psi)
Rated flow:	80 l/min (21 gpm)
Manifold:	Aluminium
Weight:	1,62 kg (3,57 lbs)
Contamination class to ISO 4406:	See technical spec.
MTF _a :	150 - 1200 years: See technical spec.

NOTES

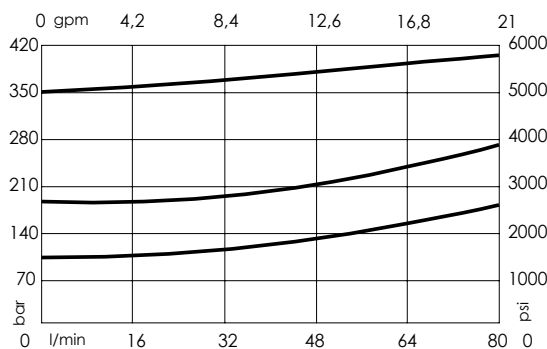
For other configurations/quick codes not available in this catalogue page please consult factory

SEALING CAP



Ordering code:
AT000021

CURVES



ORDERING CODES

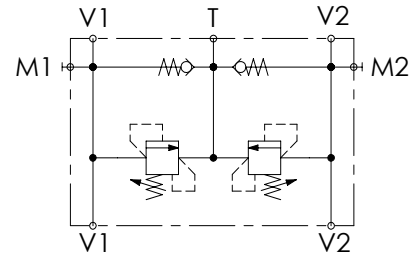
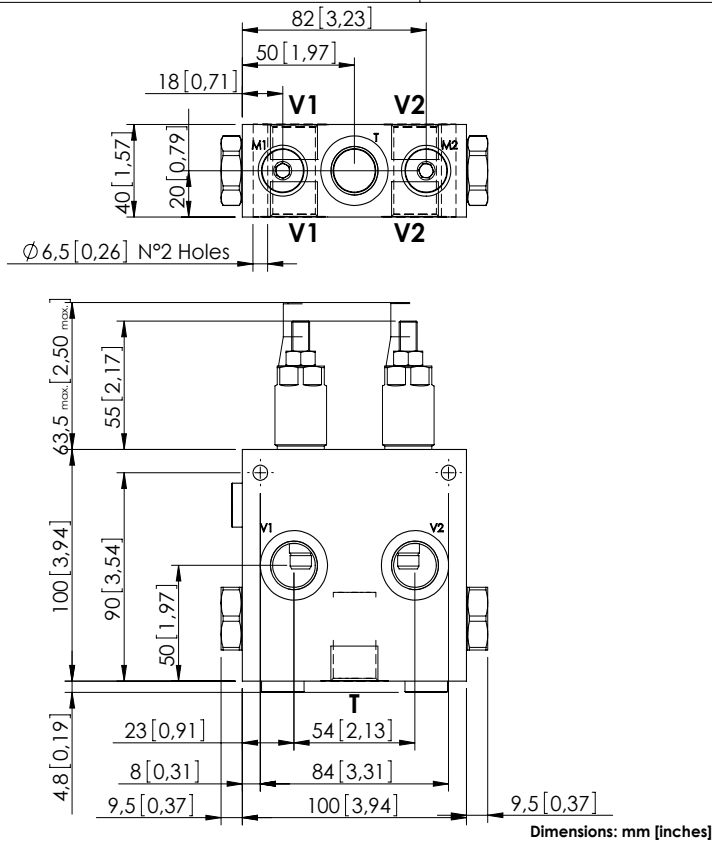
Quick code	Description	Main ports size	Standard setting Q=5 l/min (1,3 gpm)	Adjustment range	Pressure increase
MA000026	MADN-080-TLNR-HN-G12-N350	V1,V2 : G 1/2"	350 bar (5000 psi)	100-350 bar (1400-5000 psi)	42 bar/turn (600 psi/turn)
MA000025	MADN-080-TLNR-HN-G12-N200	V1,V2 : G 1/2"	200 bar (2900 psi)	60-210 bar (850-3000 psi)	24 bar/turn (350 psi/turn)
MA000021	MADN-080-TLNR-HN-G12-N100	V1,V2 : G 1/2"	100 bar (1400 psi)	25-100 bar (350-1400 psi)	13 bar/turn (200 psi/turn)

VALVES FOR MOTORS OR HYDRAULIC ACTUATORS



MADN-040-LLNR

DUAL CROSS OVER
ANTICAVITATION RELIEF



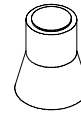
SPECIFICATIONS

Max. operating pressure:	210 bar (3000 psi)
Rated flow:	40 l/min (11 gpm)
Manifold:	Aluminium
Weight:	1,37 kg (3,02 lbs)
Contamination class to ISO 4406:	See technical spec.
MTTFd:	150 - 1200 years: See technical spec.

NOTES

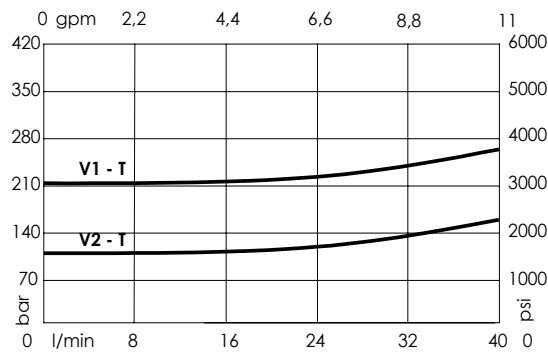
Setting: at least 1.3 times the load induced pressure.
For other configurations/quick codes not available in this catalogue page please consult factory

SEALING CAP



Ordering code:
AT000020

CURVES



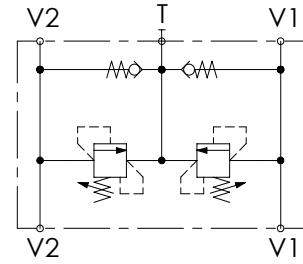
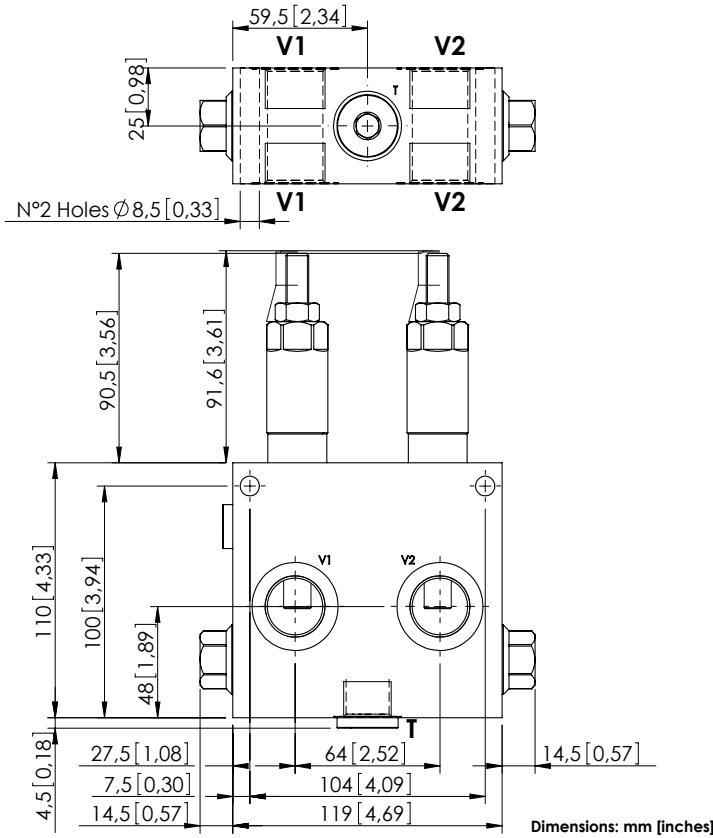
ORDERING CODES

Quick code	Description	Main ports size	Standard setting Q=5 l/min (1,3 gpm)	Adjustment range	Pressure increase
MA000054	MADN-040-LLV-NP-G12-N210	V1,V2,T: G1/2" M1,M2: G1/4"	200 bar (2900 psi)	50-210 bar (700-3000 psi)	42 bar/turn (600 psi/turn)
MA000055	MADN-040-LLV-NP-G12-N100	V1,V2,T: G1/2" M1,M2: G1/4"	100 bar (1400 psi)	30-100 bar (450-1400 psi)	20 bar/turn (300 psi/turn)

VALVES FOR MOTORS OR HYDRAULIC ACTUATORS

MADN-080-LLNR

DUAL CROSS OVER
ANTICAVITATION RELIEF



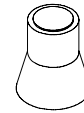
SPECIFICATIONS

Max. operating pressure:	250 bar (3600 psi)
Rated flow:	80 l/min (21 gpm)
Manifold:	Aluminium
Weight:	2,28 kg (5,03 lbs)
Contamination class to ISO 4406:	See technical spec.
MTF _d :	150 - 1200 years: See technical spec.

NOTES

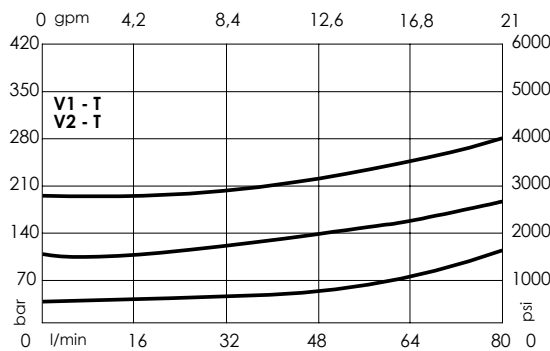
Setting: at least 1.3 times the load induced pressure.
For other configurations/quick codes not available in this catalogue page please consult factory

SEALING CAP



Ordering code:
AT000021

CURVES



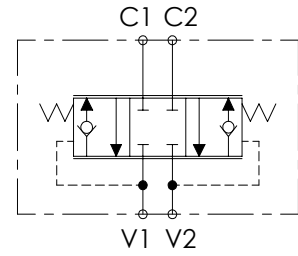
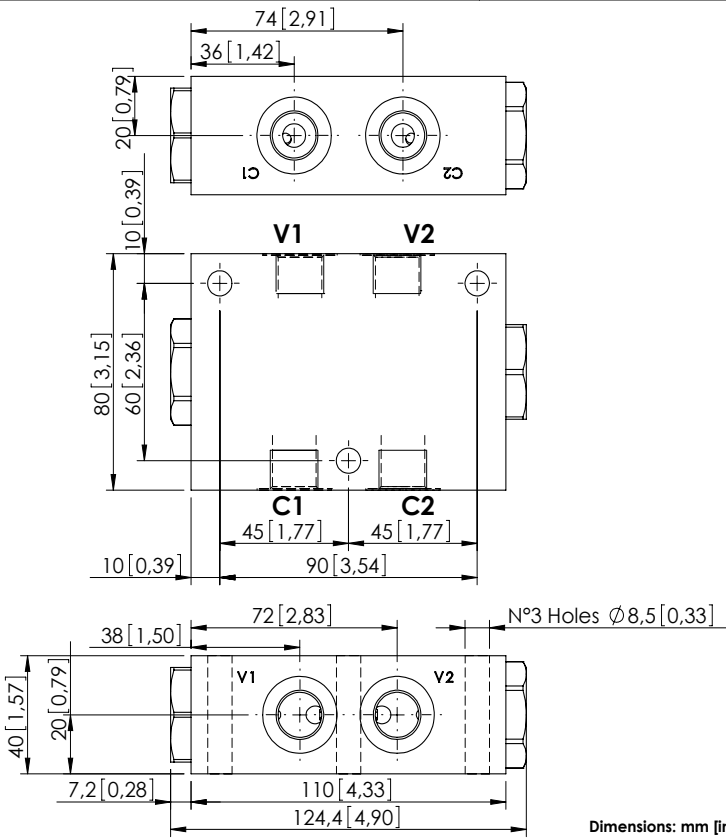
ORDERING CODES

Quick code	Description	Main ports size	Standard setting Q=5 l/min (1,3 gpm)	Adjustment range	Pressure increase
MA000018	MADN-080-LLNR-HN-G34-N200	V1,V2: G3/4" T: G1/2"	200 bar (2900 psi)	60-210 bar (850-3000 psi)	24 bar/turn (350 psi/turn)
MA000023	MADN-080-LLNR-HN-G34-N100	V1,V2: G3/4" T: G1/2"	100 bar (1400 psi)	25-100 bar (350-1400 psi)	13 bar/turn (200 psi/turn)
MA000024	MADN-080-LLNR-HN-G34-N050	V1,V2: G3/4" T: G1/2"	50 bar (700 psi)	5-50 bar (75-700 psi)	9 bar/turn (150 psi/turn)

VALVES FOR MOTORS

MBDN-055-GLNR

COUNTERBALANCE



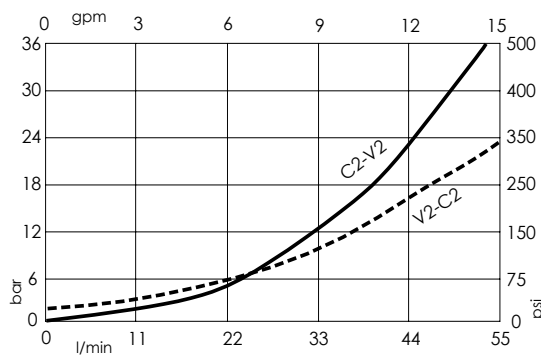
SPECIFICATIONS

Max. operating pressure:	350 bar (5000 psi)
Rated flow:	55 l/min (15 gpm)
Manifold:	Cast iron
Weight:	2,53 kg (5,58 lbs)
Contamination class to ISO 4406:	See technical spec.
MTF _d :	150 - 1200 years: See technical spec.

NOTES

Designed for traction control of small undercarriages.
 For other configurations/quick codes not available in this catalogue page please consult factory

CURVES



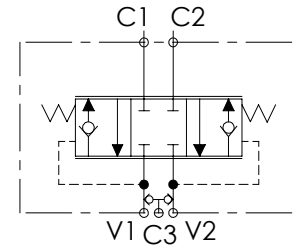
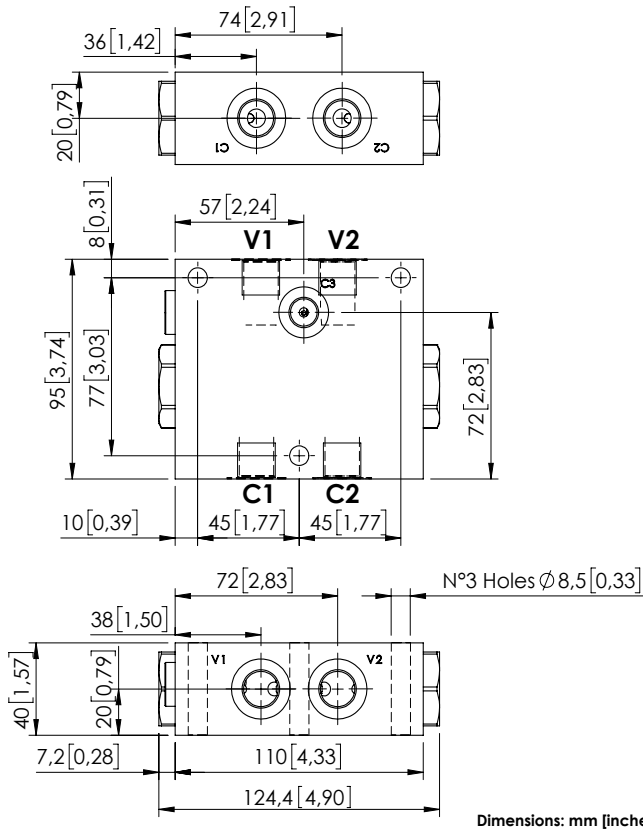
ORDERING CODES

Quick code	Description	Main ports size	Standard setting Q=5 l/min (1,3 gpm)	Adjustment range	Pressure increase
MB000112	MBDN-055-GLNR-01-G38-N006	V1,V2,C1,C2 : G3/8"	6 bar (85 psi)	Fixed setting	NO

VALVES FOR MOTORS

MBDN-055-GLSF

COUNTERBALANCE
WITH BRAKE RELEASE



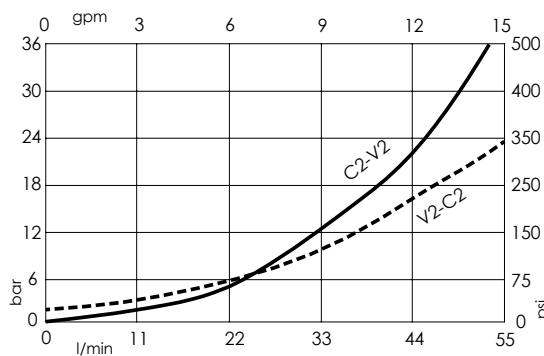
SPECIFICATIONS

Max. operating pressure:	350 bar (5000 psi)
Rated flow:	55 l/min (15 gpm)
Manifold:	Cast iron
Weight:	3,08 kg (6,79 lbs)
Contamination class to ISO 4406:	See technical spec.
MTTF _d :	150 - 1200 years: See technical spec.

NOTES

Setting: at least 1.3 times the load induced pressure.
 Designed for traction control of small undercarriages.
 For other configurations/quick codes not available in this catalogue page please consult factory

CURVES



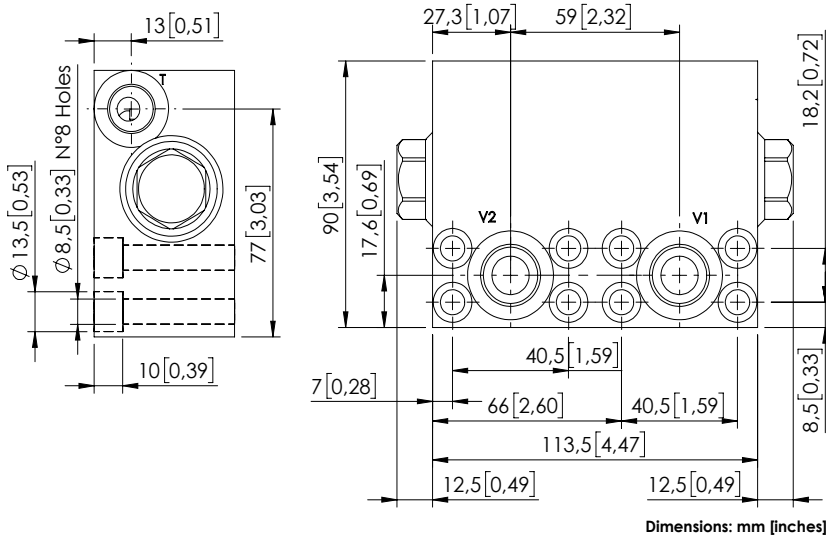
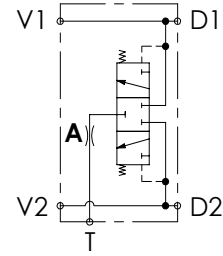
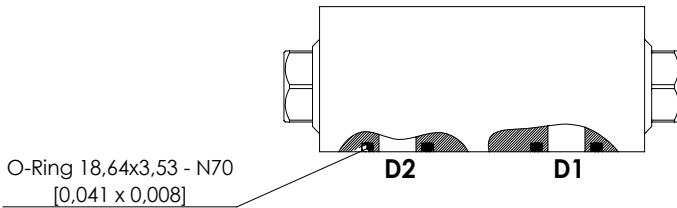
ORDERING CODES

Quick code	Description	Main ports size	Standard setting Q=5 l/min (1,3 gpm)	Adjustment range	Pressure increase
MB000232	MBDN-055-GLSF-01-G38-N006	V1,V2,C1,C2 : G3/8" C3 : G1/4"	6 bar (85 psi)	Fixed setting	NO

VALVES FOR MOTORS

MFLN-150-RFSR

FLUSHING VALVE
FLANGEABLE TYPE



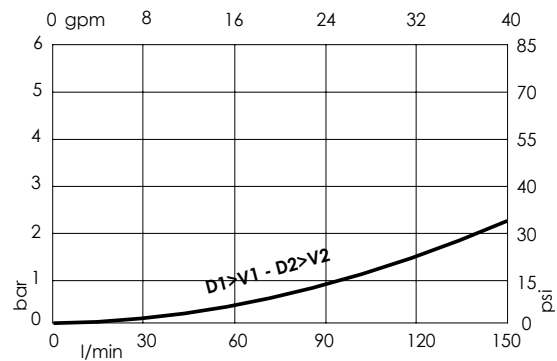
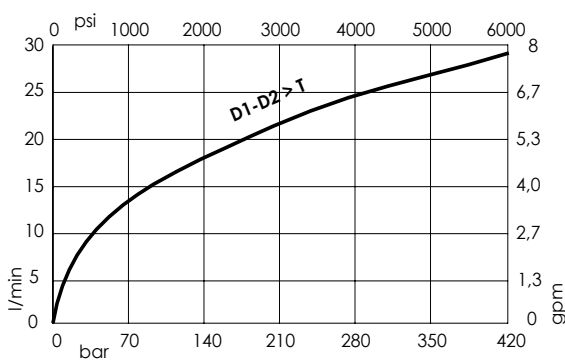
SPECIFICATIONS

Max. operating pressure:	420 bar (6000 psi)
Rated flow:	150 l/min (40 gpm)
Manifold:	Steel
Weight:	3,38 kg (7,45 lbs)
Contamination class to ISO 4406:	See technical spec.
MTF _a :	150 - 1200 years: See technical spec.

NOTES

For other configurations/quick codes not available in this catalogue page please consult factory

CURVES



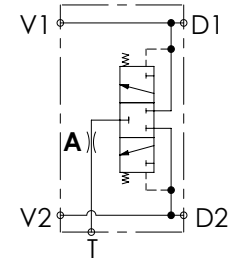
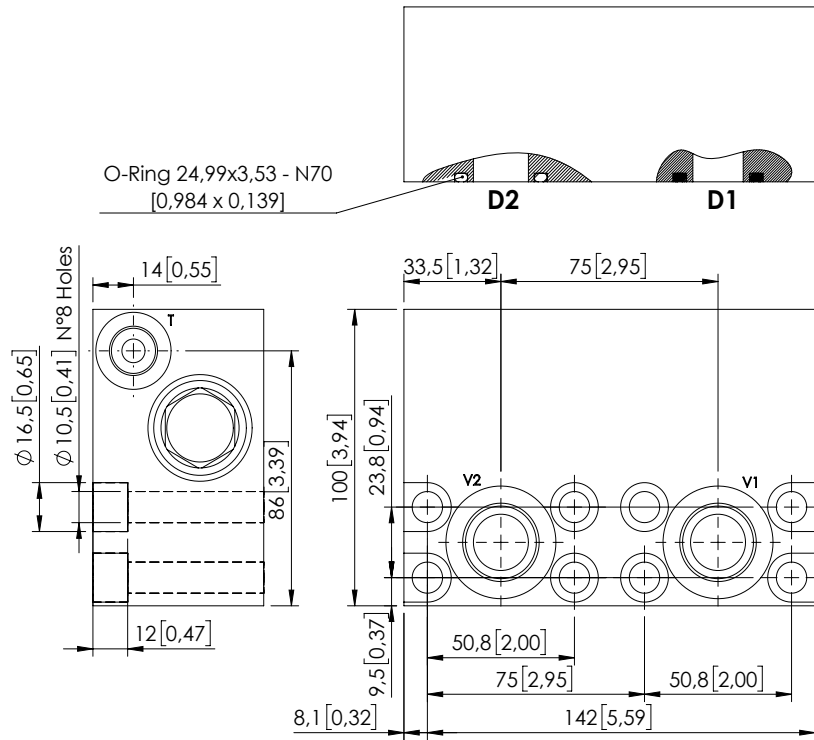
ORDERING CODES

Quick code	Description	Main ports size	Spool setting	A orifice Ø
MF000111	MFLN-150-RFSR-08-S12-N420	V1, V2: G1/2" D1, D2: 1/2" SAE 6000 T: G3/8"	6 bar (85 psi)	1,7 [0,067]

VALVES FOR MOTORS

MFLN-300-RFSR

FLUSHING VALVE
FLANGEABLE TYPE



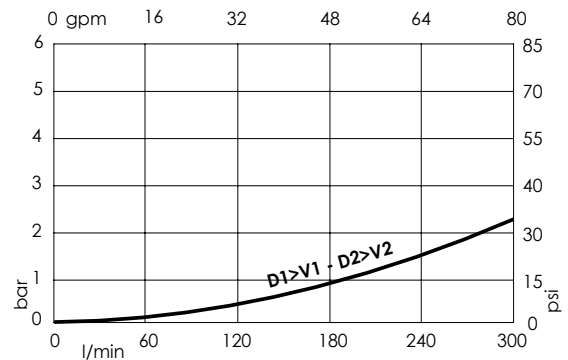
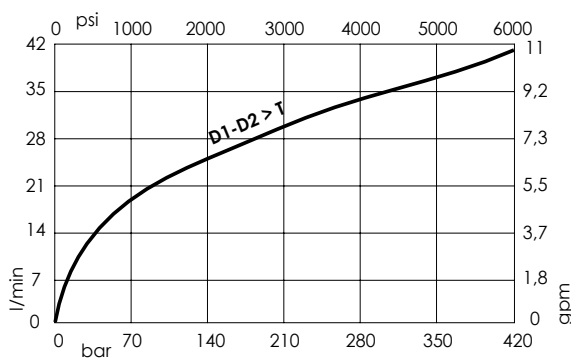
SPECIFICATIONS

Max. operating pressure:	420 bar (6000 psi)
Rated flow:	300 l/min (53 gpm)
Manifold:	Steel
Weight:	5,38 kg (11,86 lbs)
Contamination class to ISO 4406:	See technical spec.
MTTF _d :	150 - 1200 years: See technical spec.

NOTES

For other configurations/quick codes not available in this catalogue page please consult factory

CURVES



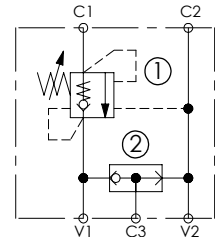
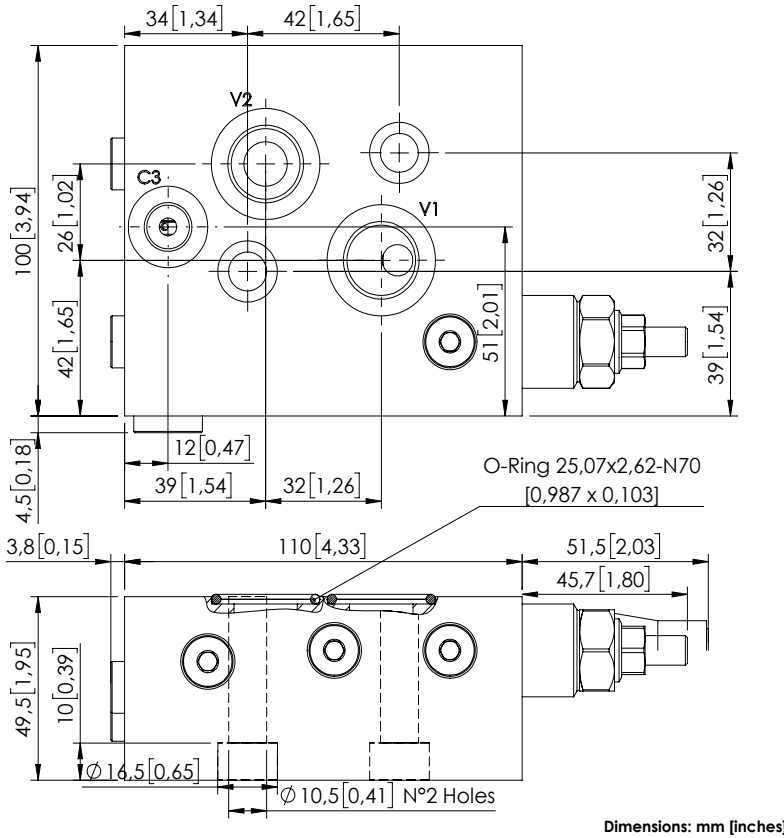
ORDERING CODES

Quick code	Description	Main ports size	Spool setting	A orifice Ø
MF000110	MFLN-300-RFSR-09-S34-N420	V1,V2:G3/4" D1,D2:3/4"SAE 6000 T: G3/8"	6 bar (85 psi)	1,9 [0,075]

VALVES FOR MOTORS

MBSN-060-ZMSF

OVERCENTRE
WITH BRAKE RELEASE



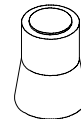
SPECIFICATIONS

Max. operating pressure:	350 bar (5000 psi)
Rated flow:	60 l/min (16 gpm)
Manifold:	Aluminium
Weight:	1,5 kg (3,31 lbs)
Contamination class to ISO 4406:	See technical spec.
MTTF:	150 - 1200 years: See technical spec.

NOTES

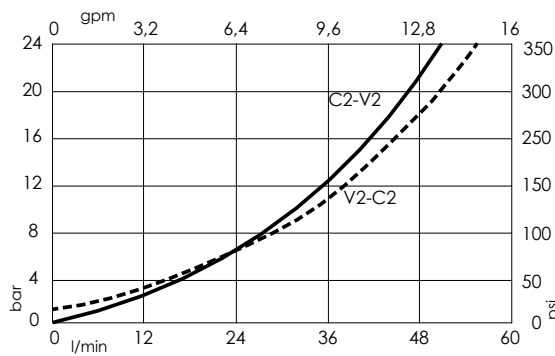
Setting: at least 1.3 times the load induced pressure.
 Designed for DANFOSS motors OMS series.
 For other configurations/quick codes not available in this catalogue page please consult factory

SEALING CAP



Ordering code:
AT000020

CURVES



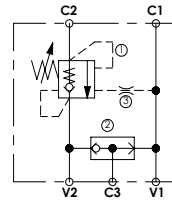
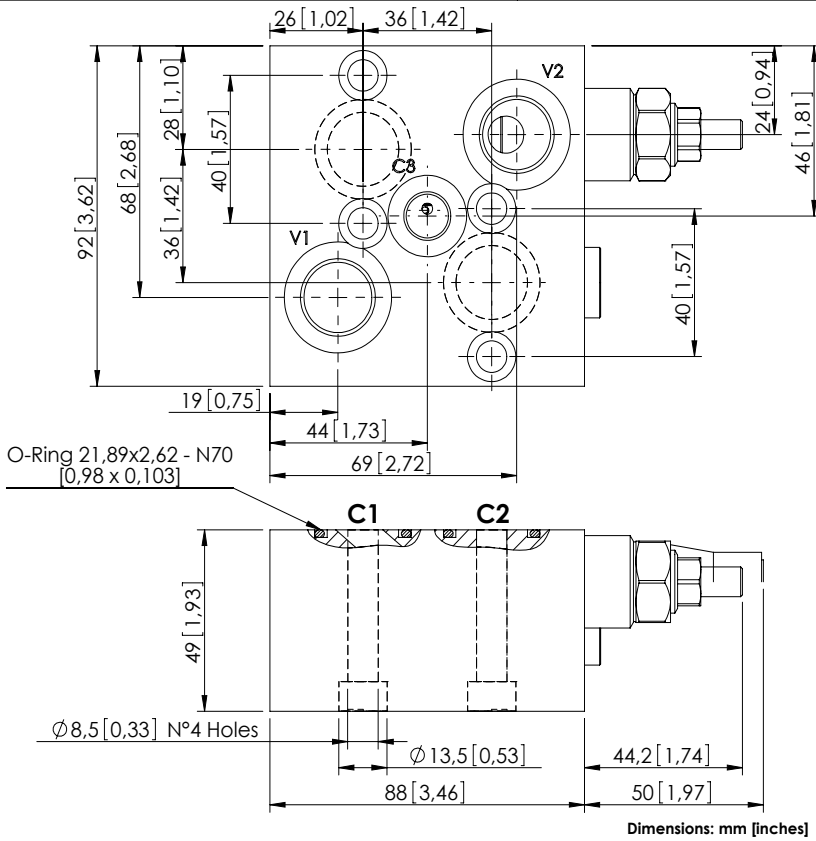
ORDERING CODES

Quick code	Description	Pilot ratio	Main ports size	Standard setting Q=5 l/min (1.3 gpm)	Adjustment range	Pressure increase
MB001036	MBSN-060-ZMSF-04-G12-N350-NOMS	4,2:1	V1,V2: G1/2" C1,C2: OMS flange C3: G 1/4"	350 bar (5000 psi)	100-350 bar (3600-5000 psi)	139 bar/turn (2000 psi/turn)
MB001058	MBSN-060-ZMSF-04-G12-N200-NOMS	4,2:1	V1,V2: G1/2" C1,C2: OMS flange C3: G 1/4"	200 bar (2900 psi)	60-210 bar (850-3000 psi)	62 bar/turn (900 psi/turn)

VALVES FOR MOTORS

MBSN-060-ZMSF

OVERCENTRE
WITH BRAKE RELEASE



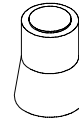
SPECIFICATIONS

Max. operating pressure:	350 bar (5000 psi)
Rated flow:	60 l/min (16 gpm)
Manifold:	Aluminium
Weight:	1,09 kg (2,4 lbs)
Contamination class to ISO 4406:	See technical spec.
MTF _d :	150 - 1200 years: See technical spec.

NOTES

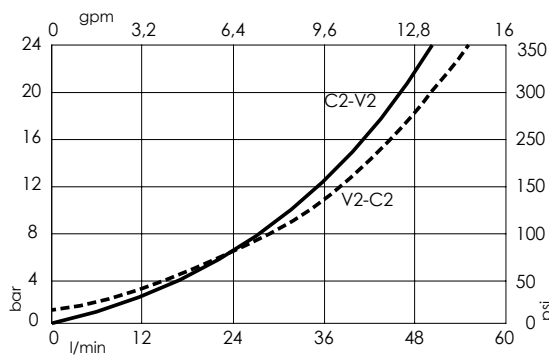
Setting: at least 1.3 times the load induced pressure.
Designed for DANFOSS motors OMP-OMR series.
For other configurations/quick codes not available in this catalogue page please consult factory

SEALING CAP



Ordering code:
AT000020

CURVES



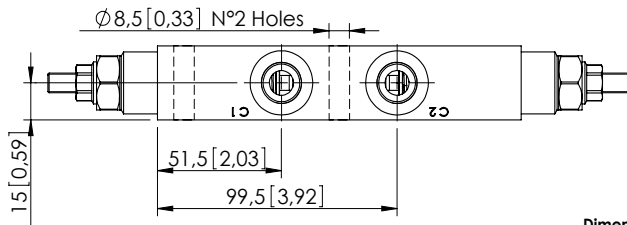
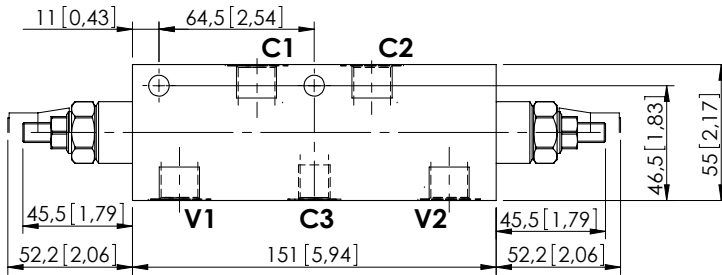
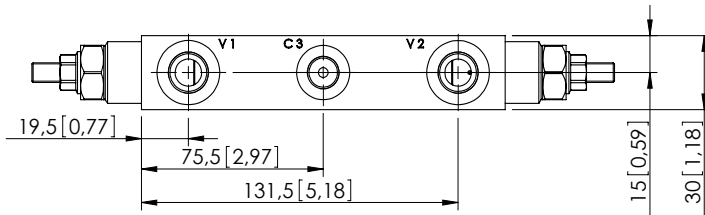
ORDERING CODES

Quick code	Description	Pilot ratio	Main ports size	Standard setting Q=5 l/min (1,3 gpm)	Adjustment range	Pressure increase
MB000796	MBSN-060-ZMSF-04-G12-N350-NOMP	4,2:1	V1, V2: G1/2" C1, C2: OMP flange C3: G 1/4"	350 bar (5000 psi)	100-350 bar (1400-5000 psi)	139 bar/turn (2000 psi/turn)
MB000795	MBSN-060-ZMSF-04-G12-N200-NOMP	4,2:1	V1, V2: G1/2" C1, C2: OMP flange C3: G 1/4"	200 bar (2900 psi)	60-210 bar (850-3000 psi)	62 bar/turn (900 psi/turn)

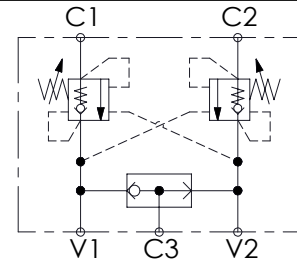
VALVES FOR MOTORS

MBDN-060-ALSF

DOUBLE ACTING WITH
BRAKE RELEASE



Dimensions: mm [inches]



SPECIFICATIONS

Max. operating pressure:	350 bar (5000 psi)
Rated flow:	60 l/min (16 gpm)
Manifold:	Steel
Weight:	1,89 kg (4,17 lbs)
Contamination class to ISO 4406:	See technical spec.
MTF _d :	150 - 1200 years: See technical spec.

NOTES

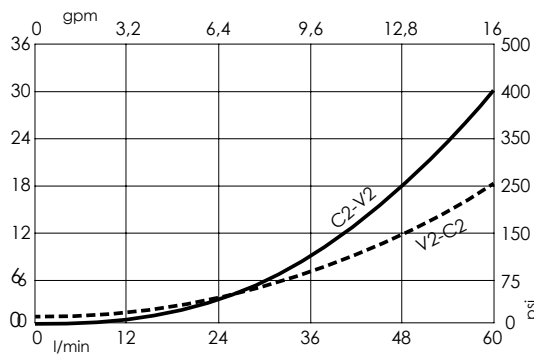
Setting: at least 1.3 times the load induced pressure.
For other configurations/quick codes not available in this catalogue page please consult factory

SEALING CAP



Ordering code:
AT000020

CURVES



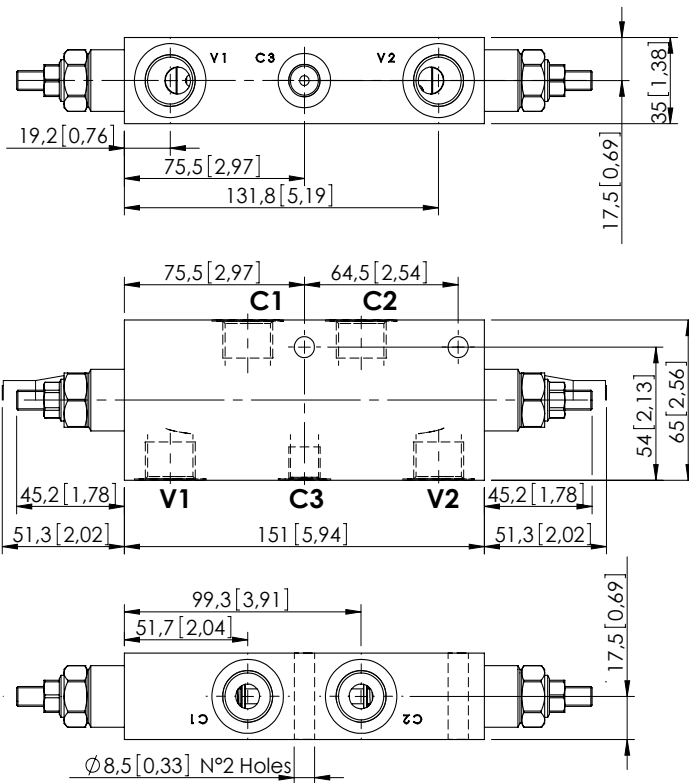
ORDERING CODES

Quick code	Description	Pilot ratio	Main ports size	Standard setting Q=5 l/min (1.3 gpm)	Adjustment range	Pressure increase
MB000528	MBDN-060-ALSF-04-G38-N350	4,2:1	V1,V2: G3/8" C1,C2: G3/8" C3:G1/4"	350 bar (5000 psi)	100-350 bar (1400-5000 psi)	138 bar/turn (2000 psi/turn)
MB000529	MBDN-060-ALSF-04-G38-N200	4,2:1	V1,V2: G3/8" C1,C2: G3/8" C3:G1/4"	200 bar (2900 psi)	60-210 bar (850-3000 psi)	62 bar/turn (900 psi/turn)
MB000704	MBDN-060-ALSF-11-G38-N250	11:1	V1,V2: G3/8" C1,C2: G3/8" C3:G1/4"	250 bar (3600 psi)	60-250 bar (850-3600 psi)	56 bar/turn (800 psi/turn)

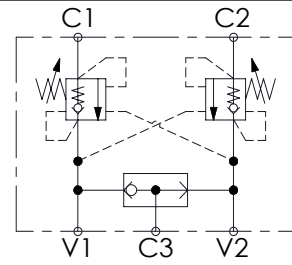
VALVES FOR MOTORS

MBDN-060-ALSF

DOUBLE ACTING WITH
BRAKE RELEASE



Dimensions: mm [inches]



SPECIFICATIONS

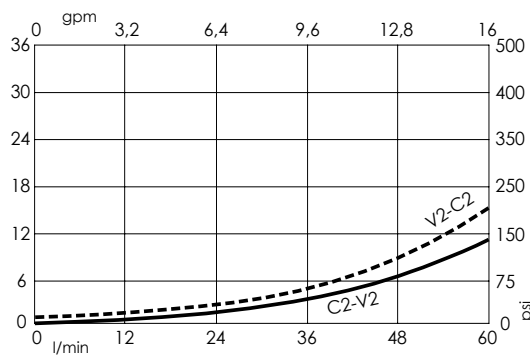
Max. operating pressure:	350 bar (5000 psi)
Rated flow:	60 l/min (16 gpm)
Manifold:	Steel
Weight:	2,53 kg (5,58 lbs)
Contamination class to ISO 4406:	See technical spec.
MTF _a :	150 - 1200 years: See technical spec.

NOTES

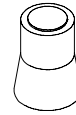
Setting: at least 1.3 times the load induced pressure.

For other configurations/quick codes not available in this catalogue page please consult factory

CURVES



SEALING CAP



Ordering code:
AT000020

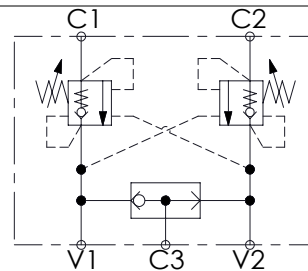
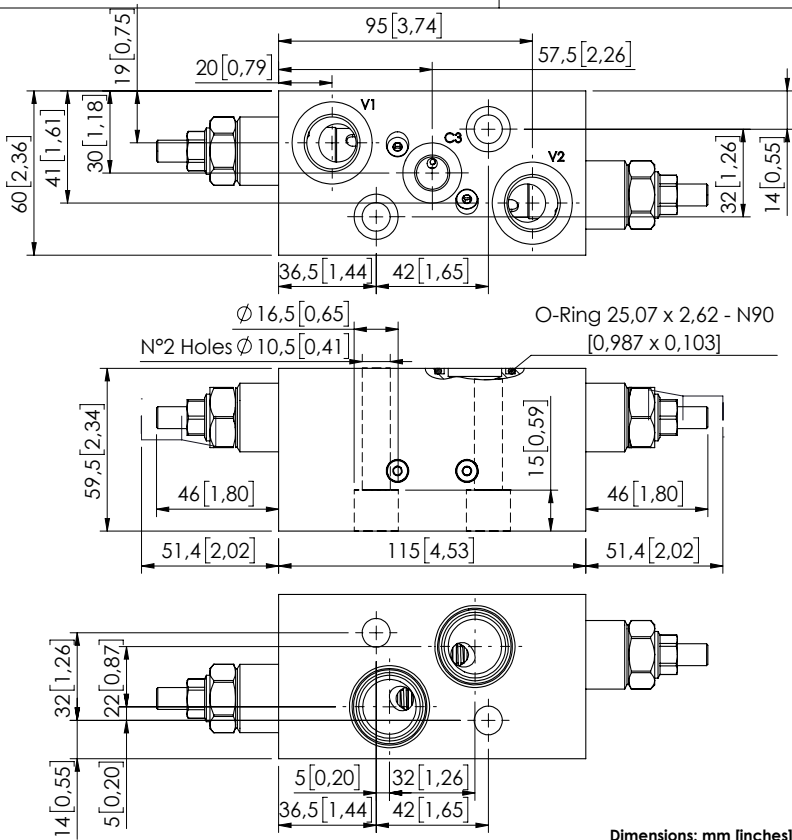
ORDERING CODES

Quick code	Description	Pilot ratio	Main ports size	Standard setting Q=5 l/min (1,3 gpm)	Adjustment range	Pressure increase
MB000021	MBDN-060-ALSF-11-G12-N350	11:1	V1,V2: G1/2" C1,C2: G1/2" C3:G1/4"	350 bar (5000 psi)	100-350 bar (1400-5000 psi)	161 bar/turn (2300 psi/turn)
MB000465	MBDN-060-ALSF-11-G12-N250	11:1	V1,V2: G1/2" C1,C2: G1/2" C3:G1/4"	250 bar (3600 psi)	60-250 bar (850-3600 psi)	69 bar/turn (1000 psi/turn)
MB000466	MBDN-060-ALSF-04-G12-N350	4,2:1	V1,V2: G1/2" C1,C2: G1/2" C3:G1/4"	350 bar (5000 psi)	100-350 bar (1400-5000 psi)	139 bar/turn (2000 psi/turn)
MB000363	MBDN-060-ALSF-04-G12-N200	4,2:1	V1,V2: G1/2" C1,C2: G1/2" C3:G1/4"	200 bar (2900 psi)	60-210 bar (850-3000 psi)	62 bar/turn (900 psi/turn)

VALVES FOR MOTORS

MBDN-060-ZMSF

DOUBLE ACTING WITH
BRAKE RELEASE



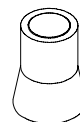
SPECIFICATIONS

Max. operating pressure:	250 bar (3600 psi)
Rated flow:	60 l/min (16 gpm)
Manifold:	Aluminium
Weight:	1,231 kg (2,91 lbs)
Contamination class to ISO 4406:	See technical spec.
MTF _a :	150 - 1200 years: See technical spec.

NOTES

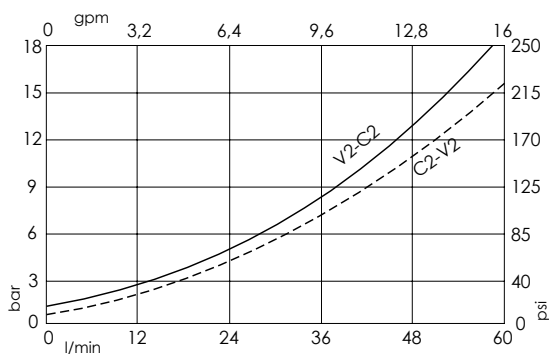
Designed for OMS motors.
For other configurations/quick codes not available in this catalogue page please consult factory

SEALING CAP



Ordering code:
AT000020

CURVES



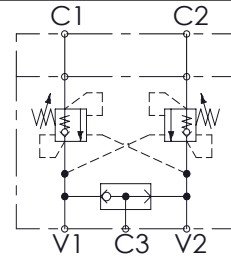
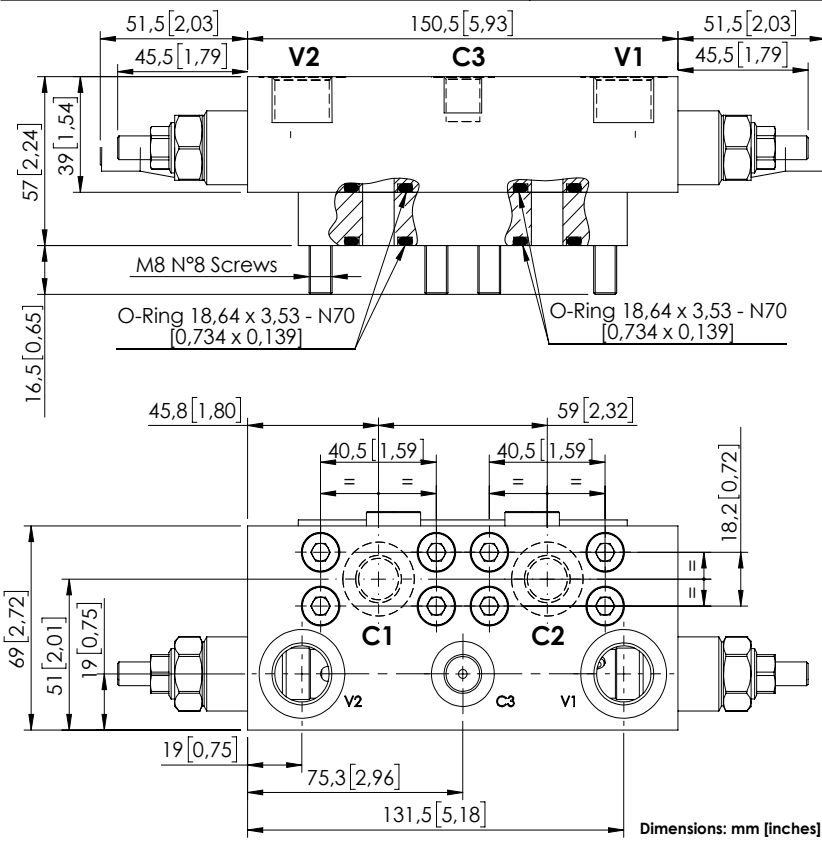
ORDERING CODES

Quick code	Description	Pilot ratio	Main ports size	Standard setting Q=5 l/min (1.3 gpm)	Adjustment range	Pressure increase
MB000908	MBDN-060-LMSF-11-G12-N250	11:1	V1,V2: G1/2" C1,C2:Ø9 C3:G1/4"	250 bar (3600 psi)	100-420 bar (1400-6000 psi)	69 bar/turn (1000 psi/turn)

VALVES FOR MOTORS

MBDN-060-ZMNR

OVERCENTRE
WITH BRAKE RELEASE



SPECIFICATIONS

Max. operating pressure:	250 bar (3600 psi)
Rated flow:	60 l/min (16 gpm)
Manifold:	Anodized Aluminium
Weight:	1,65 kg(4,41 lbs)
Contamination class to ISO 4406:	See technical spec.
MTTFa:	150 - 1200 years: See technical spec.

NOTES

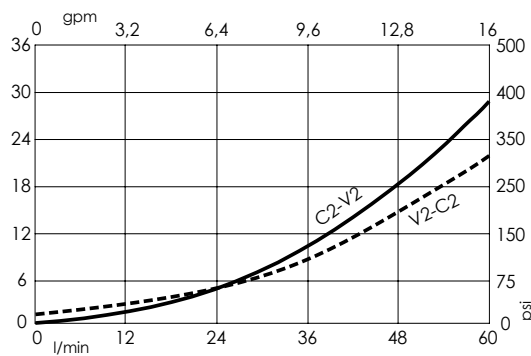
Setting: at least 1.3 times the load induced pressure.
For other configurations/quick codes not available in this catalogue page please consult factory

SEALING CAP



Ordering code:
AT000020

CURVES



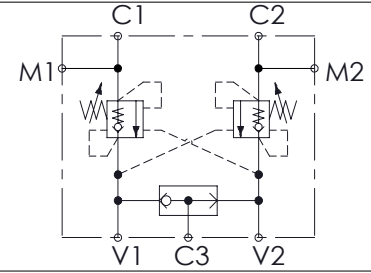
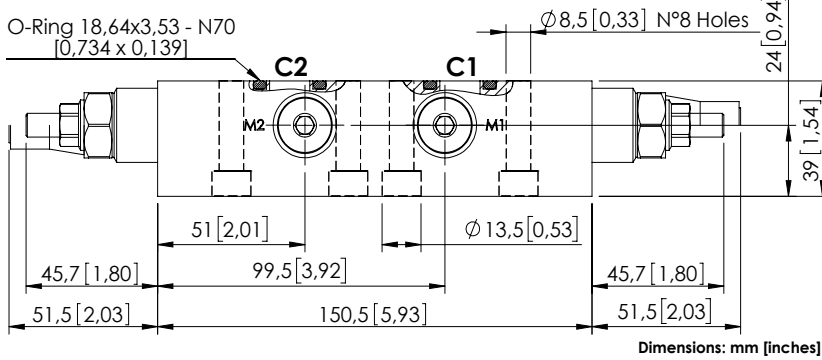
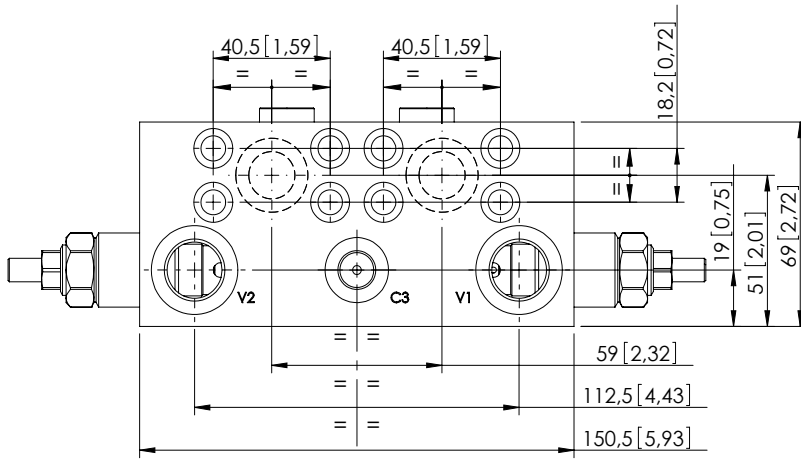
ORDERING CODES

Quick code	Description	Pilot ratio	Main ports size	Standard setting Q=5 l/min (1,3 gpm)	Adjustment range	Pressure increase
MB000195	MBDN-060-ZMNR-11-G12-N250	11:1	V1, V2: G 1/2" C3: G 1/4" C1, C2: 1/2" SAE 6000	250 bar (3600 psi)	60-250 bar (850-3600 psi)	69 bar/turn (1000 psi/turn)

VALVES FOR MOTORS

MBDN-060-ABSF

DUAL PILOT
WITH BRAKE RELEASE



SPECIFICATIONS

Max. operating pressure:	350 bar (5000 psi)
Rated flow:	60 l/min (16 gpm)
Manifold:	Steel
Weight:	2,91 kg (6.42 lbs)
Contamination class to ISO 4406:	See technical spec.
MTF _d :	150 - 1200 years: See technical spec.

NOTES

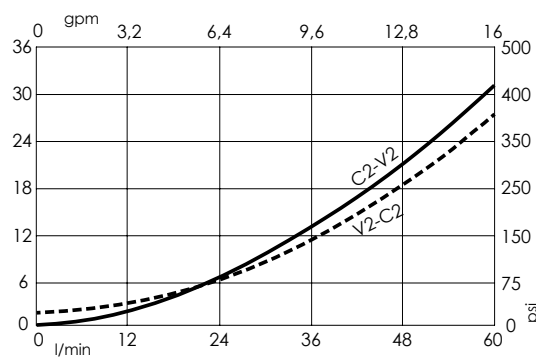
Setting: at least 1.3 times the load induced pressure.
 Designed for REXROTH motors A2FE-28-32 series.
 For other configurations/quick codes not available in this catalogue page please consult factory

SEALING CAP



Ordering code:
AT000020

CURVES



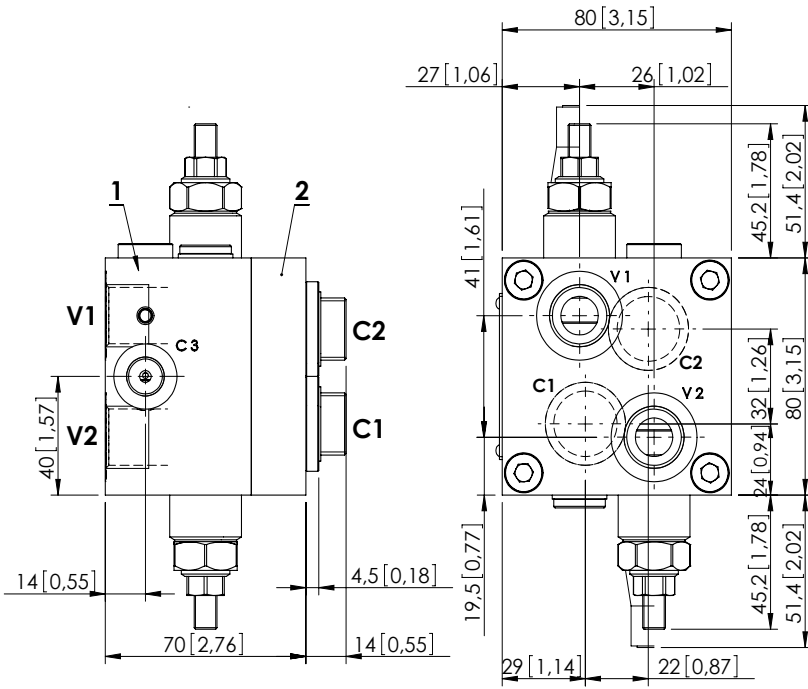
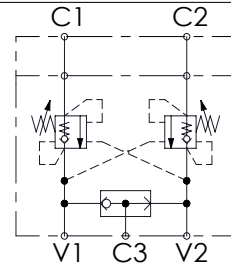
ORDERING CODES

Quick code	Description	Pilot ratio	Main ports size	Standard setting Q=5 l/min (1.3 gpm)	Adjustment range	Pressure increase
MB000868	MBDN-060-ABSF-04-G12-N350	4:1	V1,V2: G1/2" C3,M1,M2: G1/4" C1,C2: Ø14	170 bar (2500 psi)	100-350 bar (1400-5000 psi)	139 bar/turn (2000 psi/turn)

VALVES FOR MOTORS

MBDN-060-LMSF

OVERCENTRE
WITH BRAKE RELEASE



SPECIFICATIONS

Max. operating pressure:	250 bar (3600 psi)
Rated flow:	60 l/min (16 gpm)
Manifold:	Anodized Aluminium
Weight:	1,59 kg (3,51 lbs)
Contamination class to ISO 4406:	See technical spec.
MTF _d :	150 - 1200 years: See technical spec.

NOTES

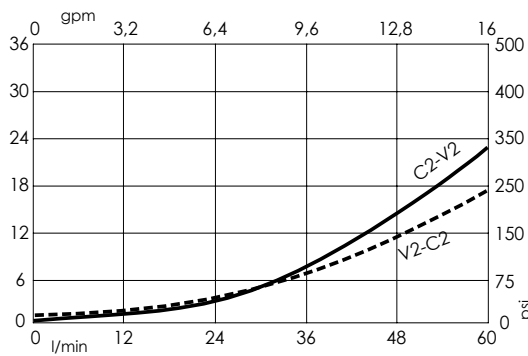
Setting: at least 1.3 times the load induced pressure.
 Designed for OMS motors.
 Valve composed by:
 1.MB000520
 2.MP000012
 For other configurations/quick codes not available in this catalogue page please consult factory

SEALING CAP



Ordering code:
AT000020

CURVES



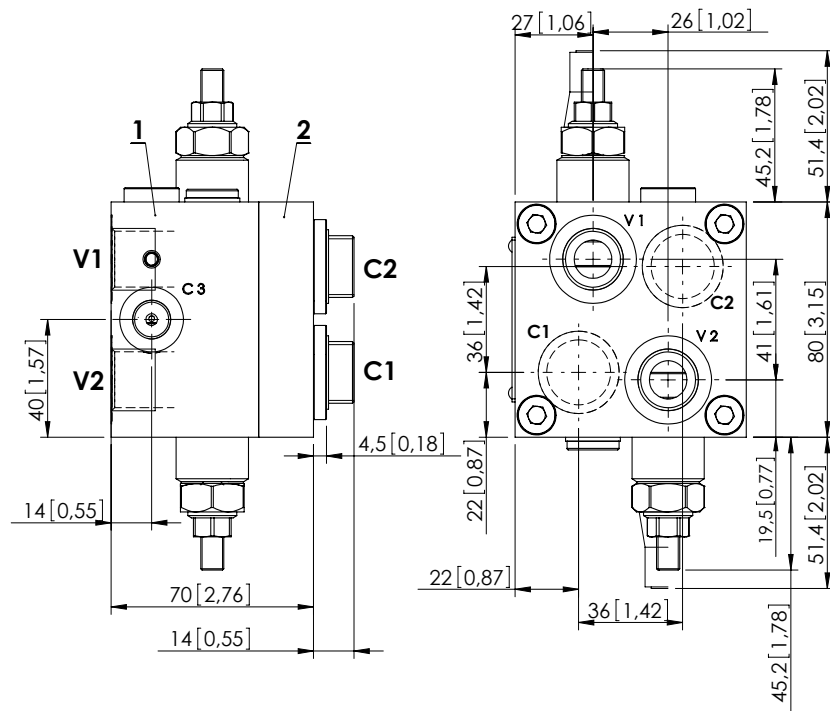
ORDERING CODES

Quick code	Description	Pilot ratio	Main ports size	Standard setting Q=5 l/min (1.3 gpm)	Adjustment range	Pressure increase
MB000036	MBDN-060-LMSF-04-G12-N200-NOMS	4,2:1	V1,V2: G 1/2" C1,C2: OMS flange C3: G 1/4"	200 bar (2900 psi)	60-210 bar (850-3000 psi)	62 bar/turn (900 psi/turn)

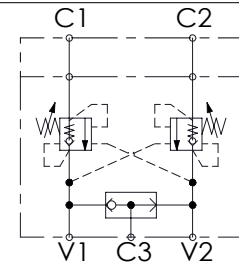
VALVES FOR MOTORS

MBDN-060-LMSF

OVERCENTRE
WITH BRAKE RELEASE



Dimensions: mm [inches]



SPECIFICATIONS

Max. operating pressure:	250 bar (3600 psi)
Rated flow:	60 l/min (16 gpm)
Manifold:	Anodized Aluminium
Weight:	1,59 kg (3,51 lbs)
Contamination class to ISO 4406:	See technical spec.
MTF _d :	150 - 1200 years: See technical spec.

NOTES

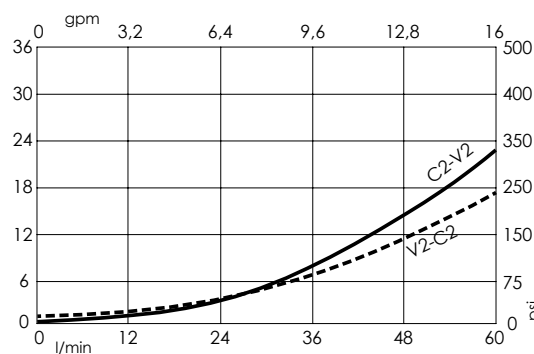
Setting: at least 1.3 times the load induced pressure.
 Designed for OMP motors
 Valve composed by:
 1.MB000520
 2.MP000013
 For other configurations/quick codes not available in this catalogue page please consult factory

SEALING CAP



Ordering code:
AT000020

CURVES



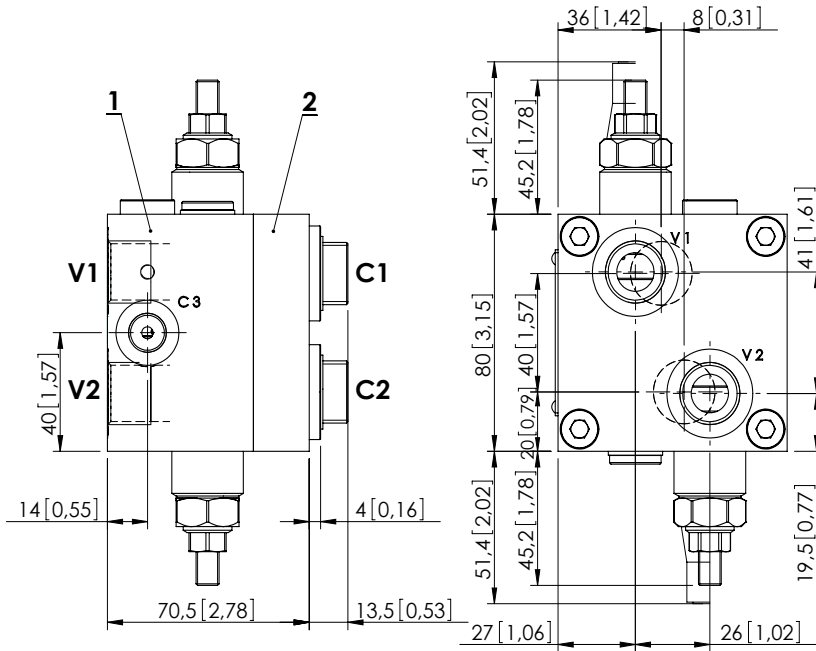
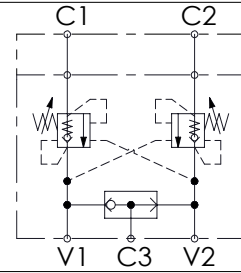
ORDERING CODES

Quick code	Description	Pilot ratio	Main ports size	Standard setting Q=5 l/min (1.3 gpm)	Adjustment range	Pressure increase
MB000208	MBDN-060-LMSF-04-G12-N200-NOMP	4,2:1	V1,V2: G 1/2" C1,C2: OMP flange C3: G 1/4"	200 bar (2900 psi)	60-210 bar (850-3000 psi)	62 bar/turn (900 psi/turn)

VALVES FOR MOTORS

MBDN-060-AMSF

OVERCENTRE
WITH BRAKE RELEASE



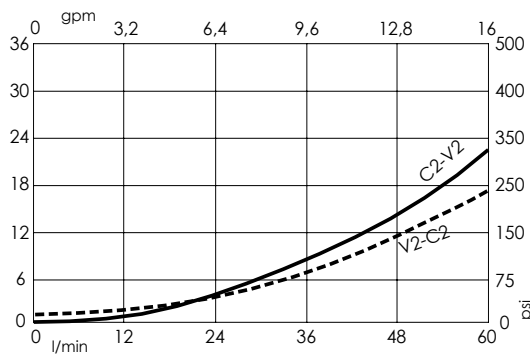
SPECIFICATIONS

Max. operating pressure:	350 bar (5000 psi)
Rated flow:	60 l/min (16 gpm)
Manifold:	Steel
Weight:	3,46 kg (7,58 lbs)
Contamination class to ISO 4406:	See technical spec.
MTF _a :	150 - 1200 years: See technical spec.

NOTES

Setting: at least 1.3 times the load induced pressure.
 Designed for SAM HYDRAULIK BR motors.
 Valve composed by:
 1.MB000619
 2.MP000034
 For other configurations/quick codes not available in this catalogue page please consult factory

CURVES



SEALING CAP



Ordering code:
AT000020

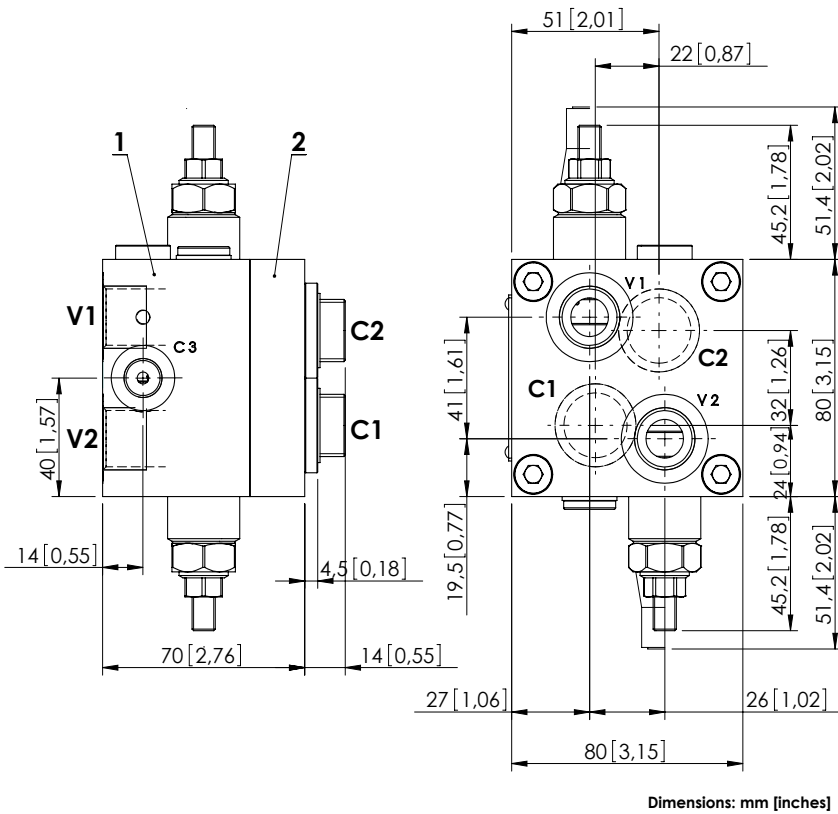
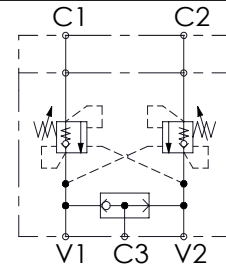
ORDERING CODES

Quick code	Description	Pilot ratio	Main ports size	Standard setting Q=5 l/min (1,3 gpm)	Adjustment range	Pressure increase
MB000317	MBDN-060-AMSF-04-G12-N200-SH BR	4,2:1	V1, V2: G 1/2" C1, C2: Sam Hydraulik flange C3: G 1/4"	200 bar (2900 psi)	60-210 bar (850-3000 psi)	62 bar/turn (900 psi/turn)

VALVES FOR MOTORS

MBDN-060-AMSF

OVERCENTRE
WITH BRAKE RELEASE



SPECIFICATIONS

Max. operating pressure:	350 bar (5000 psi)
Rated flow:	60 l/min (16 gpm)
Manifold:	Steel
Weight:	3,46 kg (7.63 lbs)
Contamination class to ISO 4406:	See technical spec.
MTTF _a :	150 - 1200 years: See technical spec.

NOTES

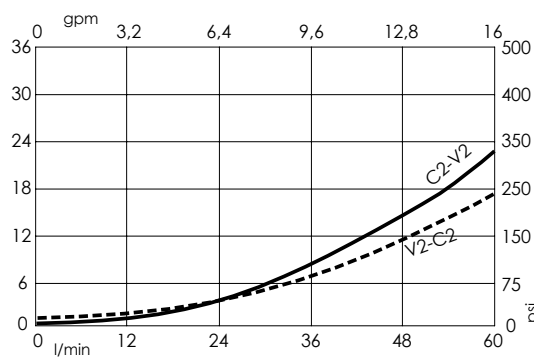
Setting: at least 1.3 times the load induced pressure.
 Designed for SAM HYDRAULIC HR/OMS motors.
 Valve composed by:
 1.MB000619
 2.MP000030
 For other configurations/quick codes not available in this catalogue page please consult factory

SEALING CAP



Ordering code:
AT000020

CURVES



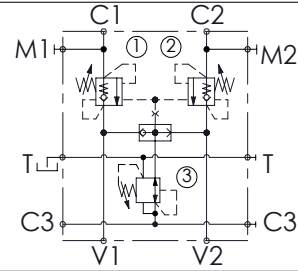
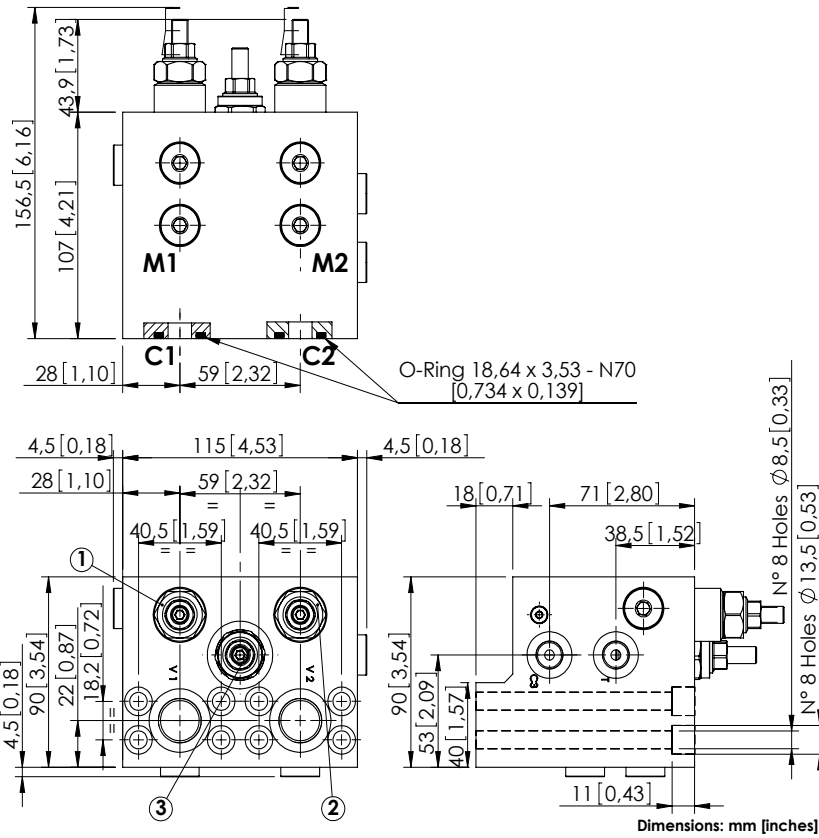
ORDERING CODES

Quick code	Description	Pilot ratio	Main ports size	Standard setting Q=5 l/min (1.3 gpm)	Adjustment range	Pressure increase
MB000319	MBDN-060-AMSF-04-G12-N200-SH HR	4,2:1	V1, V2: G 1/2" C1, C2: Sam Hydraulic HR /OMS C3: G 1/4"	200 bar (2900 psi)	60-210 bar (850-3000 psi)	62 bar/turn (900 psi/turn)

VALVES FOR MOTORS

MBDN-060-AMSR

OVERCENTRE
WITH BRAKE RELEASE



SPECIFICATIONS

Max. operating pressure:	420 bar (6000 psi)
Rated flow:	60 l/min (16 gpm)
Manifold:	Steel
Weight:	7,03 kg (15,52 lbs)
Contamination class to ISO 4406:	See technical spec.
MTF _a :	150 - 1200 years: See technical spec.

NOTES

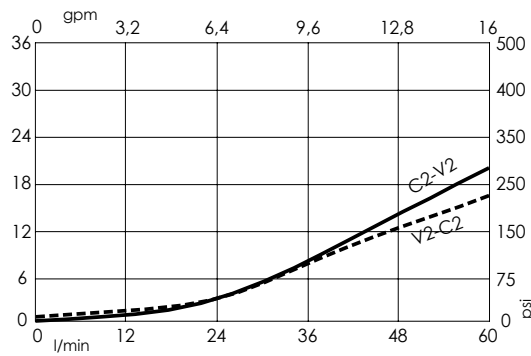
Setting: at least 1.3 times the load induced pressure.
 Designed for REXROTH A2FE 28-32 motors.
 For other configurations/quick codes not available in this catalogue page please consult factory

SEALING CAP



Ordering code:
AT000020

CURVES



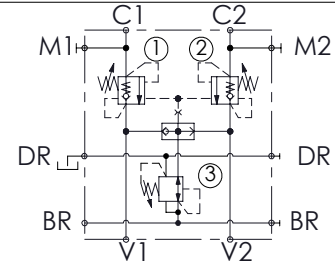
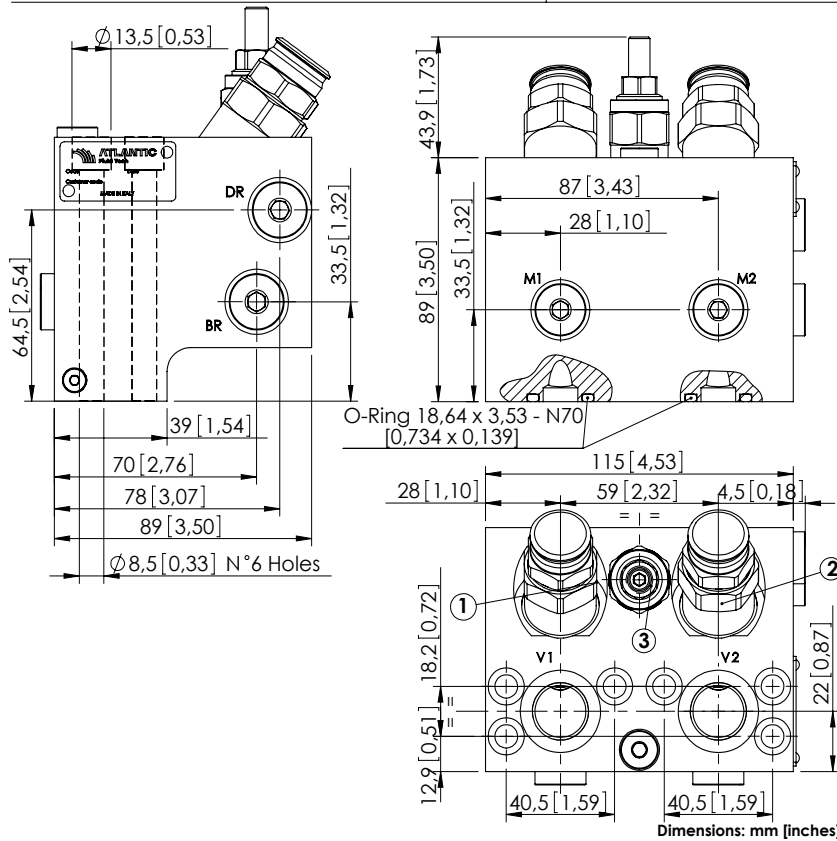
ORDERING CODES

Quick code	Description	Pilot ratio	Main ports size	Standard setting Q=5 l/min (1,3 gpm)	Adjustment range	Pressure increase
MB000483	MBDN-060-AMSR-11-S12-N420	11:1	V1,V2:G1/2" C1,C2:1/2 SAE 6000 C3,T,M1,M2:G1/4"	①② 350 bar (5000 psi) ③ 50 bar (700 psi)	①② 80-350 bar (1100-5000 psi) ③ 10-60 bar (150-850 psi)	①② 161 bar/turn (2300 psi/turn) ③ 6 bar/turn (85 psi/turn)

VALVES FOR MOTORS

MBDN-100-AMSR

OVERCENTRE
WITH BRAKE RELEASE



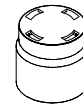
SPECIFICATIONS

Max. operating pressure:	420 bar (6000 psi)
Rated flow:	100 l/min (26 gpm)
Manifold:	Steel
Weight:	5,82 kg (12,85 lbs)
Contamination class to ISO 4406:	See technical spec.
MTTF:	150 - 1200 years: See technical spec.

NOTES

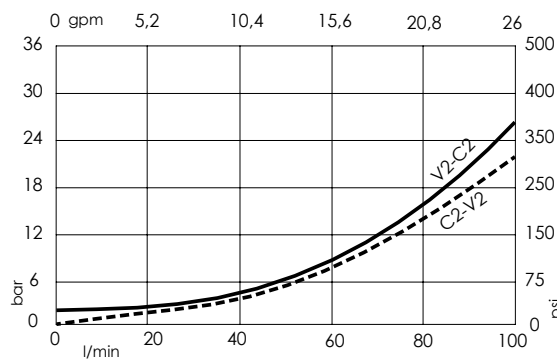
Setting: at least 1.3 times the load induced pressure.
 Designed for REXROTH A2FE 28-32 motors.
 For other configurations/quick codes not available in this catalogue page please consult factory

SEALING CAP



Ordering code:
PT000243

CURVES



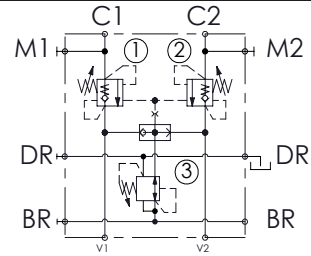
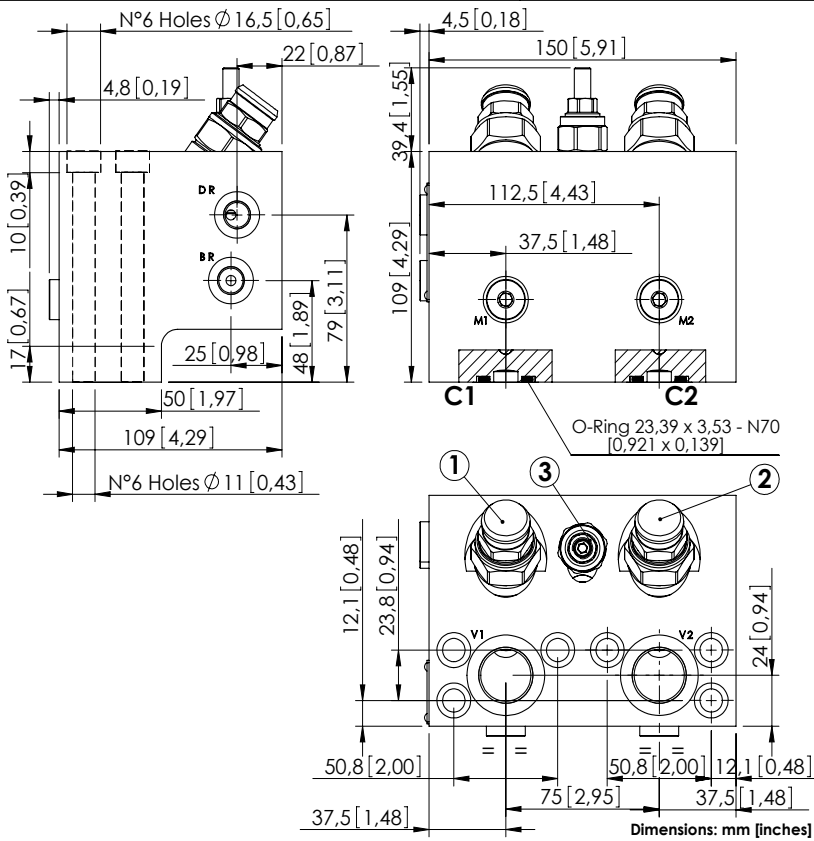
ORDERING CODES

Quick code	Description	Pilot ratio	Main ports size	Standard setting Q=5 l/min (1,3 gpm)	Adjustment range	Pressure increase
MB000484	MBDN-100-AMSR-04-S12-N420	3,8:1	V1, V2: G1/2" C1, C2: 1/2" SAE 6000 DR, BR, M1, M2: G1/4"	① ② 350 bar (5000 psi) ③ 40 bar (550 psi)	① ② 100-350 bar (1400-5000 psi) ③ 10-60 bar (150-850 psi)	① ② 118 bar/turn (1700 psi/turn) ③ 6 bar/turn (85 psi/turn)
MB000766	MBDN-100-AMSR-08-S12-N420	8:1	V1, V2: G1/2" C1, C2: 1/2" SAE 6000 DR, BR, M1, M2: G1/4"	① ② 350 bar (5000 psi) ③ 40 bar (550 psi)	① ② 100-350 bar (1400-5000 psi) ③ 10-60 bar (150-850 psi)	① ② 132 bar/turn (1900 psi/turn) ③ 6 bar/turn (85 psi/turn)

VALVES FOR MOTORS

MBDN-150-AMSR

OVERCENTRE
WITH BRAKE RELEASE



SPECIFICATIONS

Max. operating pressure:	420 bar (6000 psi)
Rated flow:	150 l/min (40 gpm)
Manifold:	Steel
Weight:	11,01 kg(24,24 lbs)
Contamination class to ISO 4406:	See technical spec.
MTF _a :	150 - 1200 years: See technical spec.

NOTES

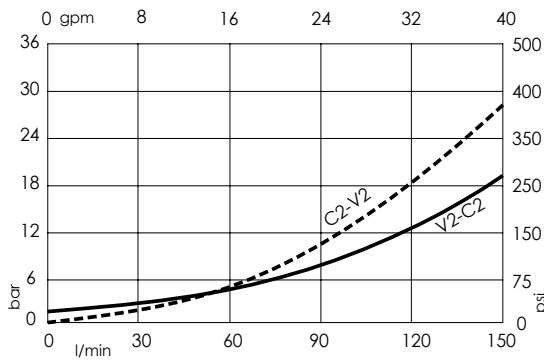
Setting: at least 1.3 times the load induced pressure.
 Designed for REXROTH A2FE 45-56-63 motors.
 For other configurations/quick codes not available in this catalogue page please consult factory

SEALING CAP



Ordering code:
ST000012

CURVES



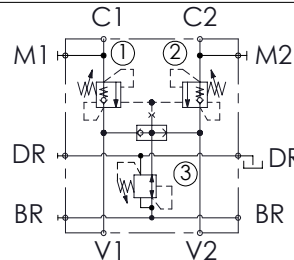
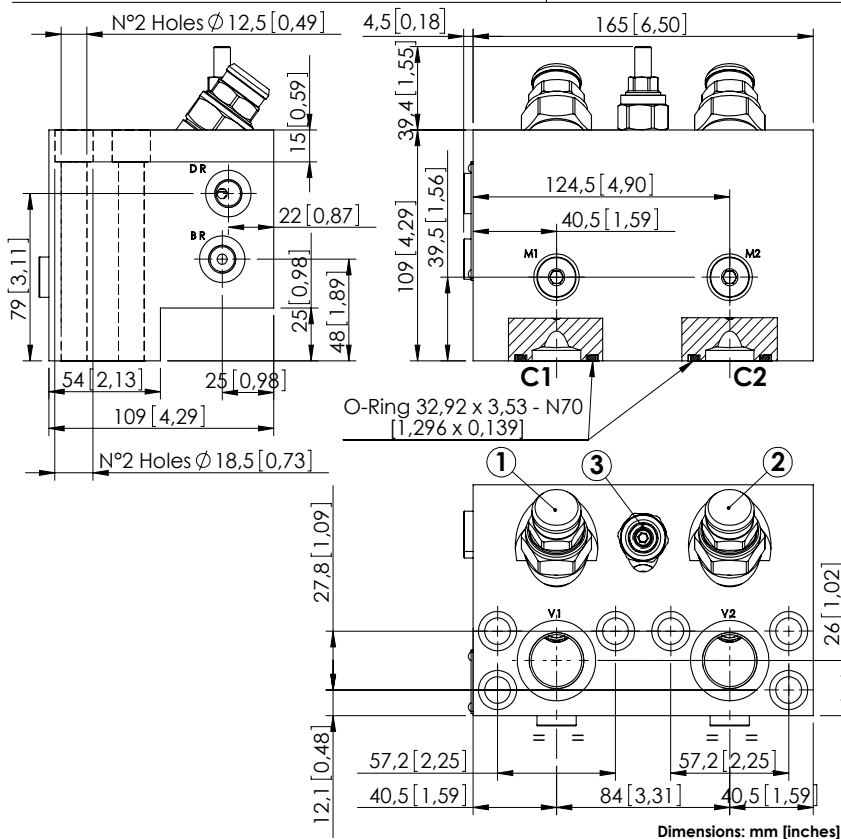
ORDERING CODES

Quick code	Description	Pilot ratio	Main ports size	Standard setting Q=5 l/min (1,3 gpm)	Adjustment range	Pressure increase
MB000347	MBDN-150-AMSR-04-S34-N420	4:1	V1, V2: G3/4" C1, C2: 3/4" SAE 6000 BR, DR, M1, M2: G1/4"	① ② 350 bar (5000 psi) ③ 30 bar (400 psi)	① ② 100-350 bar (1400-5000 psi) ③ 10-60 bar (150-850 psi)	① ② 104 bar/turn (1500 psi/turn) ③ 6 bar/turn (85 psi/turn)
MB000350	MBDN-150-AMSR-08-S34-N420	8:1	V1, V2: G3/4" C1, C2: 3/4" SAE 6000 BR, DR, M1, M2: G1/4"	① ② 350 bar (5000 psi) ③ 30 bar (400 psi)	① ② 100-350 bar (1400-5000 psi) ③ 10-60 bar (150-850 psi)	① ② 82 bar/turn (1200 psi/turn) ③ 6 bar/turn (85 psi/turn)

VALVES FOR MOTORS

MBDN-150-AMSR

OVERCENTRE
WITH BRAKE RELEASE



SPECIFICATIONS

Max. operating pressure:	420 bar (6000 psi)
Rated flow:	150 l/min (40 gpm)
Manifold:	Steel
Weight:	12,06 kg (26,61 lbs)
Contamination class to ISO 4406:	See technical spec.
MTF _d :	150 - 1200 years: See technical spec.

NOTES

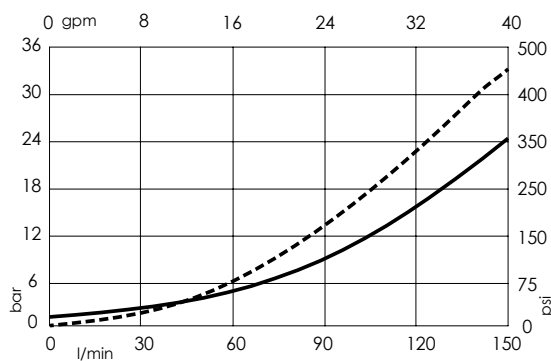
Setting: at least 1.3 times the load induced pressure.
Designed for REXROTH A2FE 80-90 motors.
For other configurations/quick codes not available in this catalogue page please consult factory

SEALING CAP



Ordering code:
ST000012

CURVES



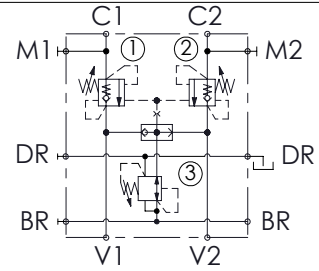
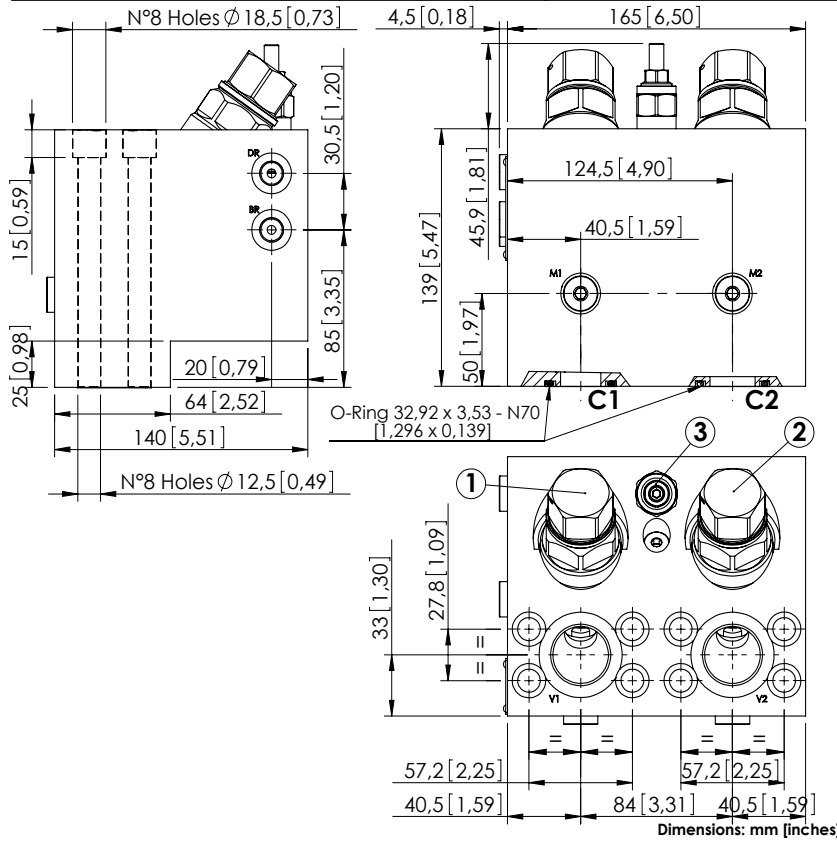
ORDERING CODES

Quick code	Description	Pilot ratio	Main ports size	Standard setting Q=5 l/min (1,3 gpm)	Adjustment range	Pressure increase
MB000477	MBDN-150-AMSR-04-S10-N420	4:1	V1,V2:G 3/4" C1,C2: 1" SAE 6000 BR,DR:G 1/4"	① ② 350 bar (5000 psi) ③ 40 bar (600 psi)	① ② 100-350 bar (1400-5000 psi) ③ 10-60 bar (150-850 psi)	① ② 104 bar/turn (1500 psi/turn) ③ 6 bar/turn (85 psi/turn)

VALVES FOR MOTORS

MBDN-300-AMSR

OVERCENTRE
WITH BRAKE RELEASE



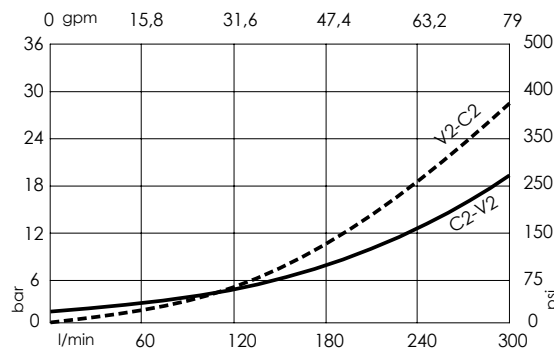
SPECIFICATIONS

Max. operating pressure:	420 bar (6000 psi)
Rated flow:	300 l/min (79 gpm)
Manifold:	Steel
Weight:	20,43 kg (45,09 lbs)
Contamination class to ISO 4406:	See technical spec.
MTTF _a :	150 - 1200 years: See technical spec.

NOTES

Setting: at least 1.3 times the load induced pressure.
 Designed for REXROTH A2FE 80-90 motors.
 For other configurations/quick codes not available in this catalogue page please consult factory

CURVES



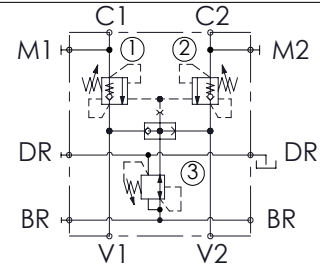
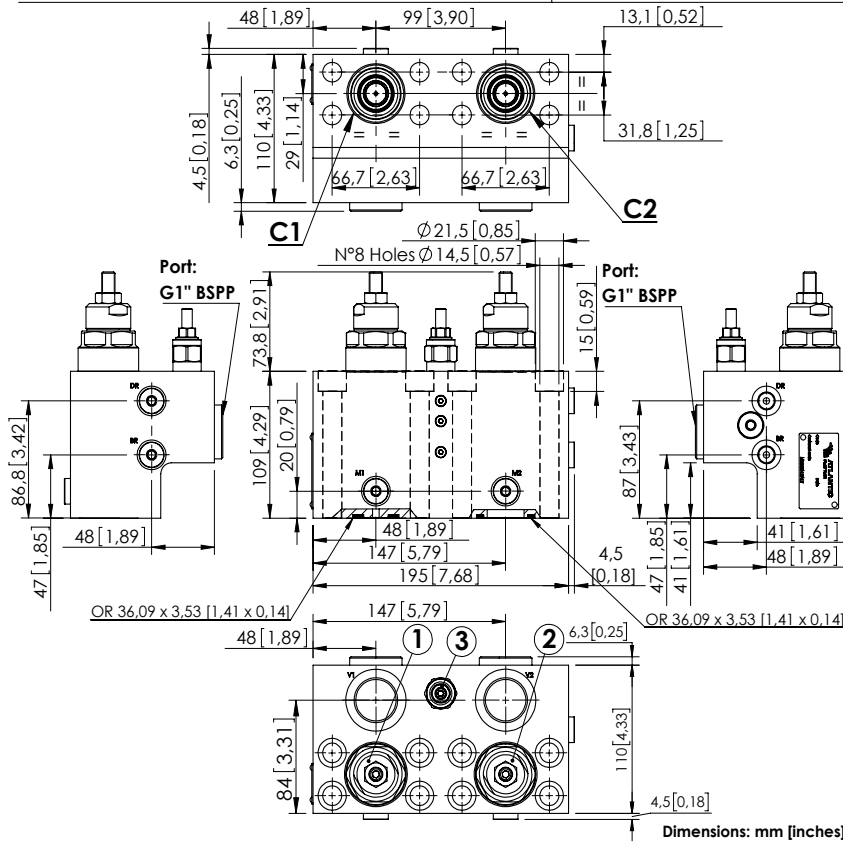
ORDERING CODES

Quick code	Description	Pilot ratio	Main ports size	Standard setting Q=5 l/min (1,3 gpm)	Adjustment range	Pressure increase
MB000402	MBDN-300-AMSR-04-S10-N420	4:1	V1,V2: G 1" C1,C2: 1" SAE 6000 BR,DR,M1,M2: G 1/4"	①② 350 bar (5000 psi) ③ 30 bar (400 psi)	①② 100-350 bar (1400-5000 psi) ③ 10-60 bar (150-850 psi)	①② 75 bar/turn (1100 psi/turn) ③ 6 bar/turn (85 psi/turn)
MB000349	MBDN-300-AMSR-06-S10-N420	6:1	V1,V2: G 1" C1,C2: 1" SAE 6000 BR,DR,M1,M2: G 1/4"	①② 350 bar (5000 psi) ③ 30 bar (400 psi)	①② 100-420 bar (1400-6000 psi) ③ 10-60 bar (150-850 psi)	①② 62 bar/turn (900 psi/turn) ③ 6 bar/turn (85 psi/turn)

VALVES FOR MOTORS

MBDN-320-AMSR

OVERCENTRE
WITH BRAKE RELEASE



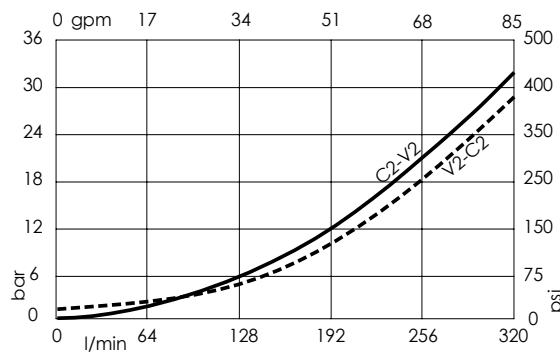
SPECIFICATIONS

Max. operating pressure:	350 bar (5000 psi)
Rated flow:	320 l/min (85 gpm)
Manifold:	Steel
Weight:	13,7 kg (30.2 lbs)
Contamination class to ISO 4406:	See technical spec.
MTTF _a :	150 - 1200 years: See technical spec.

NOTES

Setting: at least 1.3 times the load induced pressure.
 Designed for REXROTH A2FE 107-125 160-180 motors.
 For other configurations/quick codes not available in this catalogue page please consult factory

CURVES



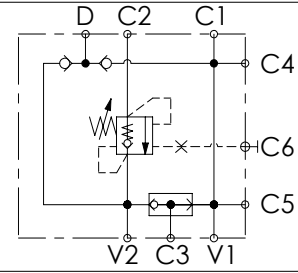
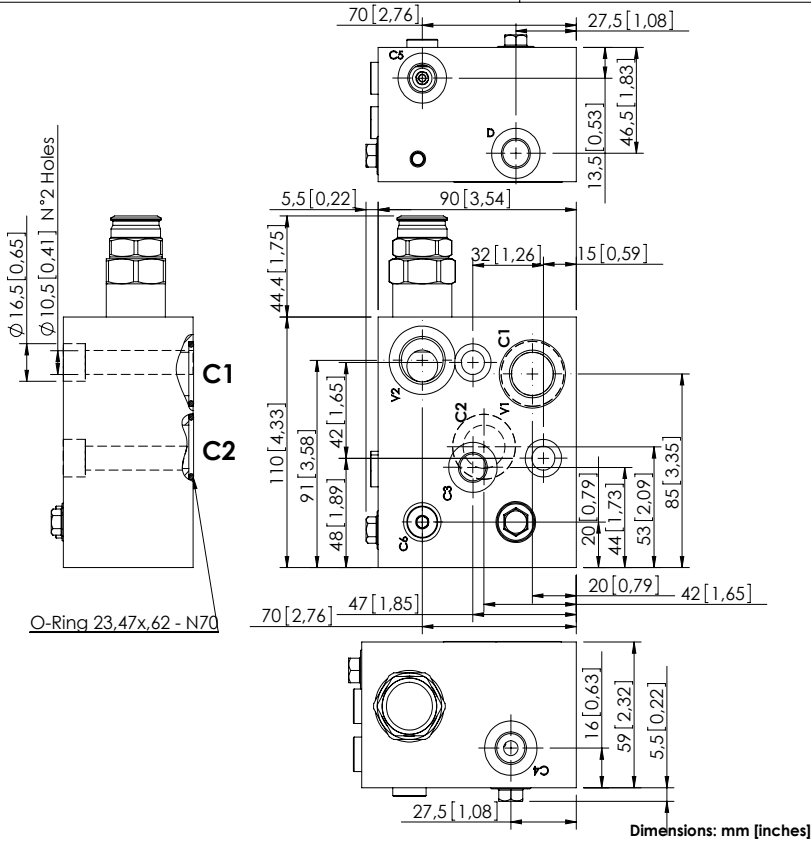
ORDERING CODES

Quick code	Description	Pilot ratio	Main ports size	Standard setting Q=5 l/min (1,3 gpm)	Adjustment range	Pressure increase
MB000563	MBDN-320-AMSR-08-S11-N350	8:1	V1, V2: G 1" C1, C2: 1-1/4" SAE 6000 BR, DR, M1, M2: G 1/4"	① ② 350 bar (5000 psi) ③ 40 bar (550 psi)	① ② 140-350 bar (2000-5000 psi) ③ 10-60 bar (150-850 psi)	① ② 56 bar/turn (800 psi/turn) ③ 6,5 bar/turn (100 psi/turn)

VALVES FOR WINCHES

MBSN-100-ZMSF

PILOT ASSISTED
OVERCENTRE



SPECIFICATIONS

Max. operating pressure:	350 bar (5000 psi)
Rated flow:	100 l/min (26 gpm)
Manifold:	Aluminium
Weight:	1,61 kg (3,55 lbs)
Contamination class to ISO 4406:	See technical spec.
MTF _d :	150 - 1200 years: See technical spec.

NOTES

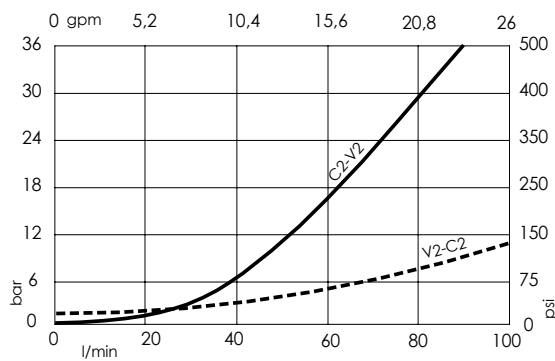
Setting: at least 1.3 times the load induced pressure.
 Designed for DANFOSS motors OMS series.
 For other configurations/quick codes not available in this catalogue page please consult factory

SEALING CAP



Ordering code:
PT000243

CURVES



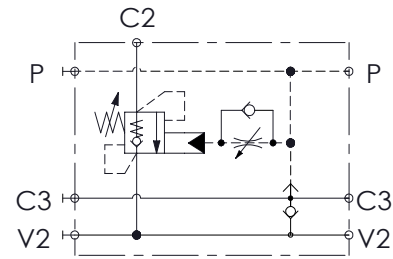
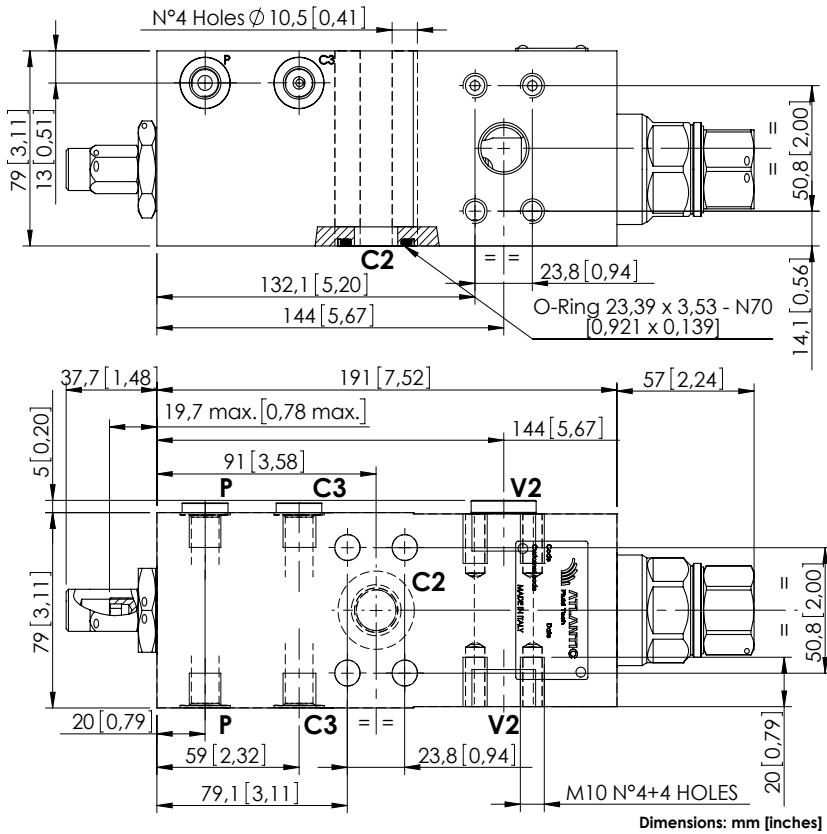
ORDERING CODES

Quick code	Description	Pilot ratio	Main ports size	Standard setting Q=5 l/min (1,3 gpm)	Adjustment range	Pressure increase
MB000925	MBSN-100-ZMSF-04-G12-N350	4:1	V1, V2: G1/2" C6: G1/8" C1, C2: Ø19 D, C3, C4, C5: G1/4"	250 bar (3600 psi)	100-350 bar (1400-5000 psi)	124 bar/turn (1800 psi/turn)

VALVES FOR WINCHES

MBSN-250-AMSF

SINGLE ACTING
WITH BRAKE RELEASE



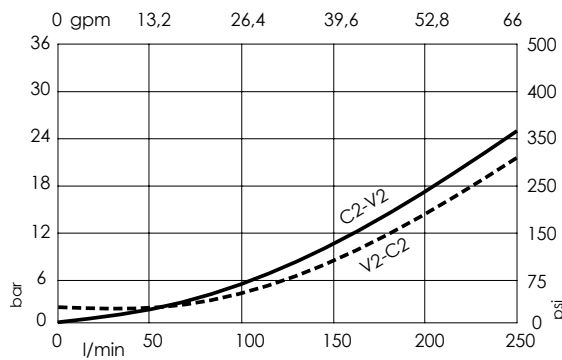
SPECIFICATIONS

Max. operating pressure:	500 bar (7200 psi)
Rated flow:	250 l/min (66 gpm)
Manifold:	Steel
Weight:	8,97 kg (19,89 lbs)
Contamination class to ISO 4406:	See technical spec.
MTF _d :	150 - 1200 years: See technical spec.

NOTES

Setting: at least 1.3 times the load induced pressure.
For other configurations/quick codes not available in this catalogue page please consult factory

CURVES



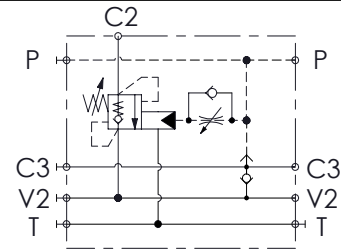
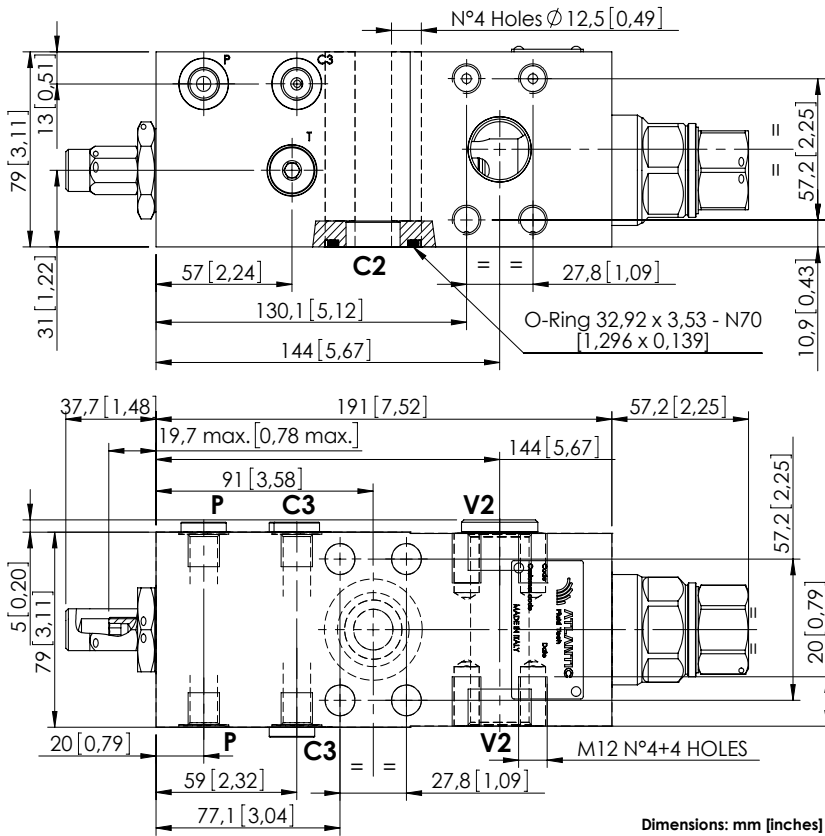
ORDERING CODES

Quick code	Description	Pilot ratio	Main ports size	Standard setting Q=5 l/min (1.3 gpm)	Adjustment range	Pressure increase
MB000663	MBSN-250-AMSF-13-S34-N500	13:1	C2,V2 : 3/4" SAE 6000 P,C3 : G 1/4"	500 bar (7200 psi)	250-500 bar (3600-7200 psi)	104 bar/turn (1500 psi/turn)

VALVES FOR WINCHES

MBSN-300-AMSF

SINGLE ACTING
WITH BRAKE RELEASE



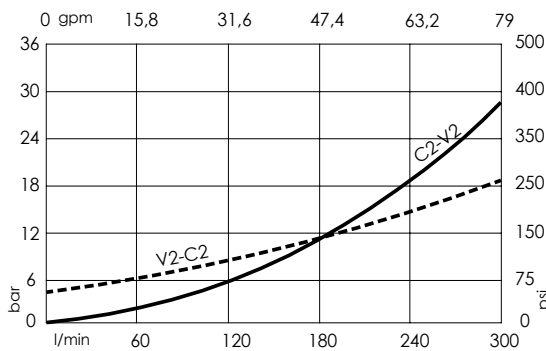
SPECIFICATIONS

Max. operating pressure:	500 bar (7200 psi)
Rated flow:	300 l/min (79 gpm)
Manifold:	Steel
Weight:	8,76 kg (19,31 lbs)
Contamination class to ISO 4406:	See technical spec.
MTF _a :	150 - 1200 years: See technical spec.

NOTES

Setting: at least 1.3 times the load induced pressure.
For other configurations/quick codes not available in this catalogue page please consult factory

CURVES



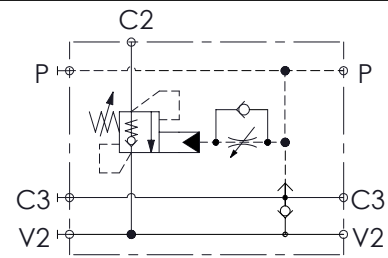
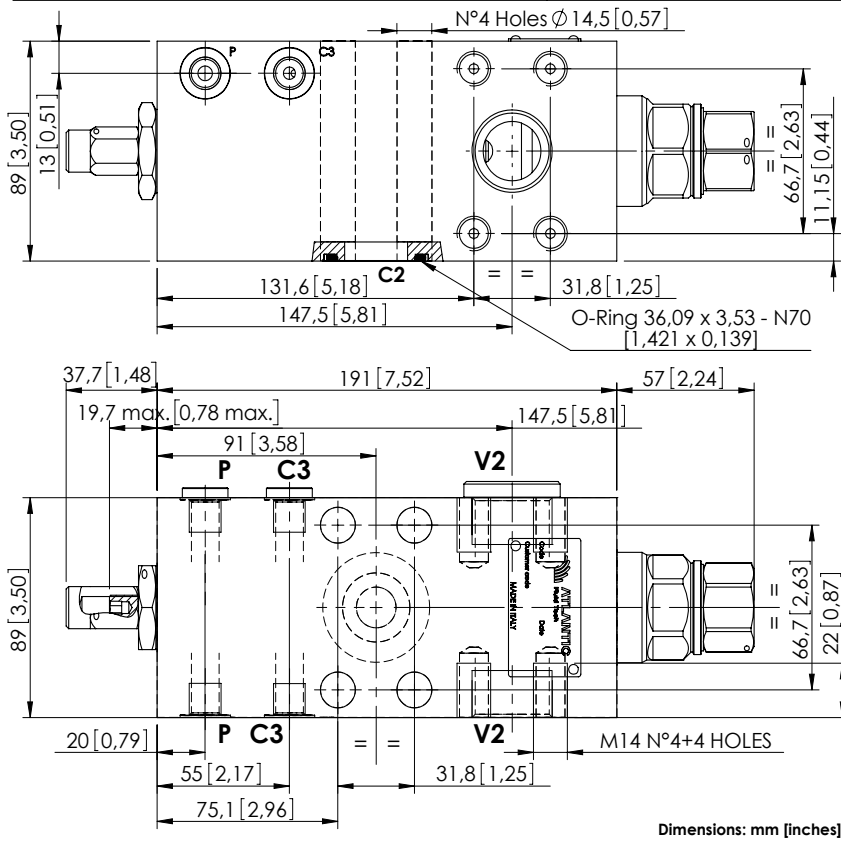
ORDERING CODES

Quick code	Description	Pilot ratio	Main ports size	Standard setting Q=5 l/min (1.3 gpm)	Adjustment range	Pressure increase
MB000664	MBSN-300-AMSF-13-S10-N500	13:1	C2,V2 : 1" SAE 6000 P,C3 : G 1/4"	500 bar (7200 psi)	250-500 bar (3600-7200 psi)	104 bar/turn (1500 psi/turn)

VALVES FOR WINCHES

MBSN-300-AMSF

SINGLE ACTING
WITH BRAKE RELEASE



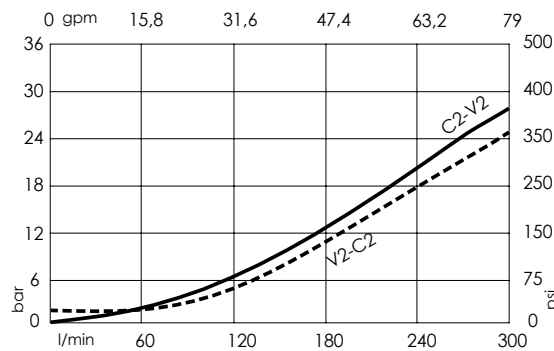
SPECIFICATIONS

Max. operating pressure:	500 bar (7200 psi)
Rated flow:	300 l/min (79 gpm)
Manifold:	Steel
Weight:	10,93 kg (24,1 lbs)
Contamination class to ISO 4406:	See technical spec.
MTTF:	150 - 1200 years: See technical spec.

NOTES

Setting: at least 1.3 times the load induced pressure.
For other configurations/quick codes not available in this catalogue page please consult factory

CURVES



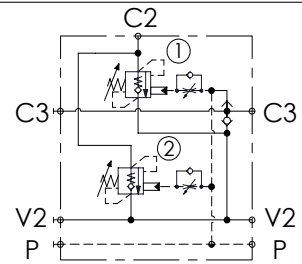
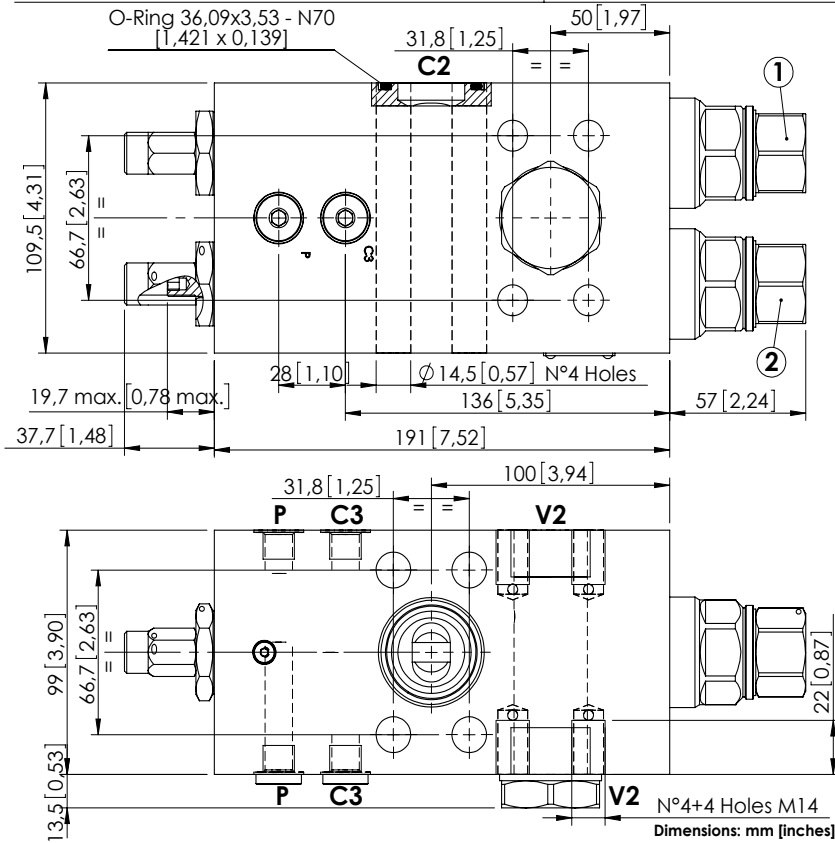
ORDERING CODES

Quick code	Description	Pilot ratio	Main ports size	Standard setting Q=5 l/min (1.3 gpm)	Adjustment range	Pressure increase
MB000665	MBSN-300-AMSF-13-S11-N500	13:1	C2,V2 : 1-1/4" SAE 6000 P11,C3 : G 1/4"	500 bar (7200 psi)	250-500 bar (3600-7200 psi)	104 bar/turn (1500 psi/turn)

VALVES FOR WINCHES

MBDN-500-AMSF

DOUBLE ACTING
WITH BRAKE RELEASE



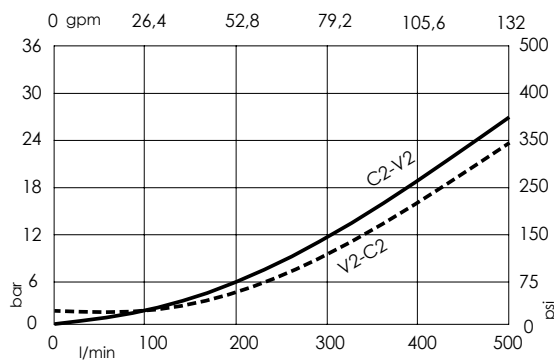
SPECIFICATIONS

Max. operating pressure:	500 bar (7200 psi)
Rated flow:	500 l/min (132 gpm)
Manifold:	Steel
Weight:	15,22 kg (33,55 lbs)
Contamination class to ISO 4406:	See technical spec.
MTF _d :	150 - 1200 years: See technical spec.

NOTES

Setting: at least 1.3 times the load induced pressure.
For other configurations/quick codes not available in this catalogue page please consult factory

CURVES



ORDERING CODES

Quick code	Description	Pilot ratio	Main ports size	Standard setting Q=5 l/min (1,3 gpm)	Adjustment range	Pressure increase
MB000676	MBDN-500-AMSF-13-S11-N500	13:1	C2,V2: 1-1/4" SAE 6000 P,E,C3: G 1/4"	500 bar (7200 psi)	250-500 bar (3600-7200 psi)	104 bar/turn (1500 psi/turn)