

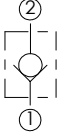
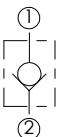
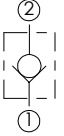
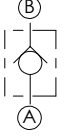


ATLANTIC
Fluid Tech

**SECTION
4**

Check Valves

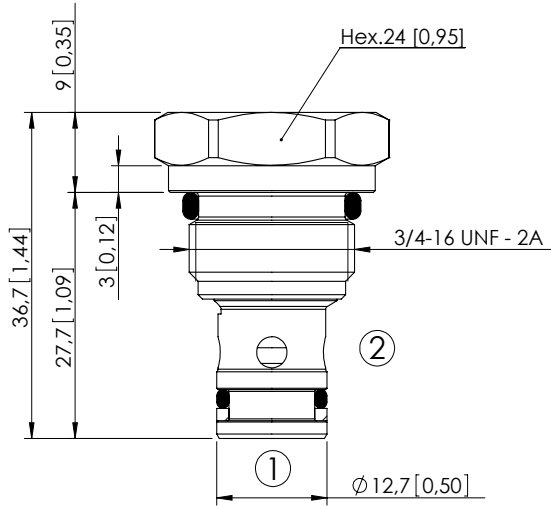
CHECK VALVES

Hydraulic scheme	Valve description	Valve type	Rated flow l/min (gpm)	Max. pressure bar (psi)	Installation	Main port size or cavity type	Page
	CDVN-050-PSNR	Poppet type	50 (13)	350 (5000)	Cartridge	SAE-08-2N	4.01.010
	CDVN-080-PSNR	Poppet type	80 (21)	350 (5000)	Cartridge	SAE-10-2N	4.01.020
	CDVN-120-PSNR	Poppet type	120 (32)	350 (5000)	Cartridge	SAE-12-2N	4.01.030
	CDVN-010-PAGS	Poppet type, monodirectional	10 (3)	500 (7200)	Cartridge	G 1/8"	4.02.040
	CDVN-020-PAGS	Poppet type, monodirectional	20 (5)	500 (7200)	Cartridge	G 1/4"	4.02.040
	CDVN-050-PAGS	Poppet type, monodirectional	50 (13)	500 (7200)	Cartridge	G 3/8"	4.02.040
	CDVN-080-PAGS	Poppet type, monodirectional	80 (21)	500 (7200)	Cartridge	G 1/2"	4.02.040
	CDVN-120-PAGS	Poppet type, monodirectional	120 (32)	500 (7200)	Cartridge	G 3/4"	4.02.040
	CDVN-010-PANS	Poppet type, monodirectional	10 (3)	500 (7200)	Cartridge	G 1/8"	4.01.050
	CDVN-020-PANS	Poppet type, monodirectional	20 (5)	500 (7200)	Cartridge	G 1/4"	4.01.050
	CDVN-050-PANS	Poppet type, monodirectional	50 (13)	500 (7200)	Cartridge	G 3/8"	4.01.050
	CDVN-080-PANS	Poppet type, monodirectional	80 (21)	500 (7200)	Cartridge	G 1/2"	4.01.050
	CDVN-120-PANS	Poppet type, monodirectional	120 (32)	500 (7200)	Cartridge	G 3/4"	4.01.050
	CDVN-010-DSNS	Disk type, bidirectional, not leak proof	10 (3)	350 (5000)	Insert	G1/4"	4.03.060
	CDVN-030-DSNS	Disk type, bidirectional, not leak proof	30 (8)	350 (5000)	Insert	G3/8"	4.03.060
	CDVN-070-DSNS	Disk type, bidirectional, not leak proof	70 (19)	350 (5000)	Insert	G1/2"	4.03.060

CHECK VALVE

CDVN-050-PSNR

POPPET TYPE



Dimensions: mm [inches]

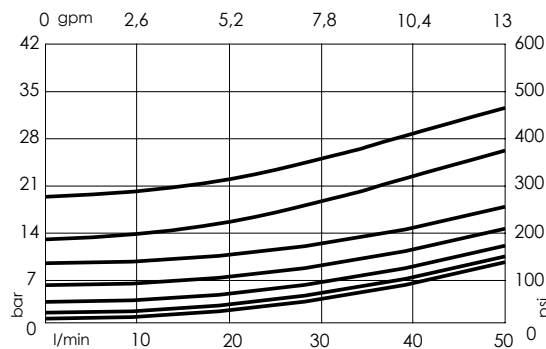
SPECIFICATIONS

Max. operating pressure:	350 bar (5000 psi)
Rated flow:	50 l/min (13 gpm)
Cavity:	SAE-08-2N
Weight:	0,06 kg (0,13 lbs)
Contamination class to ISO 4406:	See technical spec.
Seal kit:	RA700081
Installation torque:	45 - 50 Nm (33 - 37 ft-lb)
MTF _a :	150 - 1200 years: See technical spec.

NOTES

For other configurations/quick codes not available in this catalogue page please consult factory

CURVES



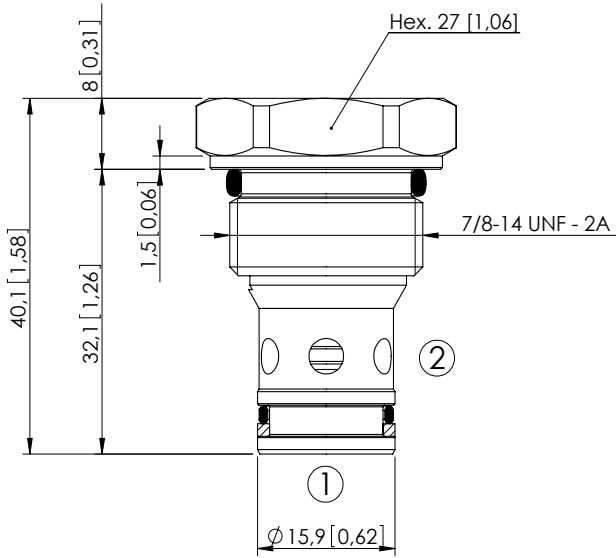
ORDERING CODES

Quick code	Description	Cracking pressure
CD000099	CDVN-050-PSNR-FN-S08-N000	0,35 bar (5 psi)
CD000024	CDVN-050-PSNR-FN-S08-N001	1 bar (15 psi)
CD000039	CDVN-050-PSNR-FN-S08-N003	3 bar (50 psi)
CD000269	CDVN-050-PSNR-FN-S08-N006	6 bar (75 psi)
CD000471	CDVN-050-PSNR-FN-S08-N009	9,5 bar (125 psi)
CD000070	CDVN-050-PSNR-FN-S08-N013	13 bar (175 psi)
CD000620	CDVN-050-PSNR-FN-S08-N020	20 bar (290 psi)

CHECK VALVE

CDVN-080-PSNR

POPPET TYPE



SPECIFICATIONS

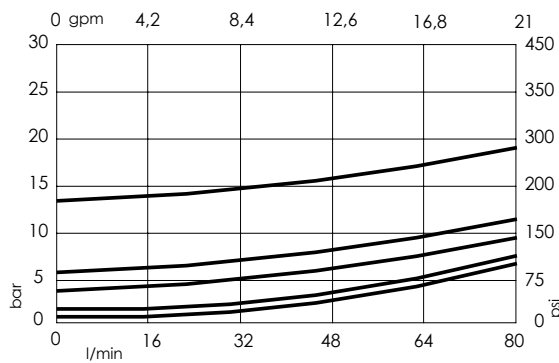
Max. operating pressure:	350 bar (5000 psi)
Rated flow:	80 l/min (21 gpm)
Cavity:	SAE-10-2N
Weight:	0,09 kg (0,2 lbs)
Contamination class to ISO 4406:	See technical spec.
Seal kit:	RA700082
Installation torque:	55 - 62 Nm (41 - 46 ft-lb)
MTF _d :	150 - 1200 years: See technical spec.

Dimensions: mm [inches]

NOTES

For other configurations/quick codes not available in this catalogue page please consult factory

CURVES



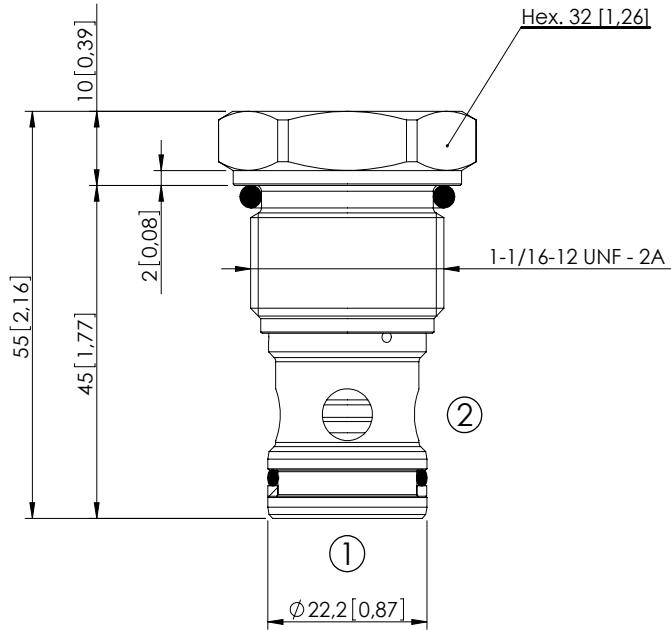
ORDERING CODES

Quick code	Description	Cracking pressure
CD000100	CDVN-080-PSNR-FN-S10-N000	0,35 bar (5 psi)
CD000023	CDVN-080-PSNR-FN-S10-N001	1 bar (15 psi)
CD000169	CDVN-080-PSNR-FN-S10-N002	2 bar (30 psi)
CD000101	CDVN-080-PSNR-FN-S10-N005	5,5 bar (75 psi)
CD000092	CDVN-080-PSNR-FN-S10-N007	7 bar (100 psi)
CD000082	CDVN-080-PSNR-FN-S10-N013	13 bar (200 psi)

CHECK VALVE

CDVN-120-PSNR

POPPET TYPE



SPECIFICATIONS

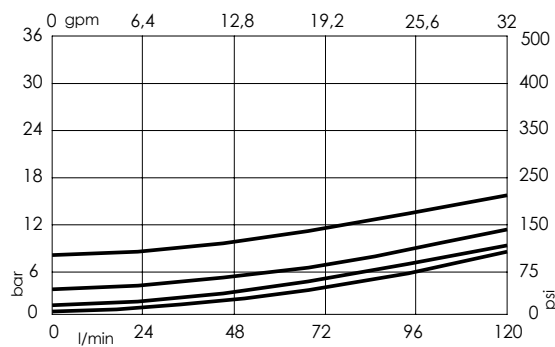
Max. operating pressure:	350 bar (5000 psi)
Rated flow:	120 l/min (32 gpm)
Cavity:	SAE-12-2N
Weight:	0,3 kg (0,4 lbs)
Contamination class to ISO 4406:	See technical spec.
Seal kit:	RA700083
Installation torque:	110 - 130 Nm (81 - 96 ft-lb)
MTF _a :	150 - 1200 years: See technical spec.

Dimensions: mm [inches]

NOTES

For other configurations/quick codes not available in this catalogue page please consult factory

CURVES



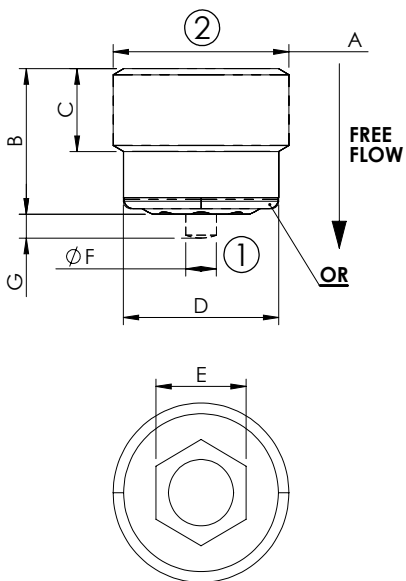
ORDERING CODES

Quick code	Description	Cracking pressure
CD000444	CDVN-120-PSNR-FN-S12-N000	0,3 bar (5 psi)
CD000046	CDVN-120-PSNR-FN-S12-N001	1 bar (15 psi)
CD000310	CDVN-120-PSNR-FN-S12-N004	4 bar (50 psi)
CD000445	CDVN-120-PSNR-FN-S12-N008	8 bar (100 psi)

CHECK VALVE

CDVN-XXX-PAGS

MONODIRECTIONAL
POPPET TYPE



SPECIFICATIONS

Max. operating pressure:	500 bar (7200 psi)
Weight:	3 - 45 g (0,01 - 0,1 lbs)
Contamination class to ISO 4406:	See technical spec.
MTF _a :	150 - 1200 years: See technical spec.

Dimensions: mm [inches]

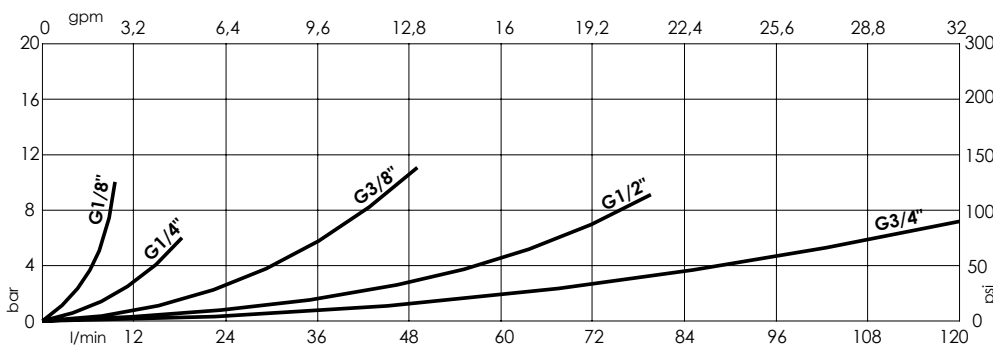
NOTES

Hardened seat and piston
For other configurations/quick codes not available in this catalogue page please consult factory

SPECIFICATIONS

Quick code	A	B	C	D	E	F	G	OR
CD000179	G 1/8"	7,9 [0,31]	4,5 [0,18]	8,6 [0,34]	Hex. 5 [0,2]	1,7 [0,07]	1,3 [0,05]	6,00 x 1 N70 [0,236x0,039]
CD000180	G 1/4"	10,3 [0,41]	5,5 [0,22]	11,6 [0,46]	Hex. 7 [0,28]	2,0 [0,08]	1,3 [0,05]	9,00 x 1 N70 [0,354x0,039]
CD000181	G 3/8"	11,7 [0,46]	7,0 [0,28]	15 [0,59]	Hex. 6 [0,24]	2,7 [0,11]	2,0 [0,08]	11,00 x 1,5 N70 [0,433x0,059]
CD000182	G 1/2"	13,2 [0,52]	8,0 [0,32]	18,5 [0,73]	Hex.8 [0,32]	3,2 [0,13]	2,5 [0,1]	14,00 x 1,5 N70 [0,551x0,059]
CD000183	G 3/4"	17,1 [0,67]	10,5 [0,41]	24 [0,95]	Hex.12 [0,47]	5,5 [0,22]	3,8 [0,15]	18,77 x 1,78 N70 [0,739x0,070]

CURVES



ORDERING CODES

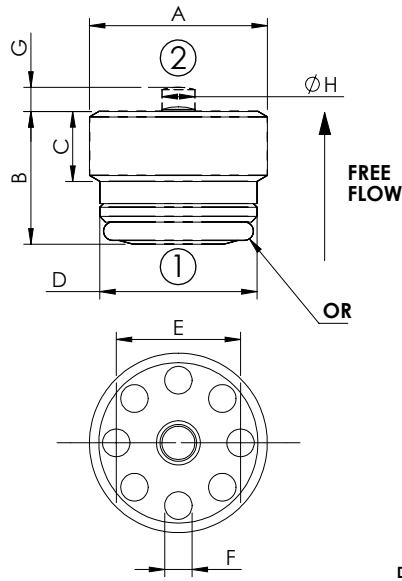
Quick code	Description	Cracking pressure	Rated flow	Cavity	Installation torque
CD000179	CDVN-010-PAGS-307-N001	0,1 bar (1,5 psi)	10 l/min (3 gpm)	VP000307 (G1/8")	8 Nm (6 ft-lb)
CD000180	CDVN-020-PAGS-309-N001	0,1 bar (1,5 psi)	20 l/min (5 gpm)	VP000309 (G1/4")	15 Nm (11 ft-lb)
CD000181	CDVN-050-PAGS-310-N001	0,1 bar (1,5 psi)	50 l/min (13 gpm)	VP000310 (G3/8")	20 Nm (15 ft-lb)
CD000182	CDVN-080-PAGS-311-N001	0,2 bar (3 psi)	80 l/min (21 gpm)	VP000311 (G1/2")	40 Nm (30 ft-lb)
CD000183	CDVN-120-PAGS-312-N001	0,1 bar (1,5 psi)	120 l/min (32 gpm)	VP000312 (G3/4")	80 Nm (59 ft-lb)

Revision B1

CHECK VALVE

CDVN-XXX-PANS

MONODIRECTIONAL
POPET TYPE



SPECIFICATIONS

Max. operating pressure:	500 bar (7200 psi)
Weight:	3 - 45 g (0,01 - 0,1 lbs)
Contamination class to ISO 4406:	See technical spec.
MTTFd:	150 - 1200 years: See technical spec.

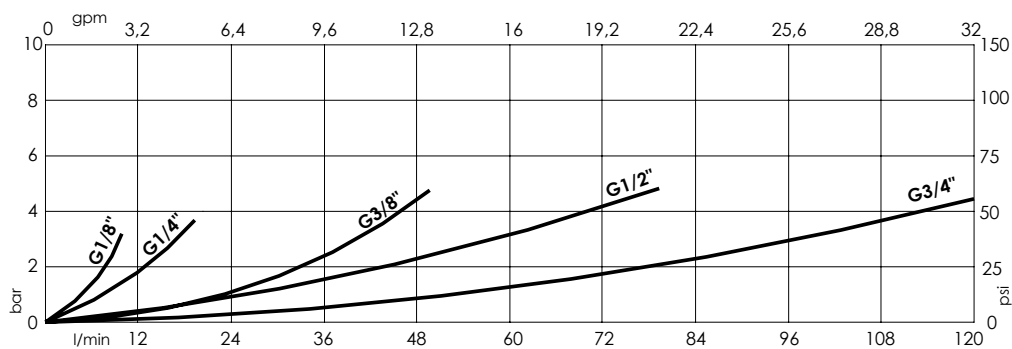
NOTES

Hardened seat and piston
For other configurations/quick codes not available in this catalogue page please consult factory

SPECIFICATIONS

Quick code	A	B	C	D	E	F	G	H	OR
CD000173	G 1/8"	7,2 [0,28]	3,8 [0,15]	8,6 [0,34]	6,8 [0,27]	1,5 [0,06]	1,3 [0,05]	1,8 [0,07]	6,00 x 1 N90 [0,236x0,039]
CD000174	G 1/4"	9 [0,32]	4,5 [0,18]	11,5 [0,45]	8,8 [0,35]	2,2 [0,09]	1,5 [0,06]	2,4 [0,09]	9,00 x 1 N90 [0,354x0,039]
CD000175	G 3/8"	11,2 [0,44]	6,5 [0,26]	15 [0,59]	11 [0,43]	3 [0,12]	2,5 [0,1]	3,2 [0,13]	11,00 x 1,5 N90 [0,433x0,059]
CD000176	G 1/2"	13,5 [0,53]	8 [0,32]	18,5 [0,73]	14,2 [0,56]	3,8 [0,15]	3 [0,12]	4 [0,16]	14,00 x 1,5 N90 [0,551x0,059]
CD000178	G 3/4"	17,5 [0,69]	10 [0,39]	24 [0,95]	18,5 [0,73]	4,6 [0,18]	3,5 [0,14]	5,5 [0,22]	18,77 x 1,78 N90 [0,739x0,070]

CURVES



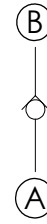
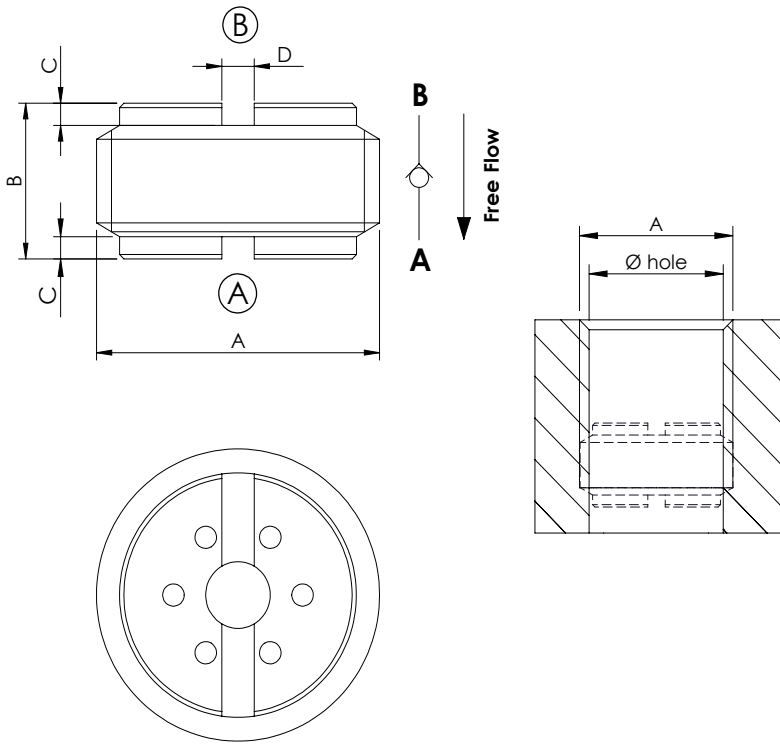
ORDERING CODES

Quick code	Description	Cracking pressure	Rated flow	Cavity	Installation torque	Installation tool
CD000173	CDVN-010-PANS-307-N001	0,1 bar (1,5 psi)	10 l/min (3 gpm)	VP000307 (G1/8")	8 Nm (6 ft-lb)	UM000390
CD000174	CDVN-020-PANS-309-N001	0,2 bar (3 psi)	20 l/min (5 gpm)	VP000309 (G1/4")	15 Nm (11 ft-lb)	UM000391
CD000175	CDVN-050-PANS-310-N001	0,2 bar (3 psi)	50 l/min (13 gpm)	VP000310 (G3/8")	20 Nm (15 ft-lb)	UM000392
CD000176	CDVN-080-PANS-311-N001	0,2 bar (3 psi)	80 l/min (21 gpm)	VP000311 (G1/2")	40 Nm (30 ft-lb)	UM000393
CD000178	CDVN-120-PANS-312-N001	0,1 bar (1,5 psi)	120 l/min (32 gpm)	VP000312 (G3/4")	80 Nm (59 ft-lb)	UM000394

CHECK VALVE

CDVN-XXX-DSNS

INSERT TYPE
DOUBLE MOUNTING



SPECIFICATIONS

Max. operating pressure:	350 bar (5000 psi)
Maximum leakage at 300 bar:	0,5 l/min (0,13 gpm)
Contamination class to ISO 4406:	See technical spec.
MTFa:	150 - 1200 years: See technical spec.

Dimensions: mm [inches]

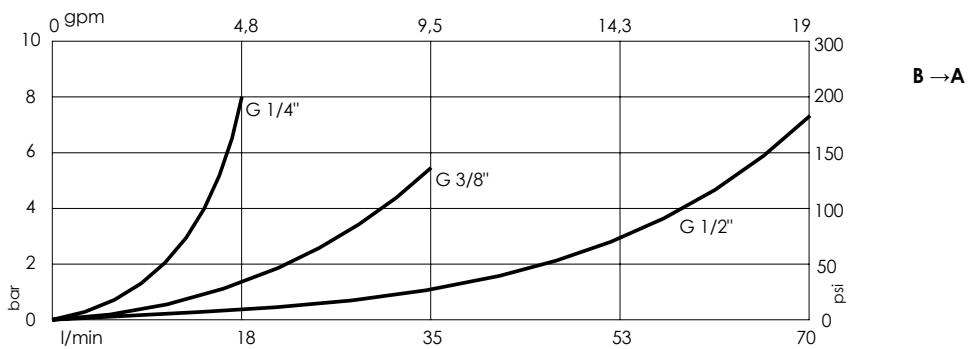
NOTES

- Disk type
- Not leak proof
- Without spring

In order to have the same leakage as indicated, the hole must be as shown in the table.

For other configurations/quick codes not available in this catalogue page please consult factory

CURVES



ORDERING CODES

Quick code	Description	Installation torque	Cracking pressure	Rated flow	Dimension					
					A	B	C	D	Ø hole	Weigh
CD000150	CDVN-010-DSNS-00-G14-N350	5 Nm (4 ft-lb)	0	10 l/min (3 gpm)	G 1/4"	7 [0,28]	1 [0,04]	1,5 [0,06]	13,15 [0,52]	4,5 g [0,001 lb]
CD000148	CDVN-030-DSNS-00-G38-N350	10 Nm (7 ft-lb)	0	30 l/min (8 gpm)	G 3/8"	7,5 [0,3]	1 [0,04]	1,5 [0,06]	16,65 [0,65]	7,5 g [0,01 lb]
CD000151	CDVN-070-DSNS-00-G12-N350	10 Nm (7 ft-lb)	0	70 l/min (19 gpm)	G 1/2"	11 [0,43]	1,5 [0,06]	1,5 [0,06]	20,95 [0,82]	15 g [0,03 lb]

Revision A1