

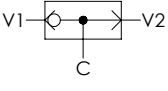
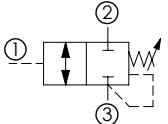
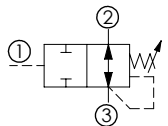
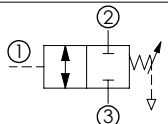
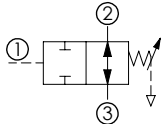
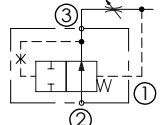
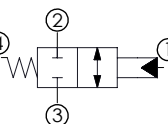
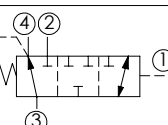
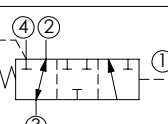
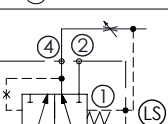
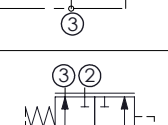
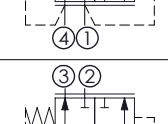


ATLANTIC
Fluid Tech

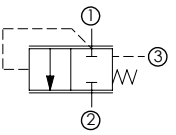
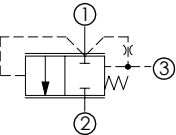
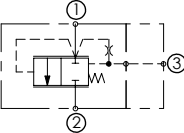
**SECTION
11**

Shuttle and
Logic
Elements

SHUTTLE AND LOGIC ELEMENTS

Hydraulic scheme	Valve description	Valve type	Rated flow l/min (gpm)	Max. pressure bar (psi)	Installation	Main port size or cavity type	Page
	CDSN-005-SSNS CDSN-030-SSNS MDSN-050-SSNR	Shuttle Shuttle Shuttle	5 (1.3) 30 (8) 50 (13)	350 (5000) 350 (5000) 350 (5000)	Insert Insert In line	VP000018 VP000079 G 1/4"	11.01.010 11.01.020 11.01.030
	CDLN-040-CCTC	Direct acting, spool type	40 (11)	350 (5000)	Cartridge	SAE-10-3N	11.02.040
	CDLN-040-CCTE	Direct acting, spool type	40 (11)	350 (5000)	Cartridge	SAE-10-3N	11.03.050
	CDLN-040-CCVC	Direct acting, spool type	40 (11)	350 (5000)	Cartridge	SAE-10-3N	11.04.060
	CDLN-040-CCVE	Direct acting, spool type	40 (11)	350 (5000)	Cartridge	SAE-10-3N	11.05.070
	CDLN-140-CCTE	Normally closed, spool type	40 (11)	350 (5000)	Cartridge	SAE-10-3N	11.06.075
	CDLC-150-CCTB	Direct acting, spool type	150 (40)	350 (5000)	Cartridge	SAE-12-4N	11.07.080
	CDLN-040-CDTK	Direct acting, spool type	40 (11)	350 (5000)	Cartridge	SAE-10-4N	11.08.090
	CDLN-040-CDTH	Direct acting, spool type	40 (11)	350 (5000)	Cartridge	SAE-10-4N	11.09.100
	CDLN-160-CDAS	Priority spool type	160 (42)	350 (5000)	Cartridge	SAE-16-4N	11.10.105
	CDLN-040-CDPB	Direct acting, spool type	40 (11)	350 (5000)	Cartridge	SAE-10-4N	11.11.110
	CDLN-120-CDPB	Direct acting, spool type	120 (32)	350 (5000)	Cartridge	SAE-12-4N	11.11.120

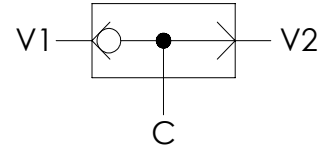
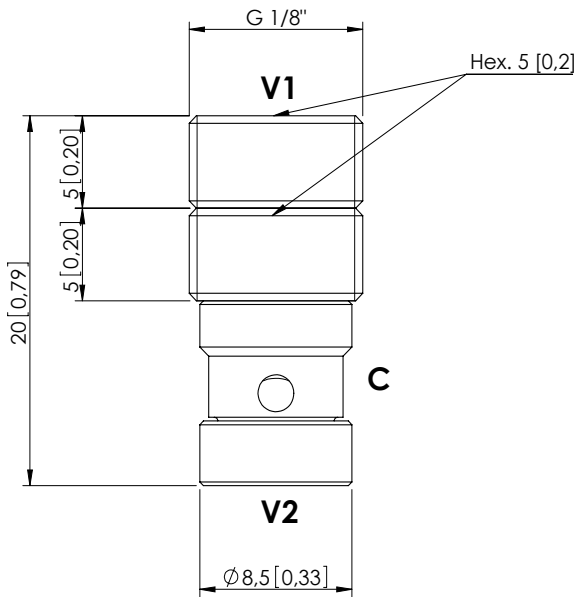
SHUTTLE AND LOGIC ELEMENTS

Hydraulic scheme	Valve description	Valve type	Rated flow l/min (gpm)	Max. pressure bar (psi)	Installation	Main port size or cavity type	Page
	CDLN-100-CCPC	Normally closed, spool type	100 (26)	350 (5000)	Cartridge	SAE-10-3C	11.12.130
	CDLN-100-CCRC	Normally closed, spool type, adjustable setting	100 (26)	350 (5000)	Cartridge	SAE-10-3C	11.12.140
	CDLN-160-SCTC	Normally closed, spool type	160 (43)	350 (5000)	Cartridge	VP000065	11.12.150
	CDLN-300-SCTC	Normally closed, spool type	300 (79)	350 (5000)	Cartridge	VP000058	11.12.160
	CDLN-500-SCTC	Normally closed, spool type	500 (132)	350 (5000)	Cartridge	VP000178	11.12.170
	CDLN-100-CCPC	Normally closed, spool type	100 (26)	350 (5000)	Cartridge	SAE-10-3C	11.13.180
	CDLN-100-CCRC	Normally closed, spool type, adjustable setting	100 (26)	350 (5000)	Cartridge	SAE-10-3C	11.13.190
	CDLN-160-SCTD	Normally closed, spool type with internal orifice	160 (43)	350 (5000)	Cartridge	VP000065	11.13.200
	CDLN-300-SCTD	Normally closed, spool type with internal orifice	300 (79)	350 (5000)	Cartridge	VP000058	11.13.210
	CDLN-500-SCTD	Normally closed, spool type with internal orifice	500 (132)	350 (5000)	Cartridge	VP000178	11.13.220
	CDLN-500-PCPS	Normally closed, poppet type, externally piloted	500 (132)	350 (5000)	Cartridge	VP000189	11.14.230

SHUTTLE VALVE

CDSN-005-SSNS

INSERT TYPE



SPECIFICATIONS

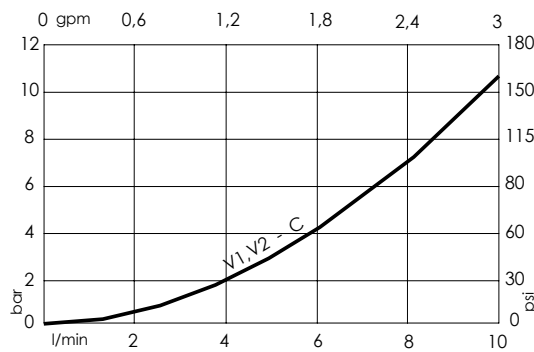
Max. operating pressure:	350 bar (5000 psi)
Rated flow:	5 l/min (1,3 gpm)
Cavity:	VP000018
Weight:	0,01 kg (0,02 lbs)
Installation torque:	12 - 15 Nm (9 - 11 ft-lb)
Contamination class to ISO 4406:	See technical spec.
MTTF _a :	150 - 1200 years: See technical spec.

Dimensions: mm [inches]

NOTES

For other configurations/quick codes not available in this catalogue page please consult factory

CURVES



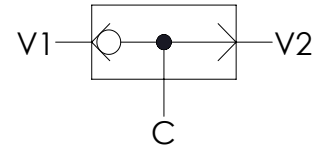
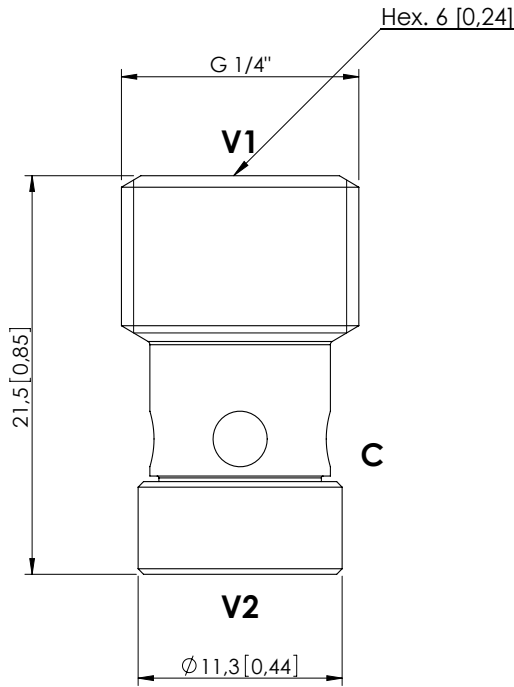
ORDERING CODES

Quick code	Description
CD000001	CDSN-005-SSNS-FN-018-N000

SHUTTLE VALVE

CDSN-030-SSNS

INSERT TYPE



SPECIFICATIONS

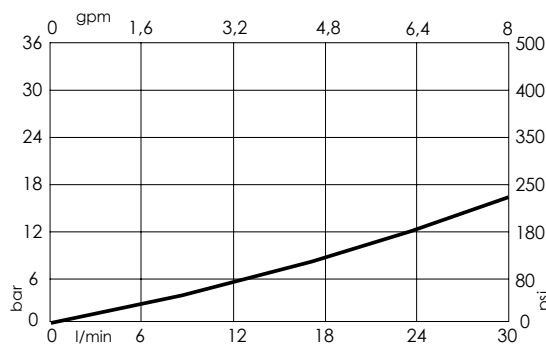
Max. operating pressure:	350 bar (5000 psi)
Rated flow:	30 l/min (8 gpm)
Cavity:	VP000079
Weight:	0,01 kg (0,02 lbs)
Installation torque:	14 - 16 Nm (10 - 12 ft-lb)
Contamination class to ISO 4406:	See technical spec.
MTF _a :	150 - 1200 years: See technical spec.

Dimensions: mm [inches]

NOTES

For other configurations/quick codes not available in this catalogue page please consult factory

CURVES



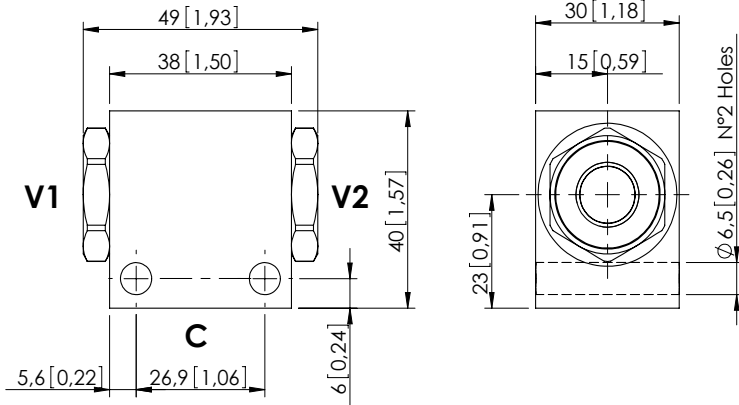
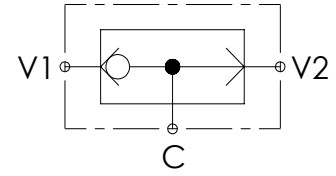
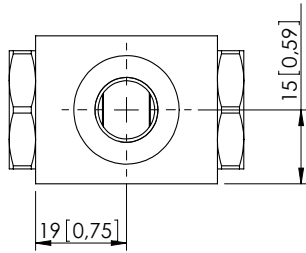
ORDERING CODES

Quick code	Description
CD000045	CDSN-030-SSNS-FN-079-N000

SHUTTLE VALVE

MDSN-050-SSNR

IN LINE TYPE



Dimensions: mm [inches]

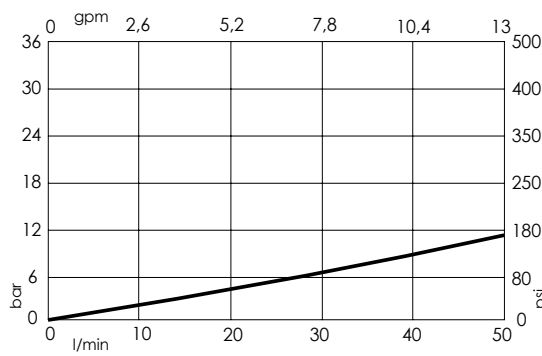
SPECIFICATIONS

Max. operating pressure:	350 bar (5000 psi)
Rated flow:	50 l/min (13 gpm)
Manifold:	Aluminium
Weight:	0,16 kg (0,35 lbs)
Contamination class to ISO 4406:	See technical spec.
MTF _d :	150 - 1200 years: See technical spec.

NOTES

For other configurations/quick codes not available in this catalogue page please consult factory

CURVES



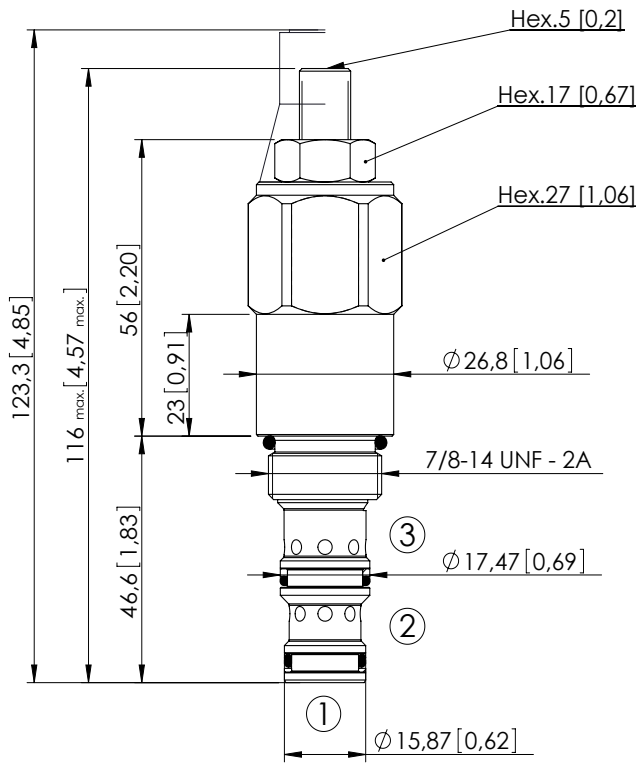
ORDERING CODES

Quick code	Description	Main ports size
MD000001	MDSN-050-SSNR-NP-G14-N350	G 1/4"

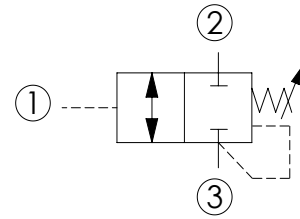
LOGIC ELEMENT

CDLN-040-CCTC

DIRECT ACTING
SPOOL TYPE



Dimensions: mm [inches]



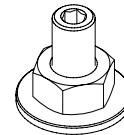
SPECIFICATIONS

Max. operating pressure:	350 bar (5000 psi)
Rated flow:	40 l/min (11 gpm)
Cavity:	SAE-10-3N
Weight:	0.29 kg (0,64 lbs)
Contamination class to ISO 4406:	See technical spec.
Seal kit:	RB700092
Installation torque:	55 - 62 Nm (41 - 46 ft-lb)
MTF _d :	150 - 1200 years: See technical spec.

NOTES

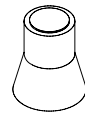
Pressure in port 3 is additive to setting 1:1. For back pressure compensated valve consult CDLN-040-CCVC data sheet. No O-ring on 1.
For other configurations/quick codes not available in this catalogue page please consult factory

OPTIONS



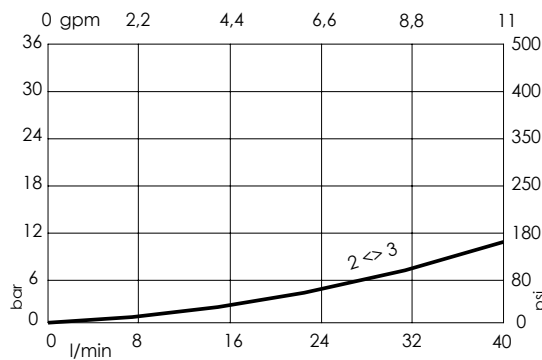
Adjustment with Screw

SEALING CAP



Ordering code: AT000022

CURVES



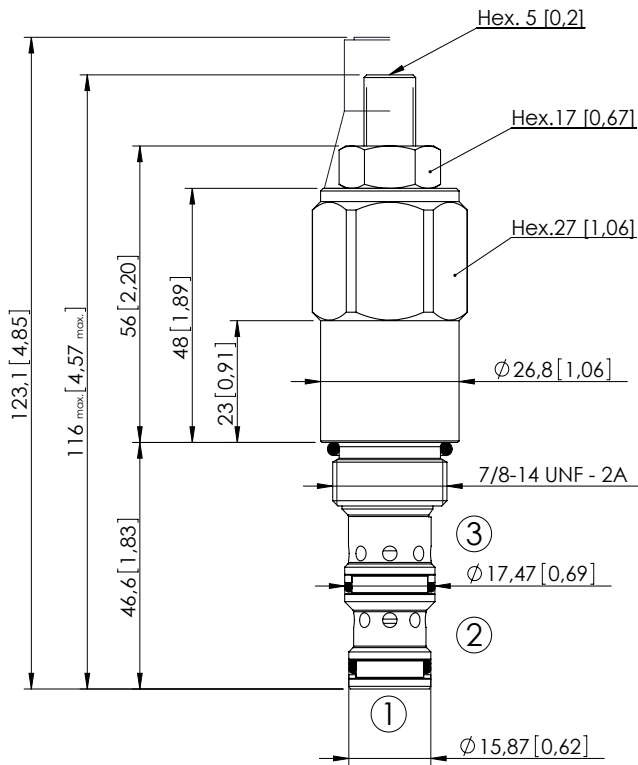
ORDERING CODES

Quick code	Description	Standard setting Q=5 l/min (1,3 gpm)	Adjustment range	Pressure increase	Option
CD000121	CDLN-040-CCTC-HN-S10-N060	30 bar (400 psi)	10-60 bar (150-850 psi)	11 bar/turn (150 psi/turn)	Adjustment with Screw

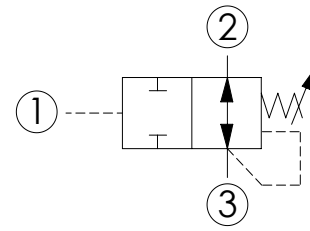
LOGIC ELEMENT

CDLN-040-CCTE

DIRECT ACTING
SPOOL TYPE



Dimensions: mm [inches]



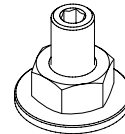
SPECIFICATIONS

Max. operating pressure:	350 bar (5000 psi)
Rated flow:	40 l/min (11 gpm)
Cavity:	SAE-10-3N
Weight:	0.29 kg (0.64 lbs)
Contamination class to ISO 4406:	See technical spec.
Seal kit:	RB700092
Installation torque:	55 - 62 Nm (41 - 46 ft-lb)
MTF _a :	150 - 1200 years: See technical spec.

NOTES

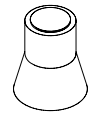
Pressure in port 3 is additive to setting 1:1. For back pressure compensated valve consult CDLN-040-CCVE data sheet. No O-ring on 1.
For other configurations/quick codes not available in this catalogue page please consult factory

OPTIONS



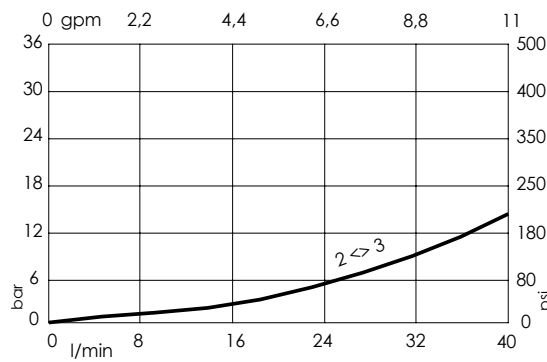
Adjustment with Screw

SEALING CAP



Ordering code:
AT000022

CURVES



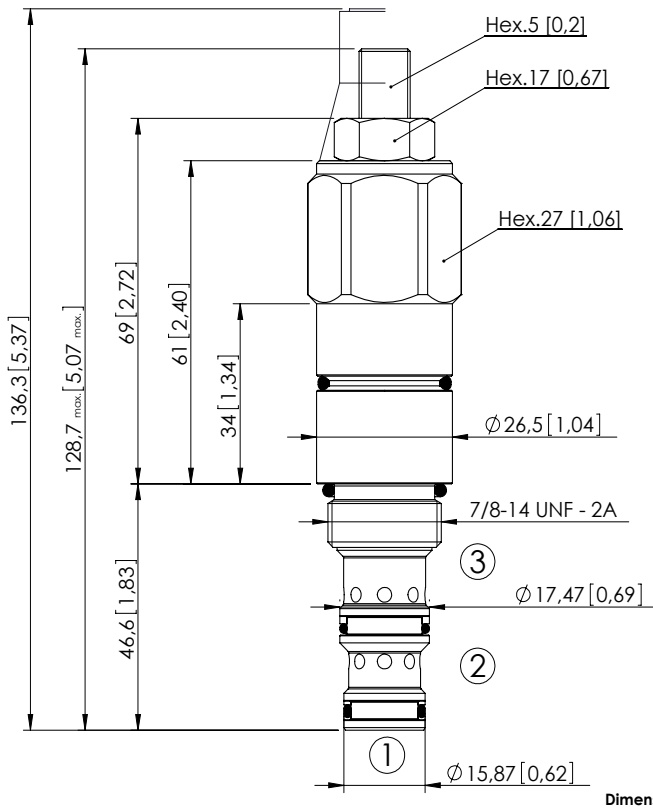
ORDERING CODES

Quick code	Description	Standard setting Q=5 l/min (1.3 gpm)	Adjustment range	Pressure increase	Option
CD000123	CDLN-040-CCTE-HN-S10-N060	30 bar (400 psi)	10-60 bar (150-850 psi)	11 bar/turn (150 psi/turn)	Adjustment with Screw

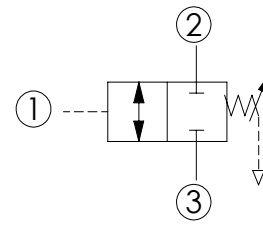
LOGIC ELEMENT

CDLN-040-CCVC

SPOOL TYPE - VENTED
EXTERNAL PILOT



Dimensions: mm [inches]



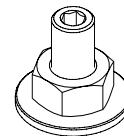
SPECIFICATIONS

Max. operating pressure:	350 bar (5000 psi)
Rated flow:	40 l/min (11 gpm)
Cavity:	SAE-10-3N
Weight:	0,33 kg (0,73 lbs)
Contamination class to ISO 4406:	See technical spec.
Seal kit:	RB700092
Installation torque:	60 - 75 Nm (44 - 55 ft-lb)
MTF _d :	150 - 1200 years: See technical spec.

NOTES

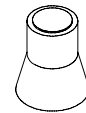
For other configurations/quick codes not available in this catalogue page please consult factory

OPTIONS



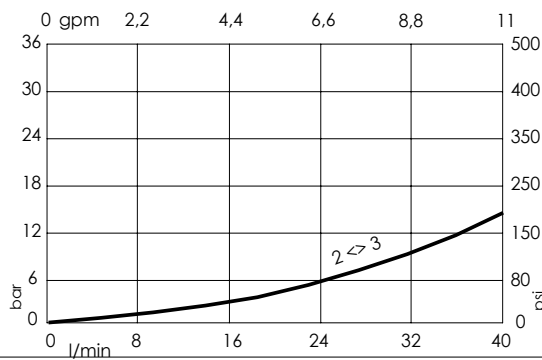
Adjustment with Screw

SEALING CAP



Ordering code: AT000022

CURVES



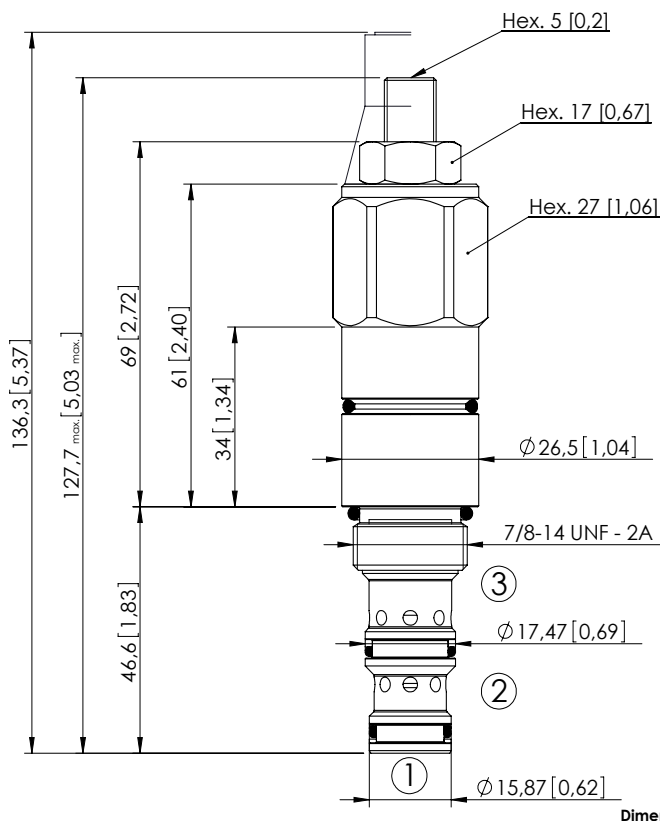
ORDERING CODES

Quick code	Description	Standard setting Q=5 l/min (1,3 gpm)	Adjustment range	Pressure increase	Option
CD000119	CDLN-040-CCVC-HN-S10-N180	120 bar (1700 psi)	22-180 bar (300-2600 psi)	22 bar/turn (300 psi/turn)	Adjustment with Screw
CD000120	CDLN-040-CCVC-HN-S10-N070	50 bar (700 psi)	7-70 bar (100-1050 psi)	7 bar/turn (100 psi/turn)	Adjustment with Screw

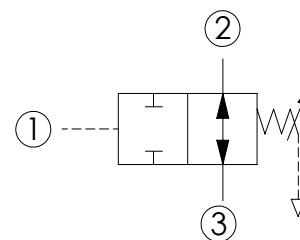
LOGIC ELEMENT

CDLN-040-CCVE

SPOOL TYPE - VENTED
EXTERNAL PILOT



Dimensions: mm [inches]



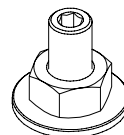
SPECIFICATIONS

Max. operating pressure:	350 bar (5000 psi)
Rated flow:	40 l/min (11 gpm)
Cavity:	SAE-10-3N
Weight:	0,33 kg (0.73 lbs)
Contamination class to ISO 4406:	See technical spec.
Seal kit:	RB700092
Installation torque:	55 - 62 Nm (41 - 46 ft-lb)
MTF _a :	150 - 1200 years: See technical spec.

NOTES

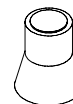
For other configurations/quick codes not available in this catalogue page please consult factory

OPTIONS



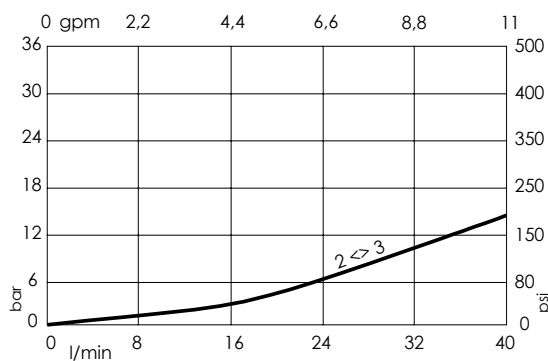
Adjustment with Screw

SEALING CAP



Ordering code: AT000021

CURVES



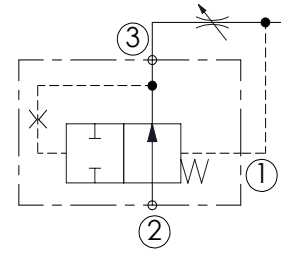
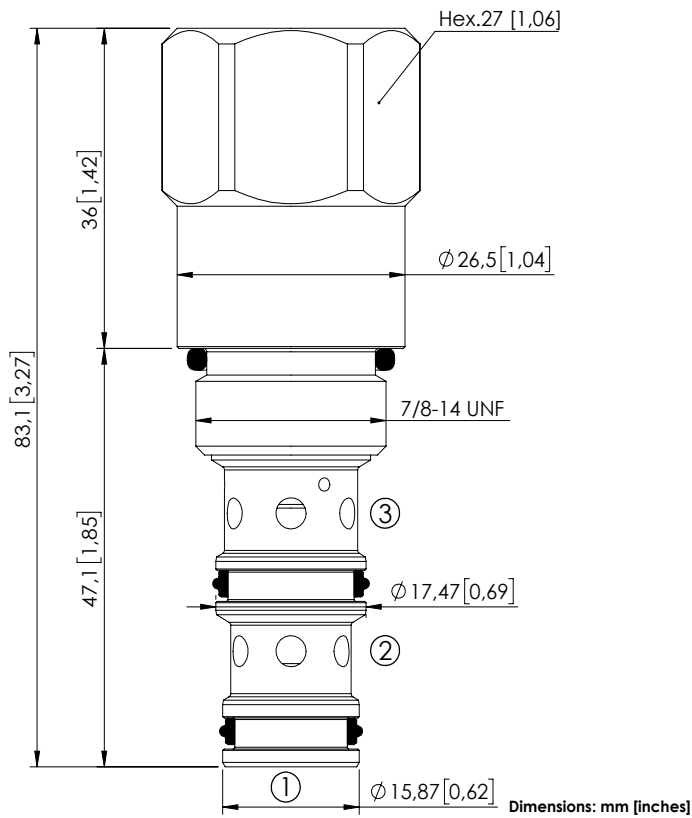
ORDERING CODES

Quick code	Description	Standard setting Q=5 l/min (1.3 gpm)	Adjustment range	Pressure increase	Option
CD000122	CDLN-040-CCVE-HN-S10-N180	120 bar (1700 psi)	50-180 bar (720-2600 psi)	22 bar/turn (300 psi/turn)	Adjustment with Screw
CD000214	CDLN-040-CCVE-HN-S10-N100	50 bar (700 psi)	20-80 bar (290-1200 psi)	7 bar/turn (100 psi/turn)	Adjustment with Screw

LOGIC ELEMENT

CDLN-040-CCTE

NORMALLY CLOSED
SPOOL TYPE



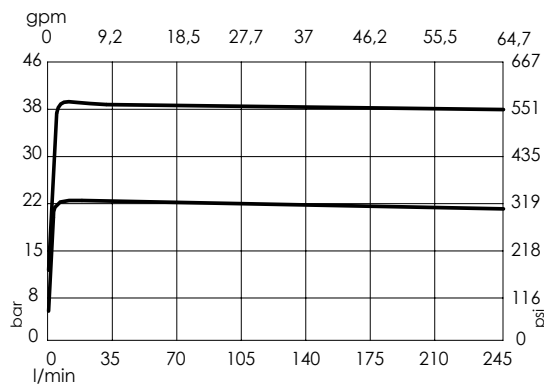
SPECIFICATIONS

Max. operating pressure:	350 bar (5000 psi)
Rated flow:	40 l/min (11 gpm)
Cavity:	SAE-10-3N
Weight:	0,21 kg (0,39 lbs)
Spool:	$\phi 10$ mm [0,39]
Seal kit:	RB600092
Installation torque:	34 - 37 Nm (25 - 27 ft-lb)
Contamination class to ISO 4406:	See technical spec.
MTTF _d :	150 years

NOTES

For other configurations/quick codes not available in this catalogue page please consult factory.

CURVES



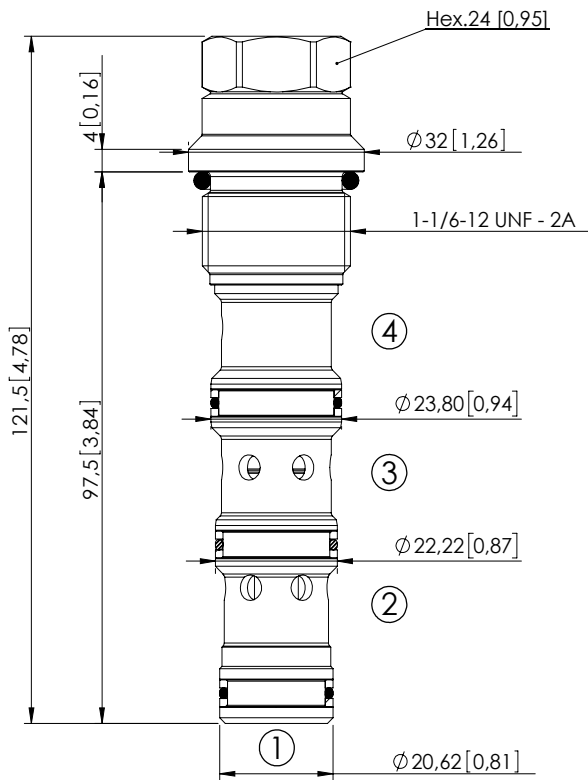
ORDERING CODES

Quick code	Description	Closing pressure
CD000580	CDLN-040-CCTE-FN-S10-N005	5 bar (75 psi)
CD000619	CDLN-040-CCTE-FN-S10-N011	11 bar (150 psi)

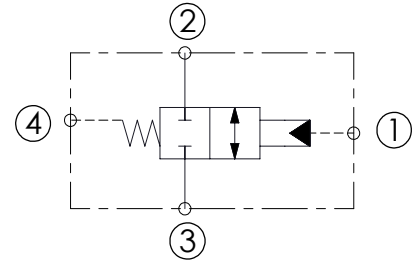
LOGIC ELEMENT

CDLN-150-CCTB

DIRECT ACTING
SPOOL TYPE



Dimensions: mm [inches]



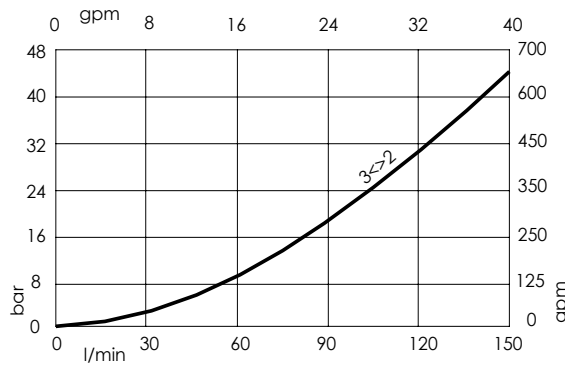
SPECIFICATIONS

Max. operating pressure:	350 bar (5000 psi)
Rated flow:	150 l/min (40 gpm)
Cavity:	SAE-12-4N
Weight:	0,33 kg (0,73 lbs)
Installation torque:	110 - 120 Nm (81 - 89 ft-lb)
Seal kit:	RB700103
Contamination class to ISO 4406:	See technical spec.
MTTFa:	150 - 1200 years: See technical spec.

NOTES

For other configurations/quick codes not available in this catalogue page please consult factory

CURVES



ORDERING CODES

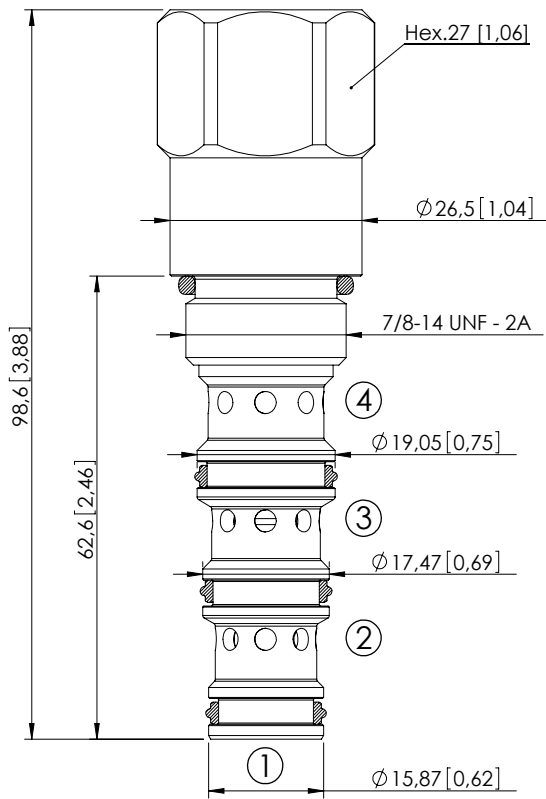
Quick code	Description	Cracking pressure
CD000105	CDLN-150-CDTB-FN-S12-N007	7,5 bar (0/+2) (100 psi (0/+25))

Revision A1

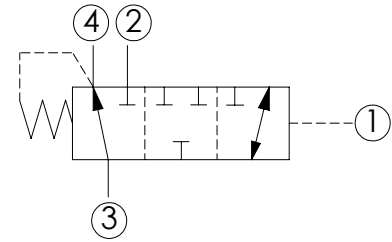
LOGIC ELEMENT

CDLN-040-CDTK

DIRECT ACTING
SPOOL TYPE



Dimensions: mm [inches]



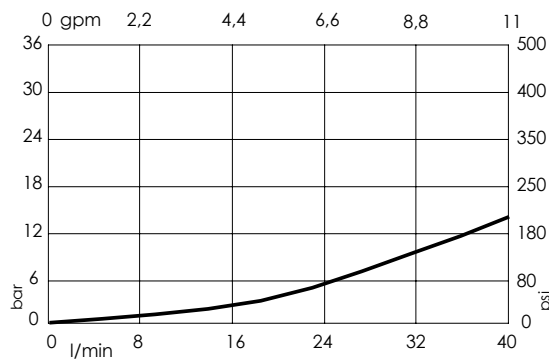
SPECIFICATIONS

Max. operating pressure:	350 bar (5000 psi)
Rated flow:	40 l/min (11 gpm)
Cavity:	SAE-10-4N
Weight:	0,23 kg (0,51 lbs)
Installation torque:	55-62 Nm (41-46 ft-lb)
Seal kit:	RB700102
Internal leakage:	50 cc/min 3,05 in ³ /min
Contamination class to ISO 4406:	See technical spec.
MTF _d :	150 - 1200 years: See technical spec.

NOTES

For other configurations/quick codes not available in this catalogue page please consult factory

CURVES



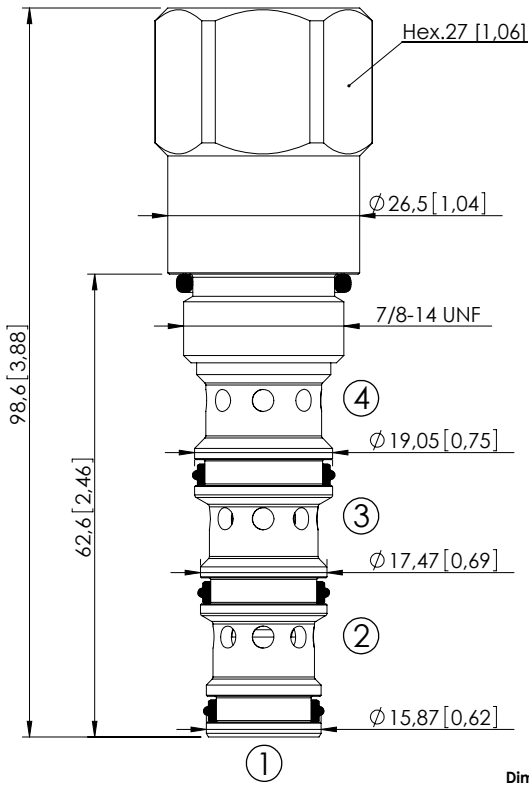
ORDERING CODES

Quick code	Description	Cracking pressure
CD000300	CDLN-040-CDTK-FN-S10-N003	3 bar ±1 (50 psi ±15)
CD000487	CDLN-040-CDTK-FN-S10-N005	5 bar ±1 (75 psi ±15)
CD000260	CDLN-040-CDTK-FN-S10-N011	11 bar ±1 (150 psi ±15)

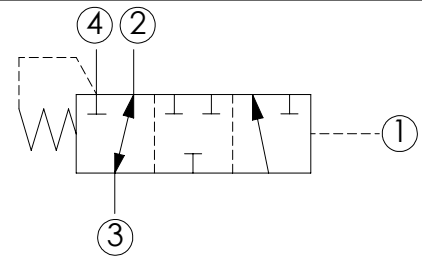
LOGIC ELEMENT

CDLN-040-CDTH

DIRECT ACTING
SPOOL TYPE



Dimensions: mm [inches]



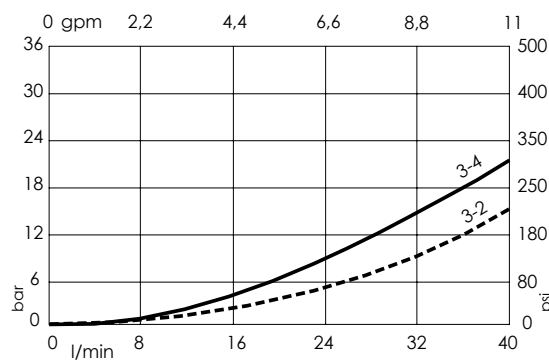
SPECIFICATIONS

Max. operating pressure:	350 bar (5000 psi)
Rated flow:	40 l/min (11 gpm)
Cavity:	SAE-10-4N
Weight:	0,23 kg (0,51 lbs)
Installation torque:	55 - 62 Nm (41 - 46 ft-lb)
Seal kit:	RB700102
Internal leakage:	50 cc/min 3,05 in ³ /min
Contamination class to ISO 4406:	See technical spec.
MTF _d :	150 - 1200 years: See technical spec.

NOTES

For other configurations/quick codes not available in this catalogue page please consult factory

CURVES



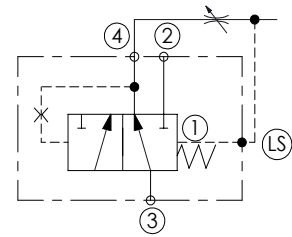
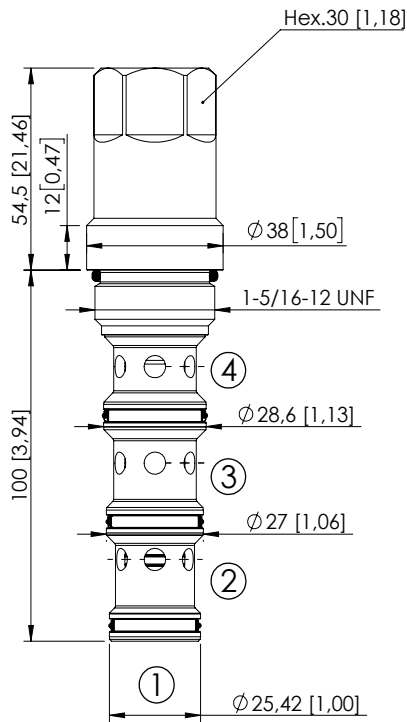
ORDERING CODES

Quick code	Description	Cracking pressure
CD000377	CDLN-040-CDTH-FN-S10-N003	3 bar ±1 (50 psi ±15)
CD000261	CDLN-040-CDTH-FN-S10-N011	11 bar ±1 (150 psi ±15)
CD000343	CDLN-040-CDTH-FH-S10-N015	15 bar ±1 (200 psi ±15)
CD000276	CDLN-040-CDTH-FH-S10-N030	30 bar ±1 (400 psi ±15)
CD000262	CDLN-040-CDTH-FH-S10-N050	50 bar ±1 (700 psi ±15)

LOGIC ELEMENT

CDLN-160-CDAS

PRIORITY
SPOOL TYPE



SPECIFICATIONS

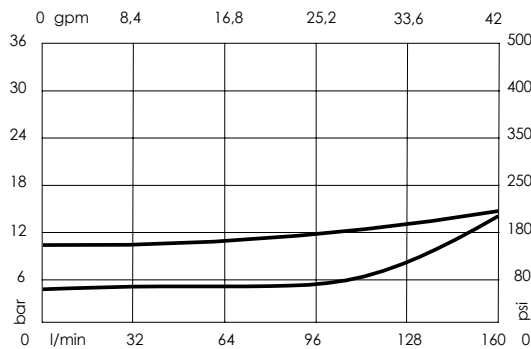
Max. operating pressure:	350 bar (5000 psi)
Rated flow:	160 l/min (42 gpm)
Cavity:	SAE-16-4N
Weight:	0,62 kg (137 lbs)
Installation torque:	125 - 135 Nm (92-99 ft-lb)
Seal kit:	RB600104
Contamination class to ISO 4406:	See technical spec.
MTF _d :	150 - 1200 years: See technical spec.

Dimensions: mm [inches]

NOTES

For other configurations/quick codes not available in this catalogue page please consult factory

CURVES



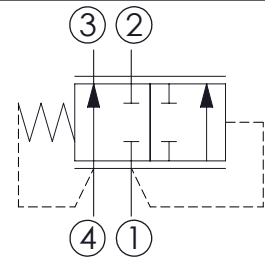
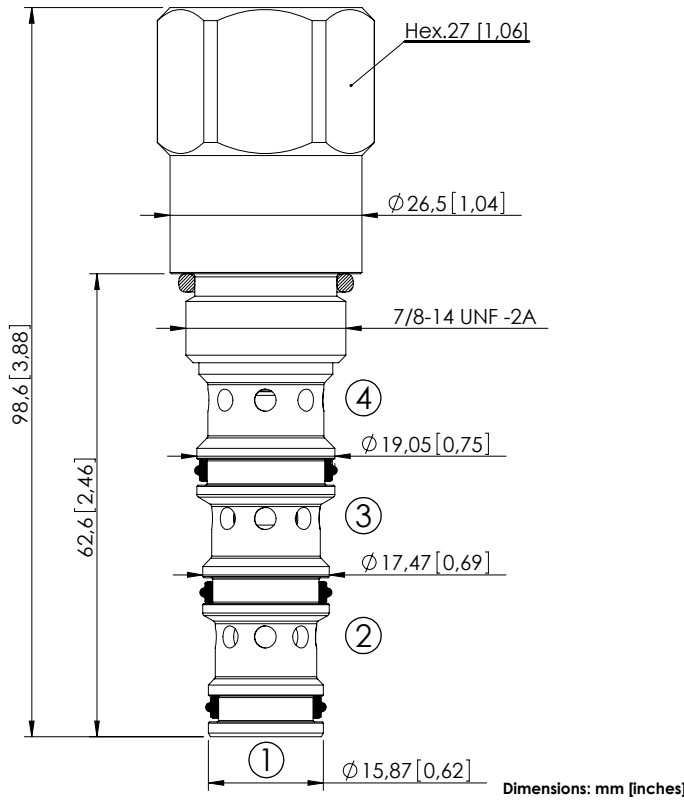
ORDERING CODES

Quick code	Description	Cracking pressure
CD000603	CDLN-160-CDAS-FN-S16-N005	5 bar ±1 (72.5 psi ±15)
CD000605	CDLN-160-CDAS-FN-S16-N010	10 bar ±1 (145 psi ±15)

LOGIC ELEMENT

CDLN-040-CDPB

DIRECT ACTING
SPOOL TYPE



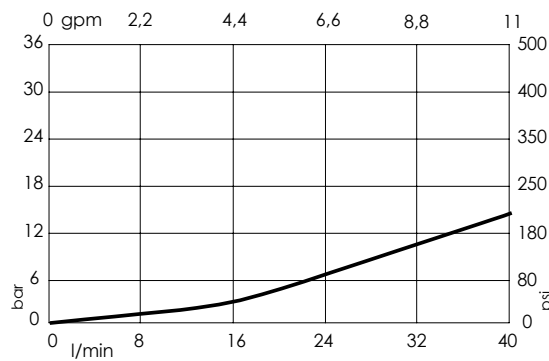
SPECIFICATIONS

Max. operating pressure:	350 bar (5000 psi)
Rated flow:	40 l/min (11 gpm)
Cavity:	SAE-10-4N
Weight:	0,23 kg (0,51 lbs)
Installation torque:	55 - 62 Nm (41 - 46 ft-lb)
Seal kit:	RB700102
Internal leakage:	50 cc/min 3,05 in ³ /min
Contamination class to ISO 4406:	See technical spec.
MTF _d :	150 - 1200 years: See technical spec.

NOTES

For other configurations/quick codes not available in this catalogue page please consult factory

CURVES

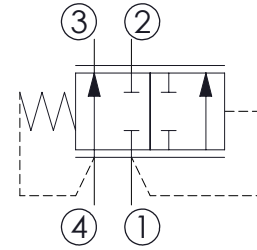
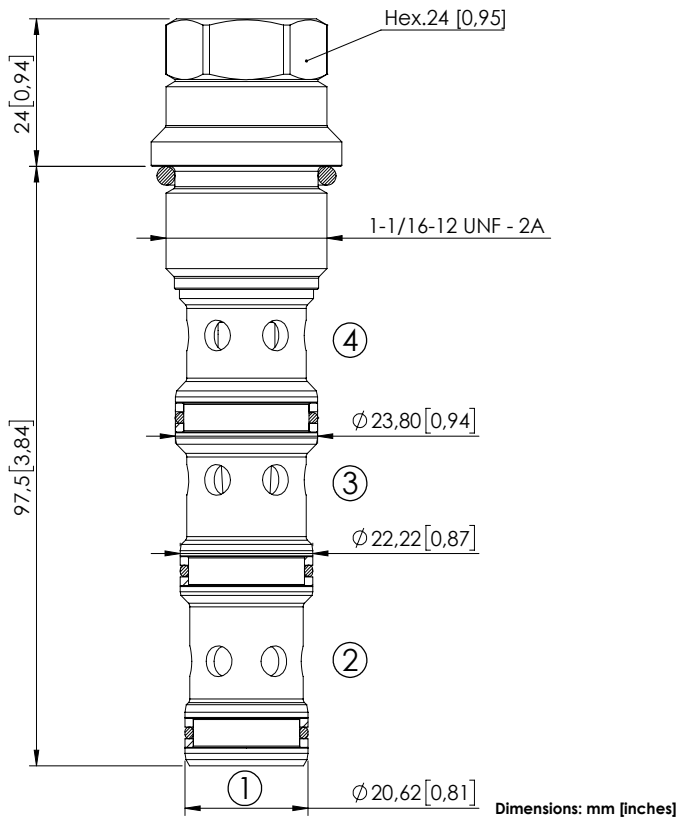


ORDERING CODES

Quick code	Description	Cracking pressure
CD000295	CDLN-040-CDPB-FH-S10-N005	5 bar $\pm 0,5$ (75 psi ± 10)
CD000296	CDLN-040-CDPB-FH-S10-N011	11,5 bar $\pm 0,5$ (170 psi ± 15)

CDLN-120-CDPB

DIRECT ACTING
SPOOL TYPE



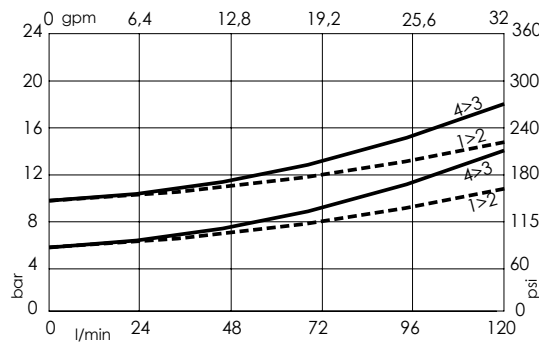
SPECIFICATIONS

Max. operating pressure:	350 bar (5000 psi)
Rated flow:	120 l/min (32 gpm)
Cavity:	SAE-12-4N
Weight:	0,3 kg (0,69 lbs)
Installation torque:	110 - 120 Nm (81 - 86 ft-lb)
Seal kit:	RB700103
Contamination class to ISO 4406:	See technical spec.
MTF _a :	150 - 1200 years: See technical spec.

NOTES

For other configurations/quick codes not available in this catalogue page please consult factory

CURVES



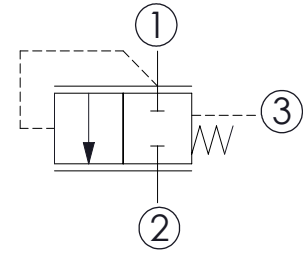
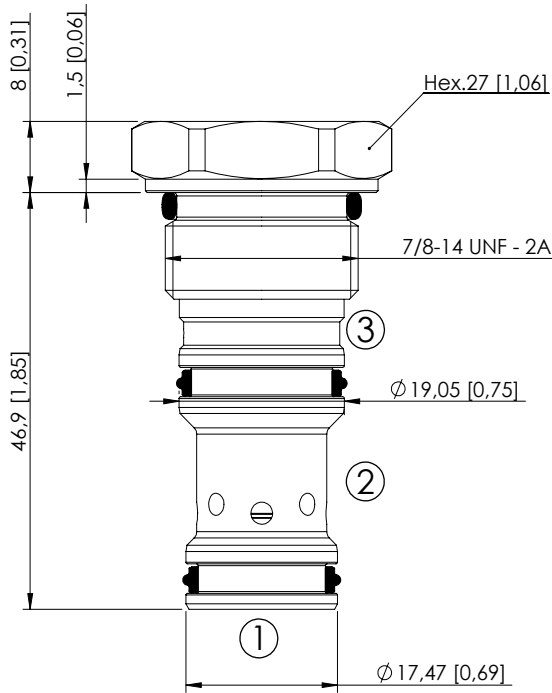
ORDERING CODES

Quick code	Description	Cracking pressure	
CD000336	CDLN-120-CDPB-FH-S12-N010	10 bar (150 psi)	
CD000637	CDLN-120-CDPB-FH-S12-N006	6 bar (90 psi)	

LOGIC ELEMENT

CDLN-100-CCPC

NORMALLY CLOSED
SPOOL TYPE



SPECIFICATIONS

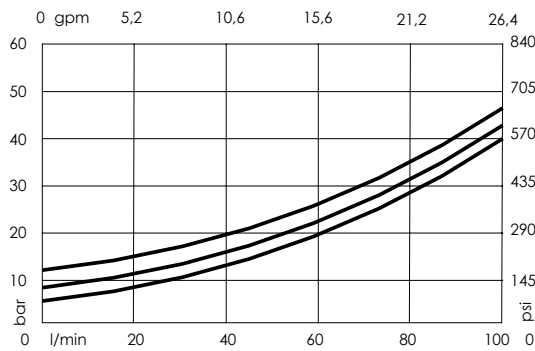
Max. operating pressure:	350 bar (5000 psi)
Rated flow:	100 l/min (26.5 gpm)
Cavity:	SAE-10-3C/SAE-10-3S
Weight:	0,11 kg (0.24 lbs)
Spool:	$\varnothing 10$ mm [0.39]
Seal kit:	RB600087
Installation torque:	55 - 62 Nm (41 - 46 ft-lb)
Contamination class to ISO 4406:	See technical spec.
MTF _a :	150 - 1200 years: See technical spec.

Dimensions: mm [inches]

NOTES

For other configurations/quick codes not available in this catalogue page please consult factory

CURVES



ORDERING CODES

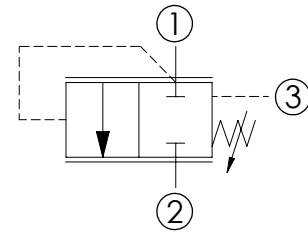
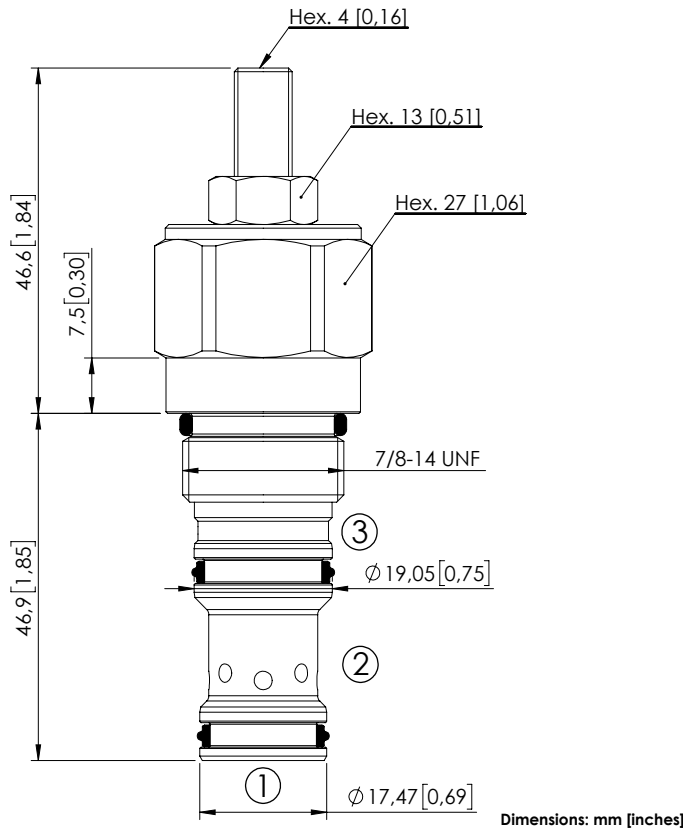
Quick code	Description	Cracking pressure
CD000505	CDLN-100-CCPC-14-S10-N005	5 bar (75 psi)
CD000506	CDLN-100-CCPC-14-S10-N008	8 bar (120 psi)
CD000507	CDLN-100-CCPC-14-S10-N012	12 bar (170 psi)

Revision A

LOGIC ELEMENT

CDLN-100-CCRC

NORMALLY CLOSED
SPOOL TYPE
ADJUSTABLE SETTING



SPECIFICATIONS

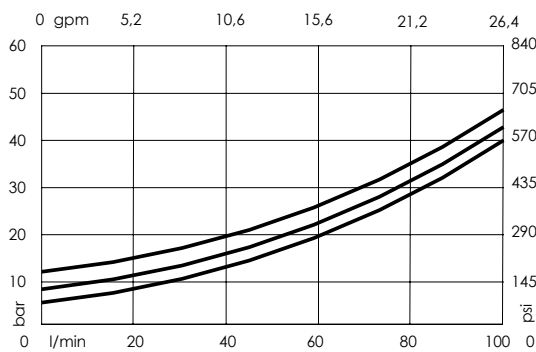
Max. operating pressure:	350 bar (5000 psi)
Rated flow:	100 l/min (26 gpm)
Cavity:	SAE-10-3C/SAE-10-3S
Weight:	0,2 kg (0,44 lbs)
Spool:	Ø10 mm [0,39]
Installation torque:	55 - 62 Nm (41 - 46 ft-lb)
Seal kit:	RB600087
Contamination class to ISO 4406:	See technical spec.
MTTFd:	150 - 1200 years: See technical spec.

NOTES

For sealing, please contact AFT.

For other configurations/quick codes not available in this catalogue page please consult factory

CURVES



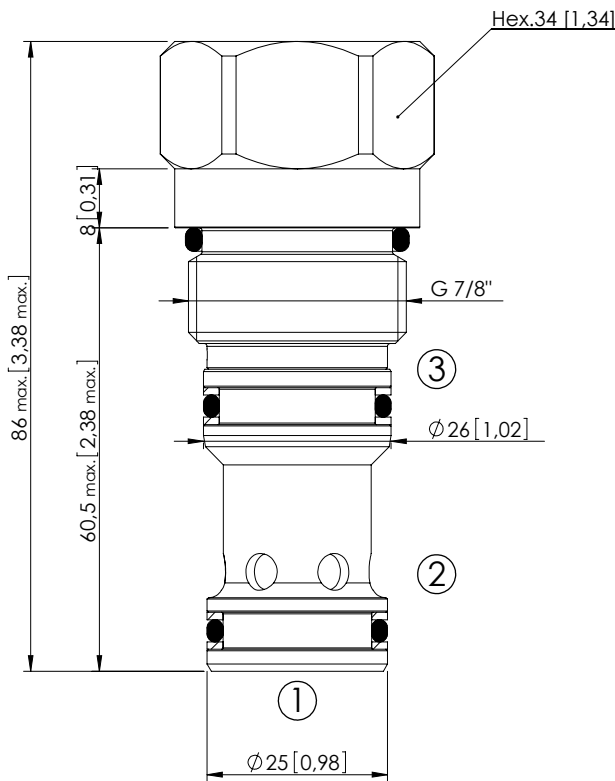
ORDERING CODES

Quick code	Description	Cracking pressure	Adjustment range	Pressure increase
CD000508	CDLN-100-CCRC-05-S10-H005	2,5 bar (35 psi)	1,5 - 5 bar (20-75 psi)	0,5 bar/turn (7 psi/turn)
CD000509	CDLN-100-CCRC-05-S10-H008	8 bar (120 psi)	2,5 - 8 bar (35-120 psi)	0,8 bar/turn (11 psi/turn)
CD000510	CDLN-100-CCRC-05-S10-H012	12 bar (170 psi)	4,5 - 12 bar (65-170 psi)	1 bar/turn (15 psi/turn)

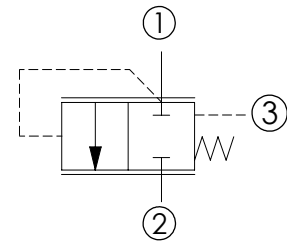
LOGIC ELEMENT

CDLN-160-SCTC

NORMALLY CLOSED
SPOOL TYPE



Dimensions: mm [inches]



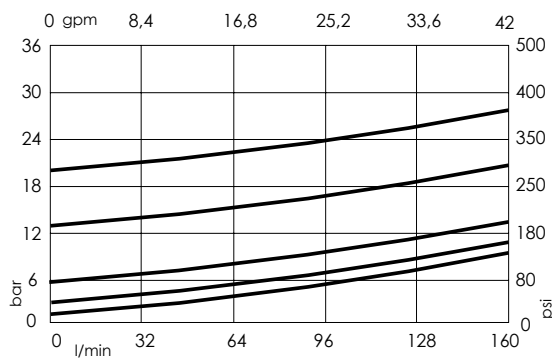
SPECIFICATIONS

Max. operating pressure:	350 bar (5000 psi)
Rated flow:	160 l/min (42 gpm)
Cavity:	VP000065
Weight:	0,33 kg (0,73 lbs)
Spool:	Ø16 mm [0,63]
Installation torque:	135 - 145 Nm (100 - 107 ft-lb)
Seal kit:	RD900065
Contamination class to ISO 4406:	See technical spec.
MTF _d :	150 - 1200 years: See technical spec.

NOTES

Parts in body compensator
For other configurations/quick codes not available in this catalogue page please consult factory

CURVES



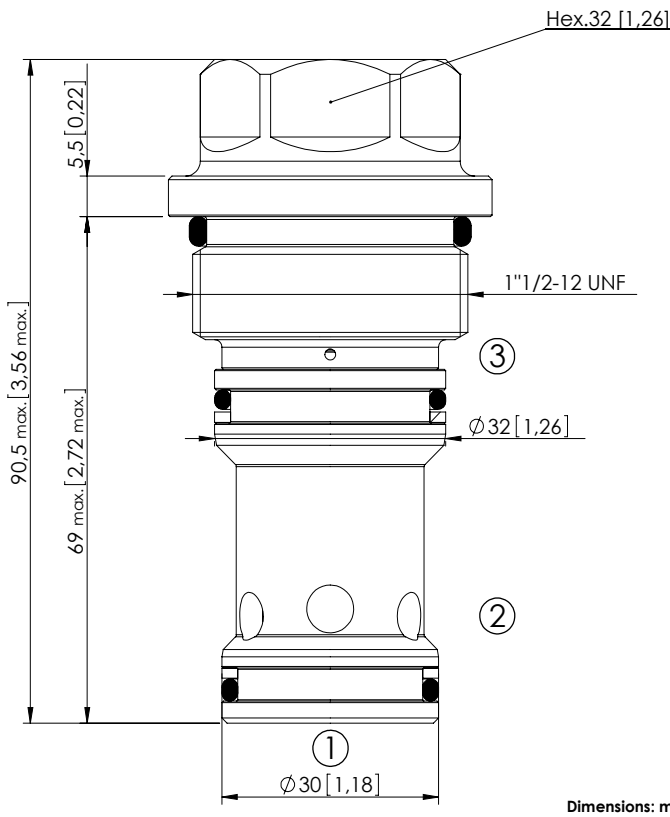
ORDERING CODES

Quick code	Description	Cracking pressure
CD000158	CDLN-160-SCTC-14-065-N000	0,4 bar (5 psi)
CD000076	CDLN-160-SCTC-14-065-N002	2 bar (25 psi)
CD000051	CDLN-160-SCTC-14-065-N005	5,5 bar (75 psi)
CD000147	CDLN-160-SCTC-14-065-N012	12,5 bar (180 psi)
CD000248	CDLN-160-SCTC-14-065-N020	20,5 bar (300 psi)

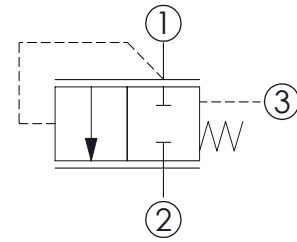
LOGIC ELEMENT

CDLN-300-SCTC

NORMALLY CLOSED
SPOOL TYPE



Dimensions: mm [inches]



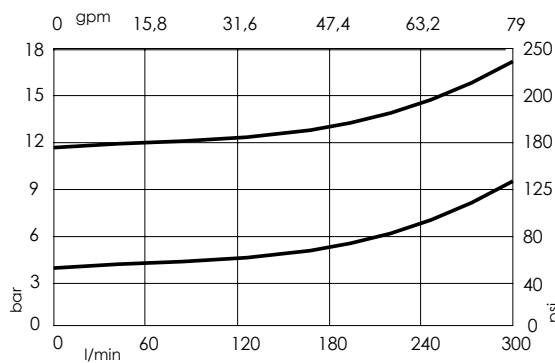
SPECIFICATIONS

Max. operating pressure:	350 bar (5000 psi)
Rated flow:	300 l/min (79 gpm)
Cavity:	VP000058
Weight:	0,47 kg (1,03 lbs)
Spool:	Ø19 mm (0,75)
Installation torque:	280 - 300 Nm (207 - 221 ft-lb)
Seal kit:	RC700058
Contamination class to ISO 4406:	See technical spec.
MTF _d :	150 - 1200 years: See technical spec.

NOTES

Parts in body compensator
For other configurations/quick codes not available in this catalogue page please consult factory

CURVES



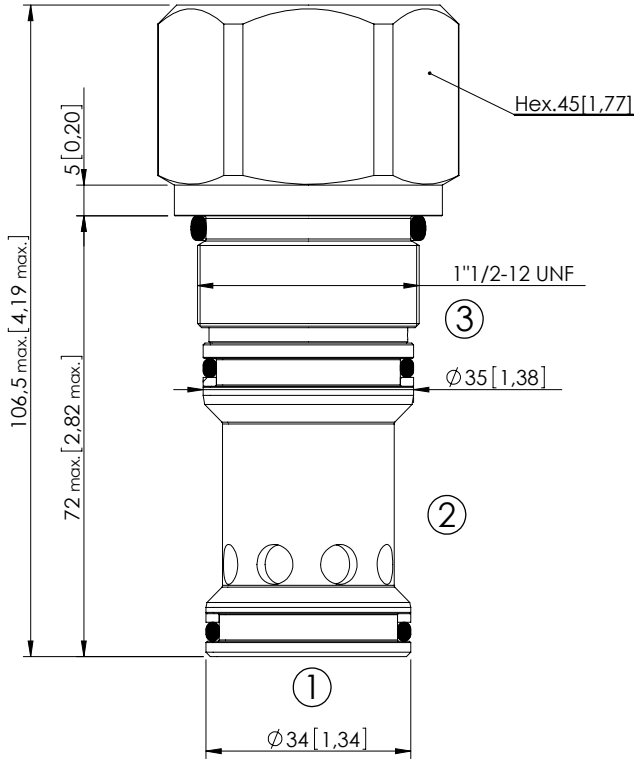
ORDERING CODES

Quick code	Description	Cracking pressure	
CD000096	CDLN-300-SCTC-14-058-N004	4 bar (50 psi)	
CD000311	CDLN-300-SCTC-14-058-N012	11,5 bar (180 psi)	

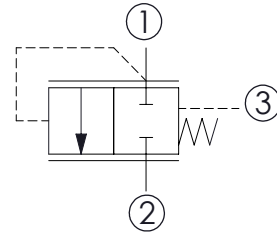
LOGIC ELEMENT

CDLN-500-SCTC

NORMALLY CLOSED
SPOOL TYPE



Dimensions: mm [inches]



SPECIFICATIONS

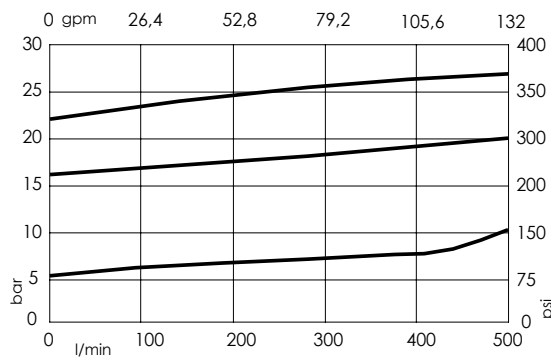
Max. operating pressure:	350 bar (5000 psi)
Rated flow:	500 l/min (132 gpm)
Cavity:	VP000178
Weight:	0,75 kg (1,65 lbs)
Spool:	Ø22 mm [0,87]
Installation torque:	280 - 300 Nm (207 - 221 ft-lb)
Seal kit:	RC700178
Contamination class to ISO 4406:	See technical spec.
MTF _d :	150 - 1200 years: See technical spec.

NOTES

Parts in body compensator

For other configurations/quick codes not available in this catalogue page please consult factory

CURVES



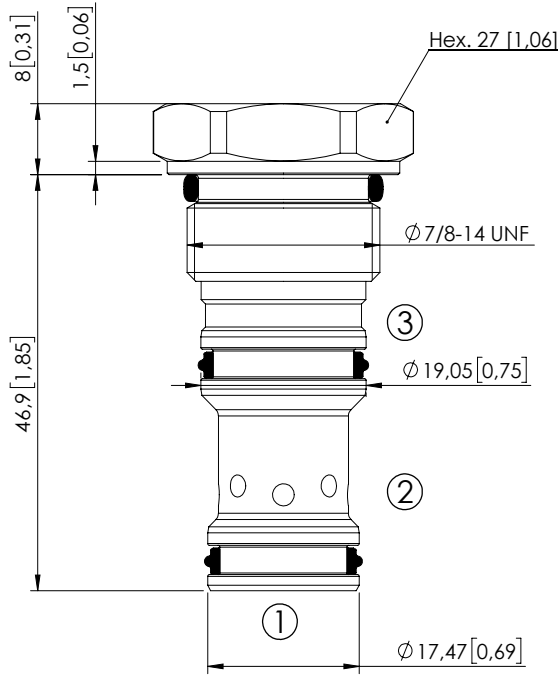
ORDERING CODES

Quick code	Description	Cracking pressure
CD000053	CDLN-500-SCTC-14-178-N005	5 bar (75 psi)
CD000255	CDLN-500-SCTC-14-178-N017	17 bar (250 psi)
CD000308	CDLN-500-SCTC-14-178-N023	23 bar (350 psi)

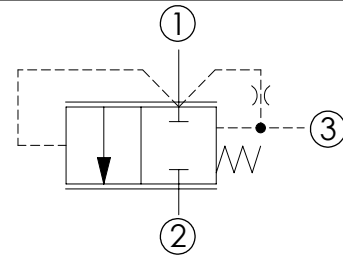
LOGIC ELEMENT

CDLN-100-CCPC

NORMALLY CLOSED
SPOOL TYPE



Dimensions: mm [inches]



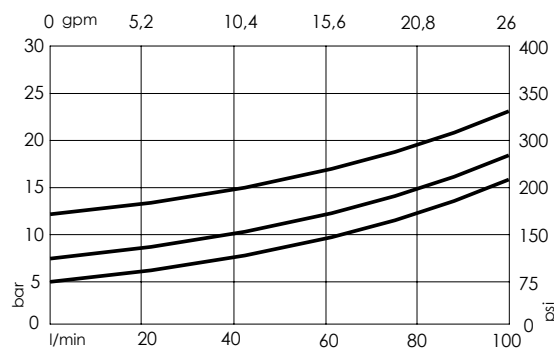
SPECIFICATIONS

Max. operating pressure:	350 bar (5000 psi)
Rated flow:	100 l/min (26 gpm)
Cavity:	SAE-10-3C
Weight:	0,11 kg (0,24 lbs)
Spool:	Ø10 mm [0,39]
Seal kit:	RB600087
Installation torque:	55 - 62 Nm (41 - 46 ft-lb)
Contamination class to ISO 4406:	See technical spec.
MTF _d :	150 - 1200 years: See technical spec.

NOTES

For other configurations/quick codes not available in this catalogue page please consult factory

CURVES



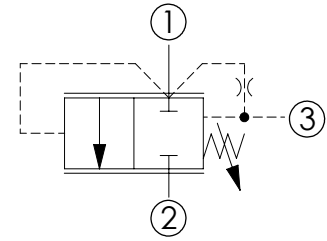
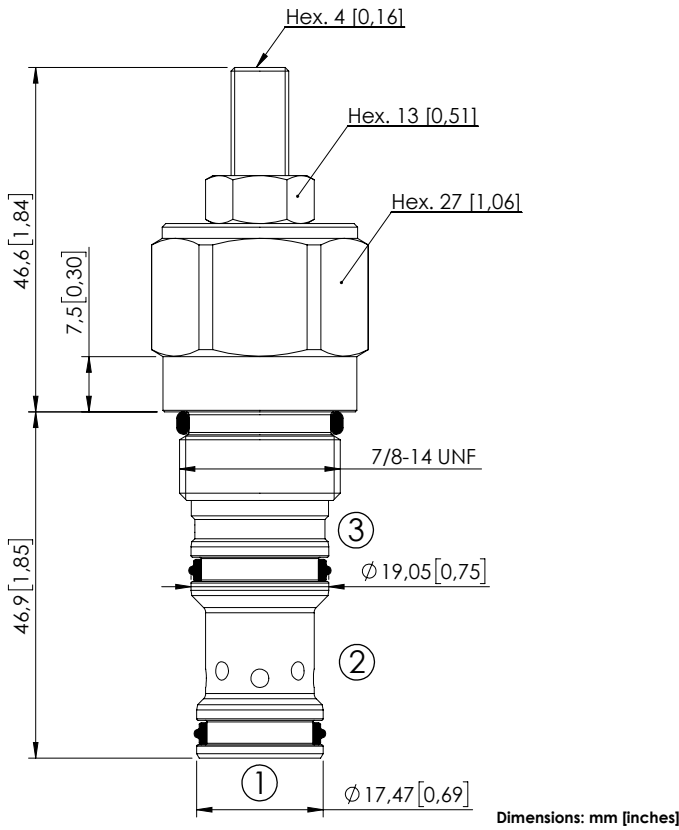
ORDERING CODES

Quick code	Description	Cracking pressure	
CD000511	CDLN-100-CCPC-13-S10-N005	5 bar (75 psi)	
CD000512	CDLN-100-CCPC-13-S10-N008	8 bar (120 psi)	
CD000513	CDLN-100-CCPC-13-S10-N012	12 bar (170 psi)	

LOGIC ELEMENT

CDLN-100-CCRC

NORMALLY CLOSED
SPOOL TYPE
ADJUSTABLE SETTING



SPECIFICATIONS

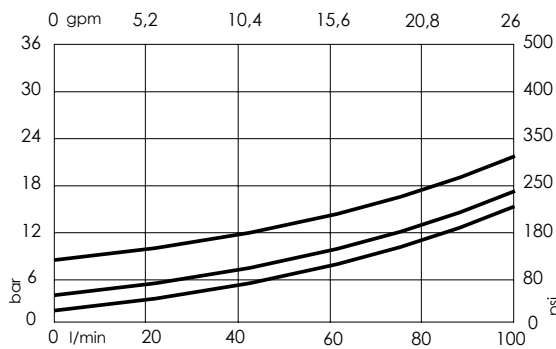
Max. operating pressure:	350 bar (5000 psi)
Rated flow:	100 l/min (26 gpm)
Cavity:	SAE-10-3C
Weight:	0,2 kg (0,44 lbs)
Spool:	Ø10 mm [0,39]
Installation torque:	55 - 62 Nm (41 - 46 ft-lb)
Seal kit:	RB600087
Contamination class to ISO 4406:	See technical spec.
MTF _d :	150 - 1200 years: See technical spec.

NOTES

For sealing, please contact AFT.

For other configurations/quick codes not available in this catalogue page please consult factory

CURVES



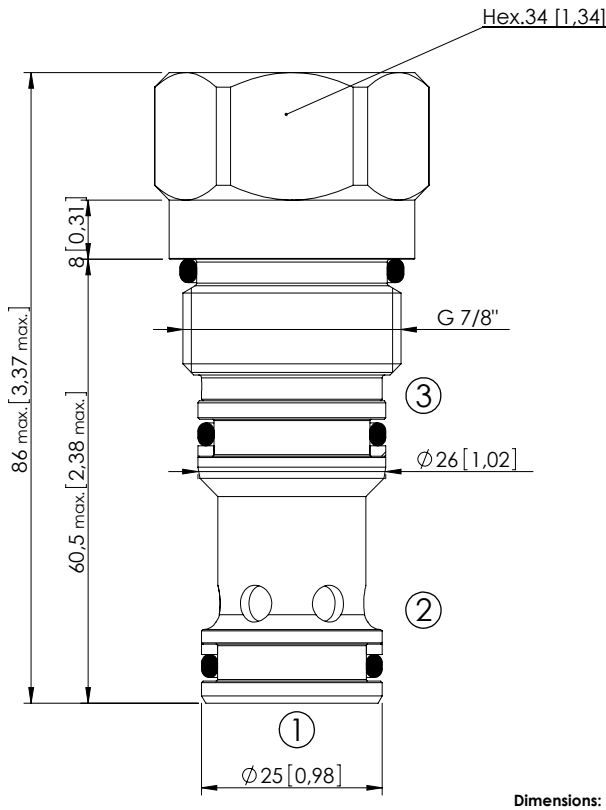
ORDERING CODES

Quick code	Description	Cracking pressure	Adjustment range	Pressure increase
CD000514	CDLN-100-CCRC-38-S10-H005	2,5 bar (35 psi)	1,5 - 5 bar (20-75 psi)	0,5 bar/turn (7 psi/turn)
CD000515	CDLN-100-CCRC-38-S10-H008	4 bar (50 psi)	2,5 - 8 bar (35-120 psi)	0,8 bar/turn (12 psi/turn)
CD000516	CDLN-100-CCRC-38-S10-H012	8 bar (120 psi)	4,5 - 12 bar (65-170 psi)	1 bar/turn (15 psi/turn)

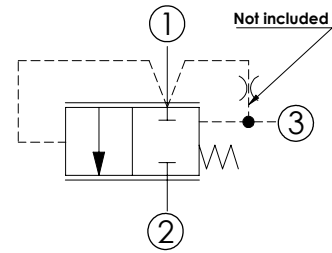
LOGIC ELEMENT

CDLN-160-SCTD

NORMALLY CLOSED
SPOOL TYPE
INTERNAL ORIFICE



Dimensions: mm [inches]



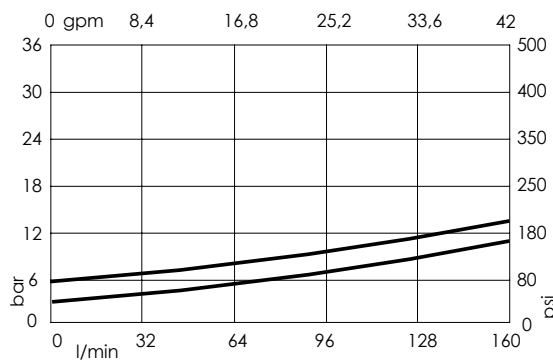
SPECIFICATIONS

Max. operating pressure:	350 bar (5000 psi)
Rated flow:	160 l/min (42 gpm)
Cavity:	VP000065
Weight:	0,32 kg (0,71 lbs)
Spool:	$\phi 16$ mm [0,63]
Installation torque:	135 - 145 Nm (100 - 107 ft-lb)
Internal orifice:	M6 thread
Seal kit:	RC900065
Contamination class to ISO 4406:	See technical spec.
MTTFa:	150 - 1200 years: See technical spec.

NOTES

Parts in body compensator
For other configurations/quick codes not available in this catalogue page please consult factory

CURVES



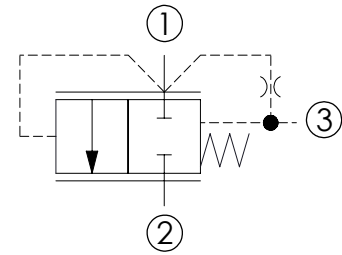
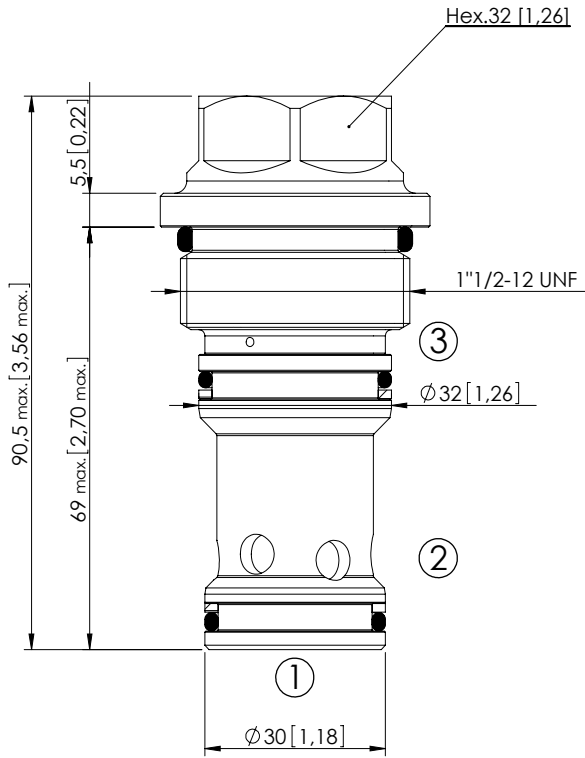
ORDERING CODES

Quick code	Description	Cracking pressure
CD000081	CDLN-160-SCTD-13-065-N002	2 bar (25 psi)
CD000066	CDLN-160-SCTD-13-065-N006	6 bar (80 psi)
CD000003	CDLN-160-SCTD-13-065-N012	12 bar (180 psi)
CD000004	CDLN-160-SCTD-13-065-N016	16 bar (240 psi)

LOGIC ELEMENT

CDLN-300-SCTD

NORMALLY CLOSED
SPOOL TYPE
INTERNAL ORIFICE



SPECIFICATIONS

Max. operating pressure:	350 bar (5000 psi)
Rated flow:	300 l/min (79 gpm)
Cavity:	VP000058
Weight:	0,45 kg (1 lbs)
Spool:	$\phi 19$ mm [0,75]
Installation torque:	280 - 300 Nm (207 - 221 ft-lb)
Internal orifice:	M6 thread
Seal kit:	RC700058
Contamination class to ISO 4406:	See technical spec.
MTTFa:	150 - 1200 years: See technical spec.

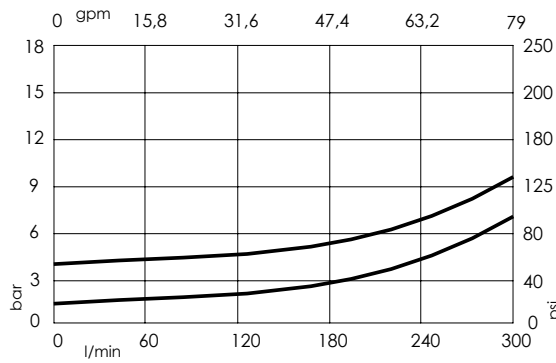
Dimensions: mm [inches]

NOTES

Parts in body compensator

For other configurations/quick codes not available in this catalogue page please consult factory

CURVES



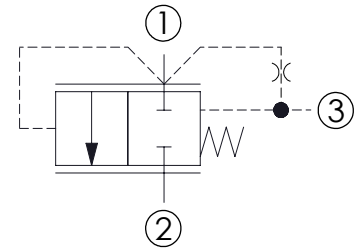
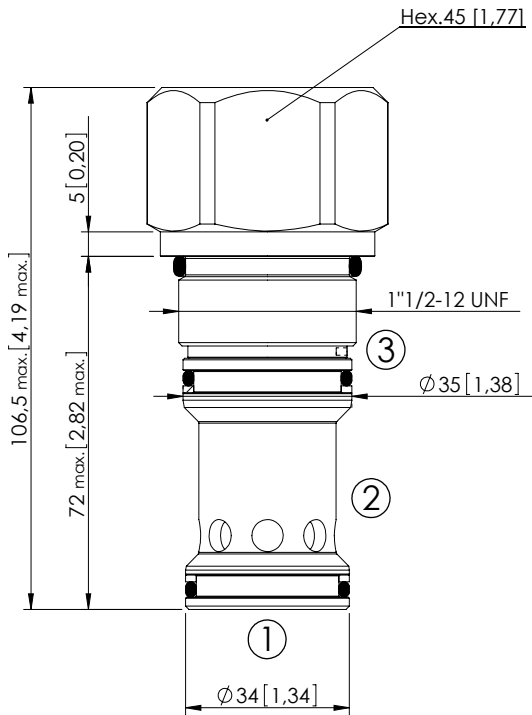
ORDERING CODES

Quick code	Description	Cracking pressure	
CD000095	CDLN-300-SCTD-13-058-N001	1,5 bar (25 psi)	
CD000110	CDLN-300-SCTD-13-058-N004	4 bar (50 psi)	

LOGIC ELEMENT

CDLN-500-SCTD

NORMALLY CLOSED
SPOOL TYPE
INTERNAL ORIFICE



SPECIFICATIONS

Max. operating pressure:	350 bar (5000 psi)
Rated flow:	500 l/min (132 gpm)
Cavity:	VP000178
Weight:	0,74 kg (1,63 lbs)
Spool:	Ø22 mm [0,87]
Installation torque:	280 - 300 Nm (207-221 ft-lb)
Internal orifice:	M6 thread
Seal kit:	RC700178
Contamination class to ISO 4406:	See technical spec.
MTTF:	150 - 1200 years: See technical spec.

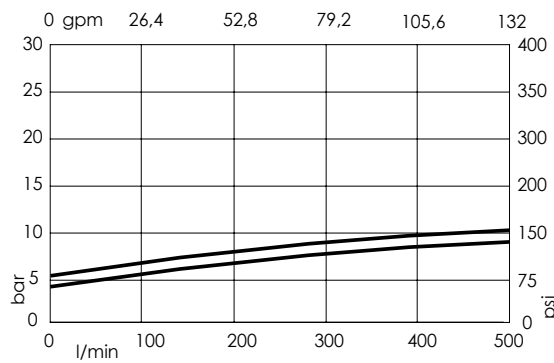
Dimensions: mm [inches]

NOTES

Parts in body compensator

For other configurations/quick codes not available in this catalogue page please consult factory

CURVES



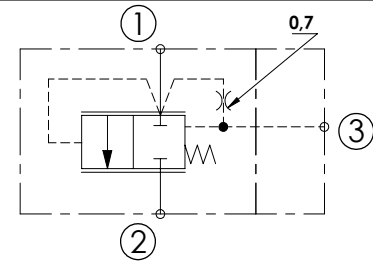
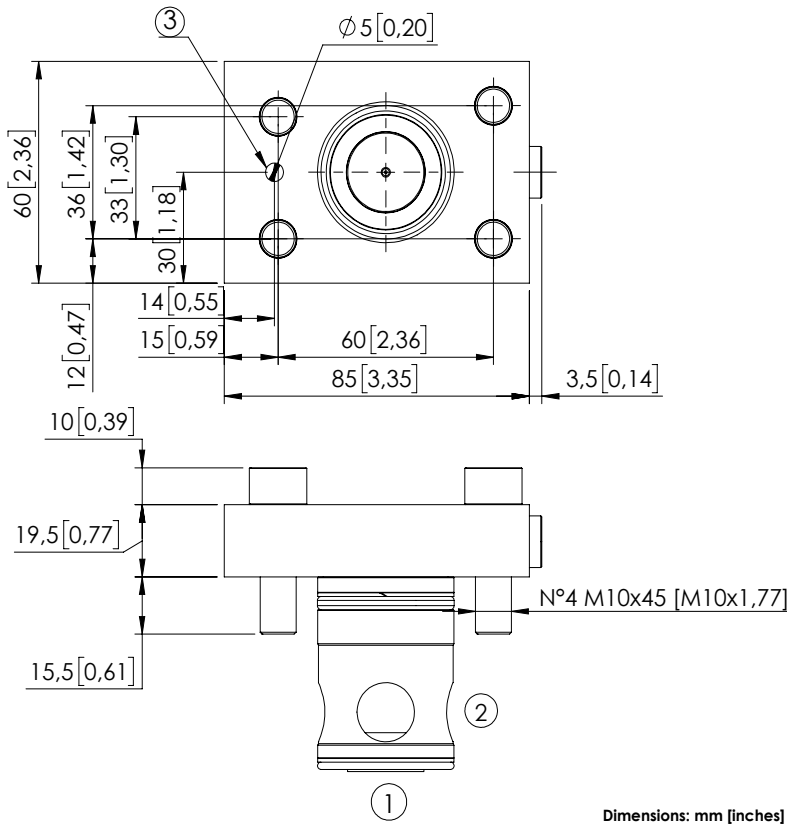
ORDERING CODES

Quick code	Description	Cracking pressure	
CD000067	CDLN-500-SCTD-13-178-N005	5 bar (75 psi)	
CD000335	CDLN-500-SCTD-13-178-N004	4 bar (50 psi)	

LOGIC ELEMENT

CDLN-500-PCPS

NORMALLY CLOSED
POPPET TYPE
EXTERNALLY PILOTED



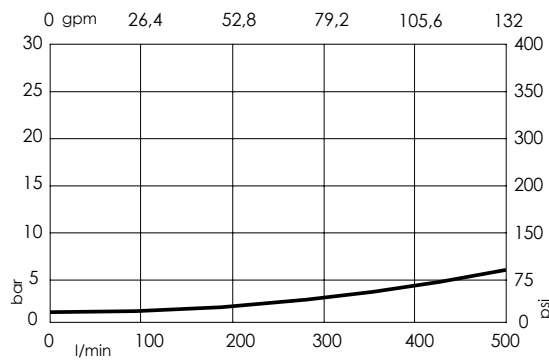
SPECIFICATIONS

Max. operating pressure:	350 bar (5000 psi)
Rated flow:	500 l/min (132 gpm)
Cavity:	VP000189
Weight:	1,1 kg (2,43 lbs)
Seal kit:	RC700189
Contamination class to ISO 4406:	See technical spec.
MTF _d :	150 - 1200 years: See technical spec.

NOTES

For other configurations/quick codes not available in this catalogue page please consult factory

CURVES



ORDERING CODES

Quick code	Description	Main ports size	Standard setting Q=1 l/min (0,3 gpm)	Configuration
CD000376	CDLN-500-PCPS-01-189-N350	T: G1/8"	1 bar (15 psi)	Logic element + cover
SC000049	SCLN-500-PCPS-01-189-N350	-	1 bar (15 psi)	Logic element