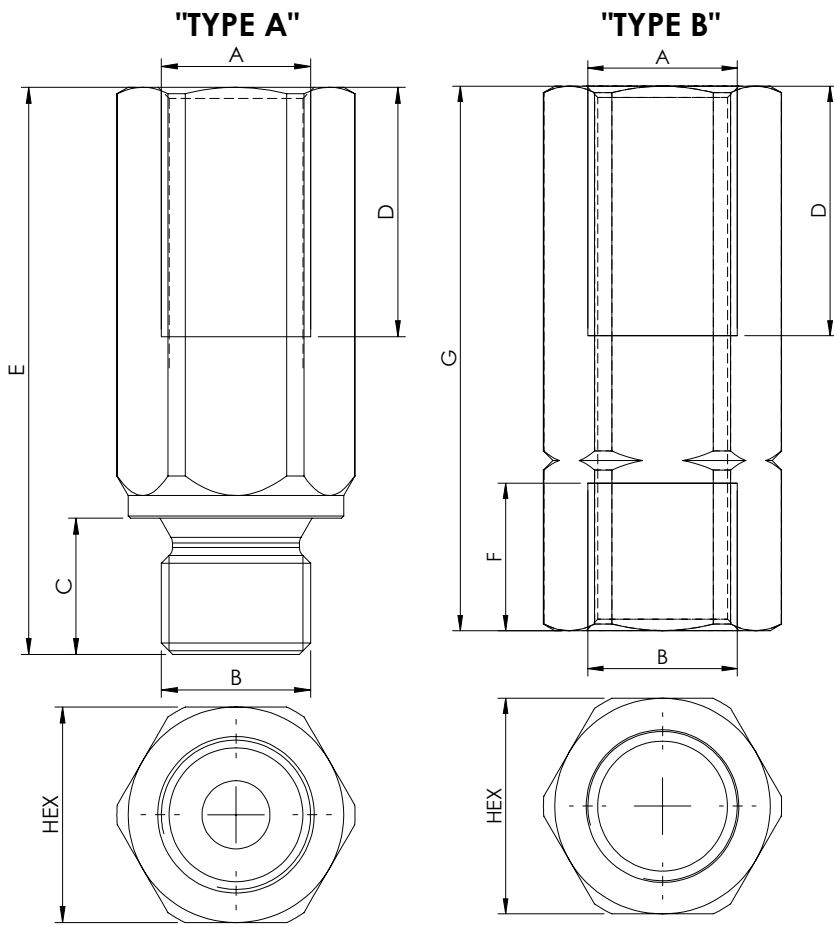


SLEEVE



Dimensions: mm [inches]

SPECIFICATIONS

Max. operating pressure:	350 bar (5000 psi)
Material:	Steel
Contamination class to ISO 4406:	See technical spec.
MTF _d :	150 - 1200 years: See technical spec.

NOTES

Suitable for:
 -Hose burst valve (CFHN-XXX-MHST)
 For other configurations/quick codes not available in this catalogue page
 please consult factory

ORDERING CODES

Quick code "TYPE A"	Quick code "TYPE B"	A/B	C	D	E	F	G	Hex.	Weight "TYPE A"	Weight "TYPE B"
PC000127	PC000315	G 1/4"	12 [0,47]	22 [0,86]	50 [1,97]	13 [0,51]	48 [1,89]	19 [0,75]	0,07 kg (0,15 lb)	0,07 kg (0,15 lb)
PC000128	PC000260	G 3/8"	12 [0,47]	26 [1,02]	55 [2,17]	13 [0,51]	52 [2,05]	22 [0,87]	0,09 kg (0,20 lb)	0,09 kg (0,20 lb)
PC000129	PC000349	G 1/2"	14 [0,55]	30 [1,18]	65 [2,55]	15 [0,59]	60 [2,36]	27 [1,06]	0,16 kg (0,35 lb)	0,15 kg (0,33 lb)
PC000130	PC000496	G 3/4"	16 [0,63]	38 [1,49]	78 [3,07]	17 [0,66]	72 [2,83]	32 [1,26]	0,25 kg (0,55 lb)	0,23 kg (0,51 lb)
PC000580	PC000581	G 1"	18 [0,70]	47 [1,85]	92 [3,62]	19 [0,74]	85 [3,34]	41 [1,61]	0,50 kg (1,1 lb)	0,46 kg (1,0 lb)