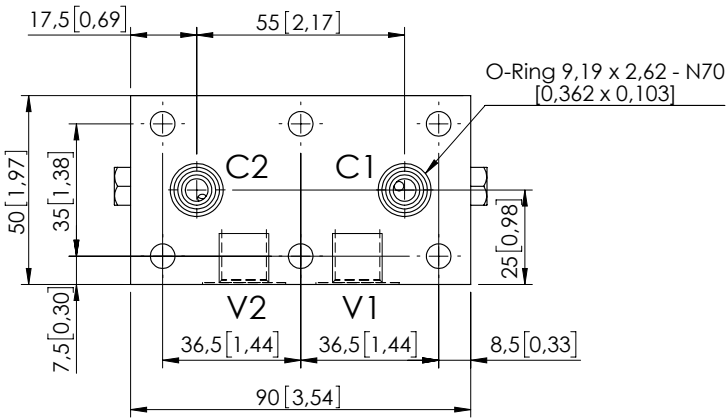
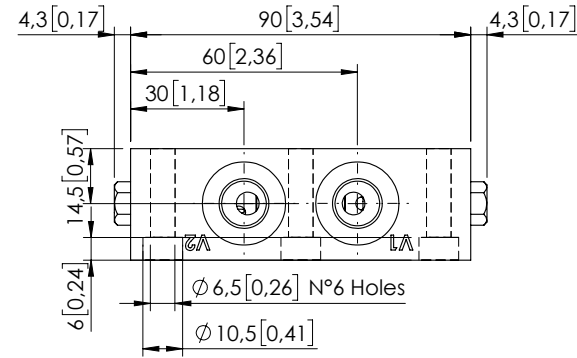
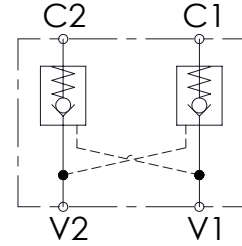


MCDN-030-ZBNS

DOUBLE ACTING
TWO FLANGED PORTS



Dimensions: mm [inches]



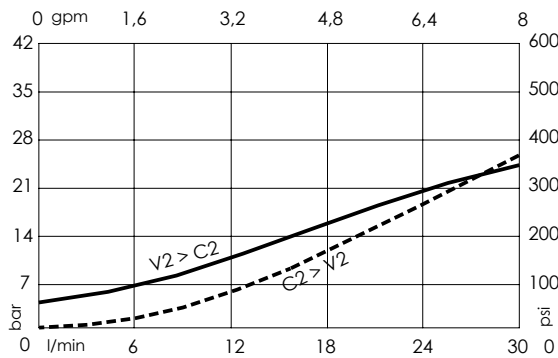
SPECIFICATIONS

| | |
|----------------------------------|---------------------------------------|
| Max. operating pressure: | 350 bar (5000 psi) |
| Rated flow: | 30 l/min (8 gpm) |
| Manifold: | Aluminium |
| Weight: | 0,36 kg (0,79 lbs) |
| Contamination class to ISO 4406: | See technical spec. |
| MTF _a : | 150 - 1200 years: See technical spec. |

NOTES

For other configurations/quick codes not available in this catalogue page please consult factory

CURVES



ORDERING CODES

| Quick code | Description | Main ports size | Pilot ratio | Cracking pressure | O-ring on pilot piston |
|------------|---------------------------|---------------------------|-------------|-------------------|------------------------|
| MC000086 | MCDN-030-ZBNS-04-G14-N004 | V1,V2:G 1/4" C1,C2:Ø 6 | 4:1 | 4 bar (50 psi) | NO |
| | | | | | |
| | | | | | |
| | | | | | |
| | | | | | |