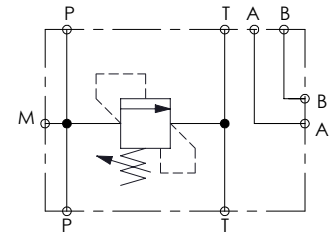
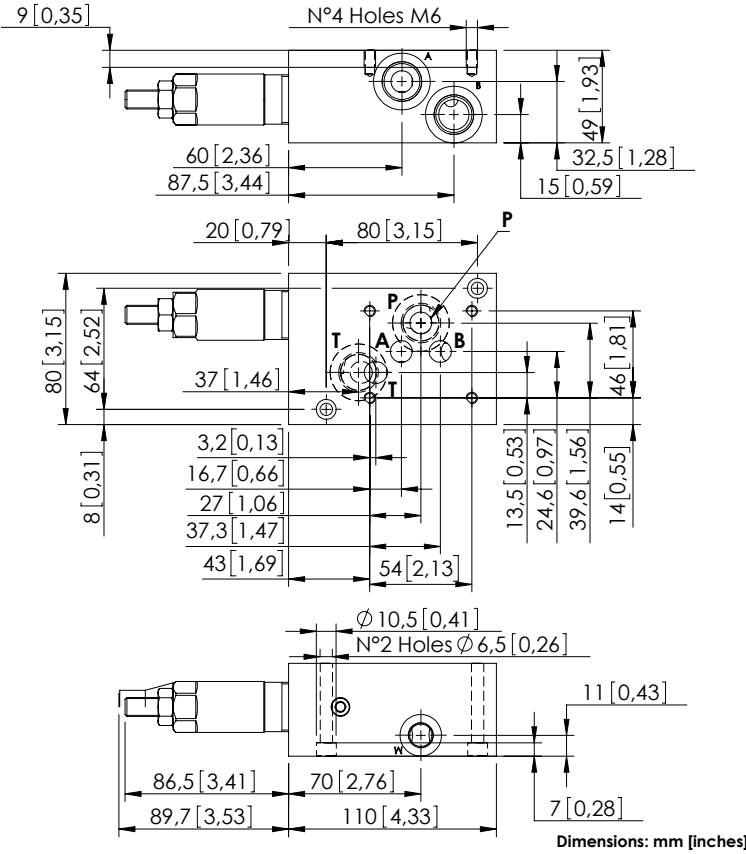


KPLN-080-DPNA

CETOP 5
SUBPLATE



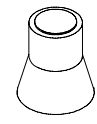
SPECIFICATIONS

Max. operating pressure:	350 bar (3000 psi)
Rated flow:	80 l/min (21 gpm)
Manifold:	Aluminium
Weight:	1,26 kg (2,77 lbs)
Contamination class to ISO 4406:	See technical spec.
MTTfa:	150 - 1200 years: See technical spec.

NOTES

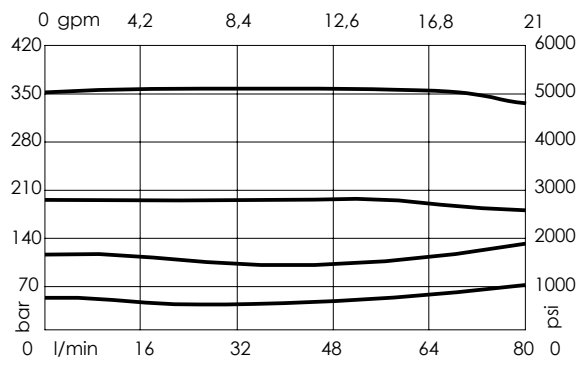
For other configurations/quick codes not available in this catalogue page please consult factory

SEALING CAP



Ordering code:
AT000021

CURVES



ORDERING CODES

Quick code	Description	Ports	Standard setting Q=5 l/min (1,3 gpm)	Adjustment range	Pressure increase
KP000075	KPLN-080-DPNA-HN-N10-N350	A,B,P,T : CETOP 5 A,B,P,T : G 1/2" ; M: G1/4"	350 bar (5000 psi)	100-350 bar (1400-5000 psi)	42 bar/turn (600 psi/turn)
KP000076	KPLN-080-DPNA-HN-N10-N200	A,B,P,T : CETOP 5 A,B,P,T : G 1/2" ; M: G1/4"	200 bar (2800 psi)	60-210 bar (850-3000 psi)	24 bar/turn (350 psi/turn)
KP000077	KPLN-080-DPNA-HN-N10-N100	A,B,P,T : CETOP 5 A,B,P,T : G 1/2" ; M: G1/4"	100 bar (1400 psi)	25-100 bar (350-1400 psi)	13 bar/turn (200 psi/turn)
KP000102	KPLN-080-DPNA-HN-N10-N050	A,B,P,T : CETOP 5 A,B,P,T : G 1/2" ; M: G1/4"	50 bar (700 psi)	5-50 bar (100-700 psi)	9 bar/turn (150 psi/turn)