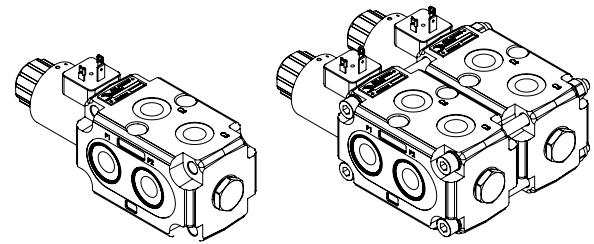
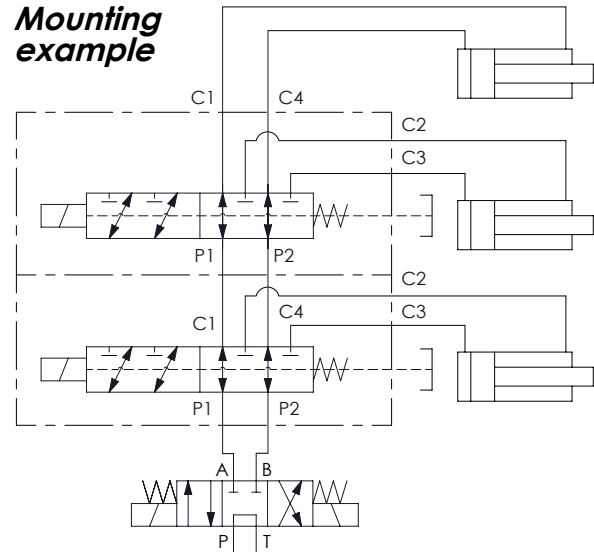


**	Circuit	Transit position
01		
02		
03		

*Only external drain



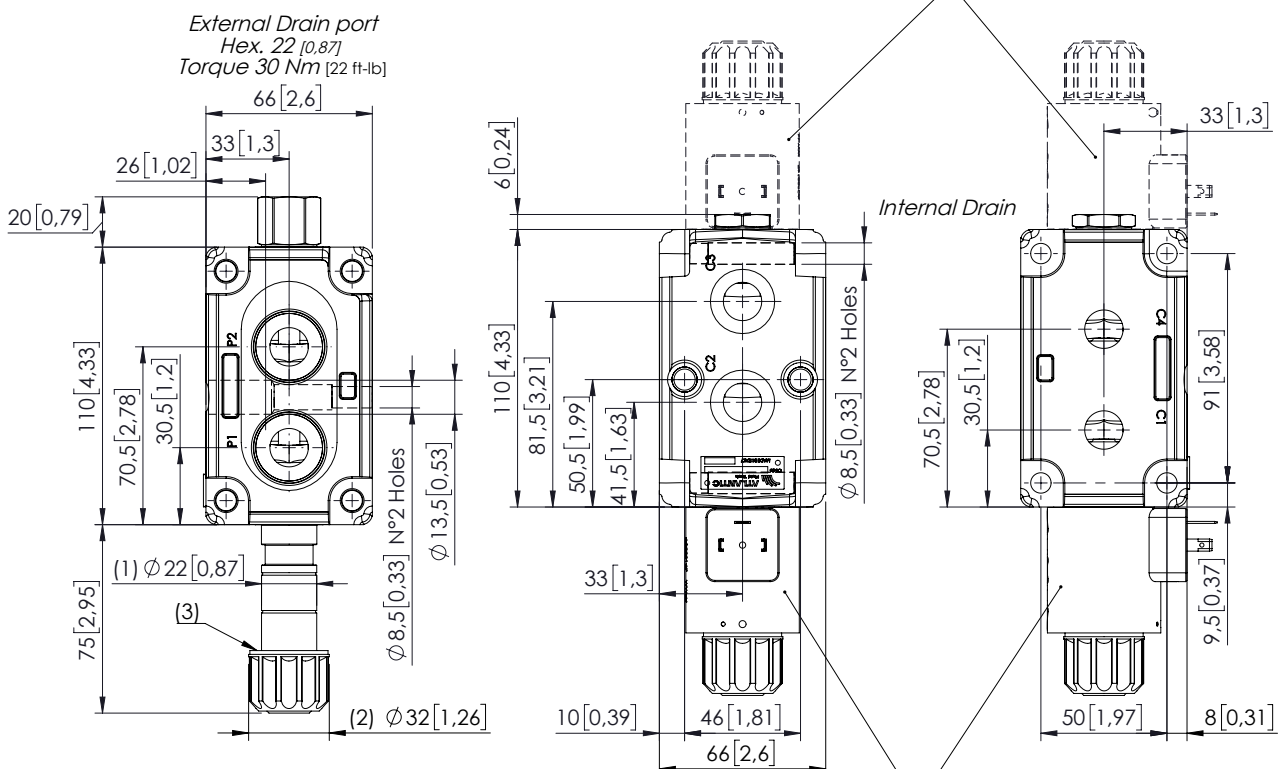
Mounting example



Technical data			
Rated flow		l/min (gpm)	50 (13)
Operating pressure	with internal drain "N"	bar (psi)	250 (3600)
	with external drain "E"	bar (psi)	350 (5000)
	on port D	bar (psi)	210 (2900)
Valve weight		Kg (lb)	3,8 (8,3)

OVERALL DIMENSIONS

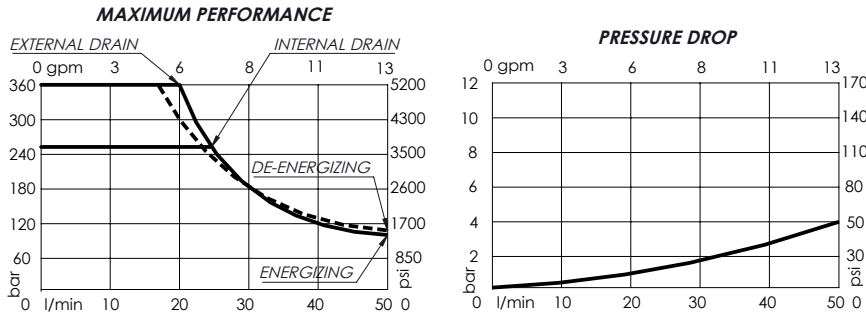
Dimensions: mm [inches]



- (1) Solenoid tube hex.19 [0,75] - Torque 30 Nm [22 ft-lb]
- (2) Ring nut for coil locking - Torque 5-6 Nm [4-5 ft-lb]
- (3) O-Ring Ø 21,5x2 [0,85x0,08]

Characteristic curves

Measured with hydraulic fluid ISO-VG46 at 40°±5°C (104° F ±41° F)



Internal leakage on C ports:
 MAX 25 cm³/min (1.5 in³/min)
 Mineral oil with 32 cSt viscosity,
 at 40° C (104° F) and
 100 bar (1400 psi) pressure.

* OPERATED	Circuit	* MANUAL OVERRIDE	* DRAIN	Circuit
E Electric 		S Standard 	N Internal 	
N Hydraulic/pneumatic (4) Hydraulic or pneumatic pilot connector: Torque 20-22 Nm [15-16 ft-lb] With external drain Pilot Pressure Min. 5 bar [70 psi] With internal drain Pilot Pressure is 1/10 of the working pressure		N Without manual override	*** Main (C) Drain (D)	
			PORTS G38 3/8" Gas 1/4" Gas J38 3/8" JIS 1/4" JIS S08 3/4-16 UNF 7/16-20 UNF Other port sizes available	

CIRCUIT

N - Seals in NBR
 V - Seals in VITON

ESFB - 050 - * * D * - ** - * - * ** * ****

* Voltage (V)	Resistance (Ω) ±7%	Power (W)	Current (A)
-	Without coil		
A 12 DC	4,41	32,7	2,72
B 24 DC	18,6	31	1,29

Other voltages available on request

* COIL	Type	Protection class
-	Without coil	
HR	DIN 43650 - ISO 4400 Class H	M12 IP65
AJ	AMP JUNIOR Class H	M12 IP65
DT	DEUTSCH DT04-2P-L Class H	M12 IP69

TYPE OF MOUNTING

* Port number	Screw Tie rods	Installation torque
-	-	-
08	M8x125 [M8x5,2]	15-17 Nm [11-13 ft-lb]
10	M8x190 [M8x7,8]	15-17 Nm [11-13 ft-lb]
12	M8x255 [M8x10,39]	15-17 Nm [11-13 ft-lb]
14	M8x320 [M8x12,99]	15-17 Nm [11-13 ft-lb]