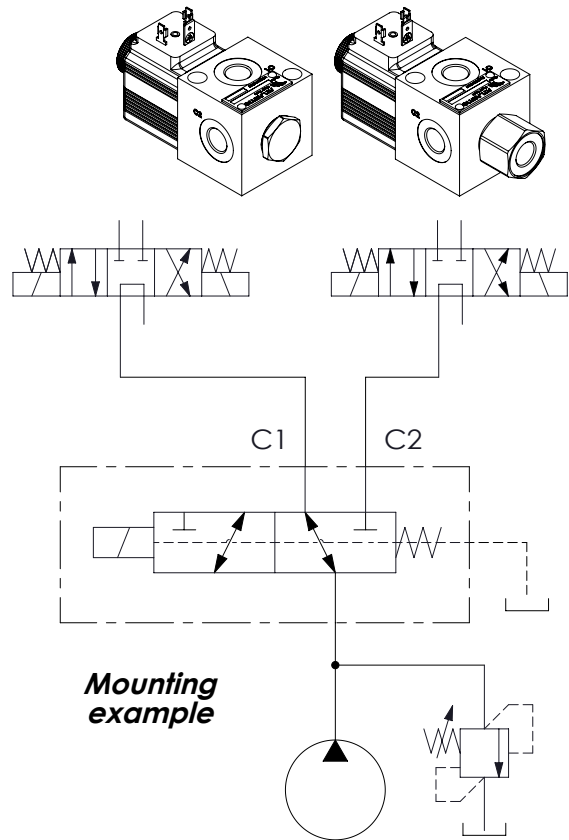
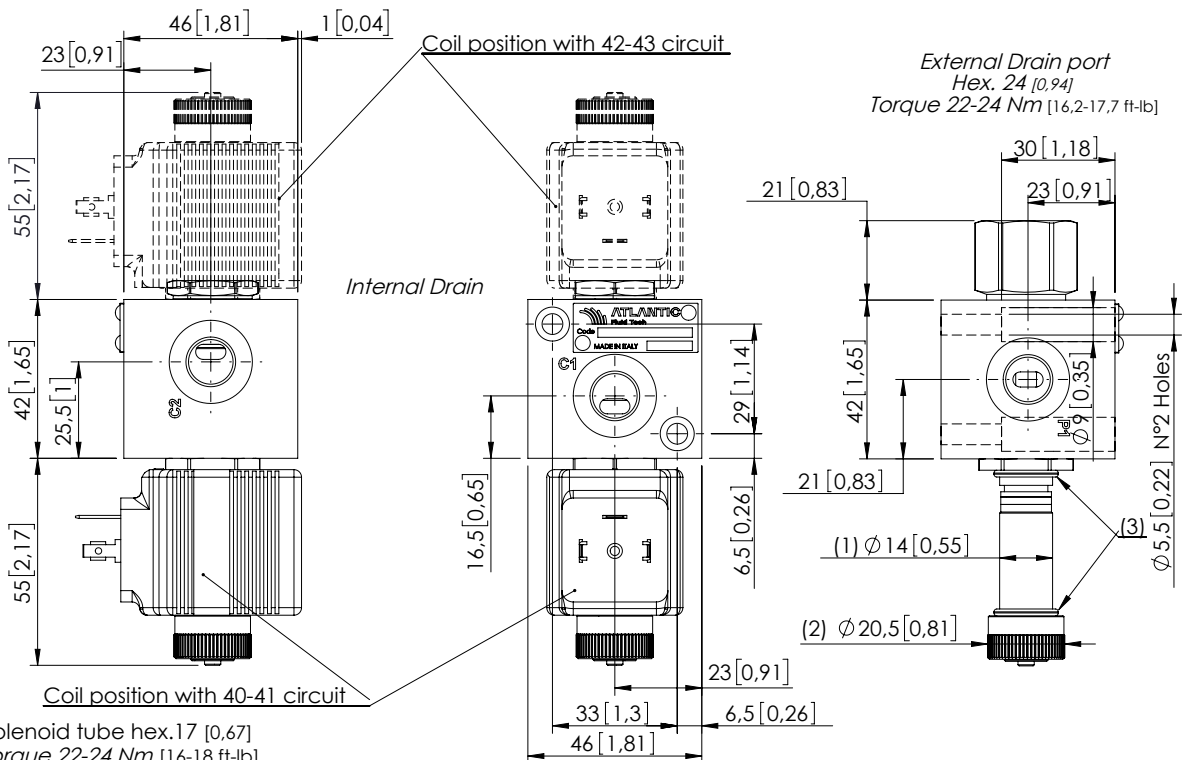


**	Circuit	Transit position
40		
41		
42		
43		



Technical data		
Rated flow	l/min (gpm)	<b>25</b> (7)
Operating pressure	with internal drain "N"	bar (psi) <b>250</b> (3600)
	with external drain "E"	bar (psi) <b>310</b> (4500)
Valve weight	Kg (lb)	<b>1,1</b> (1,8)

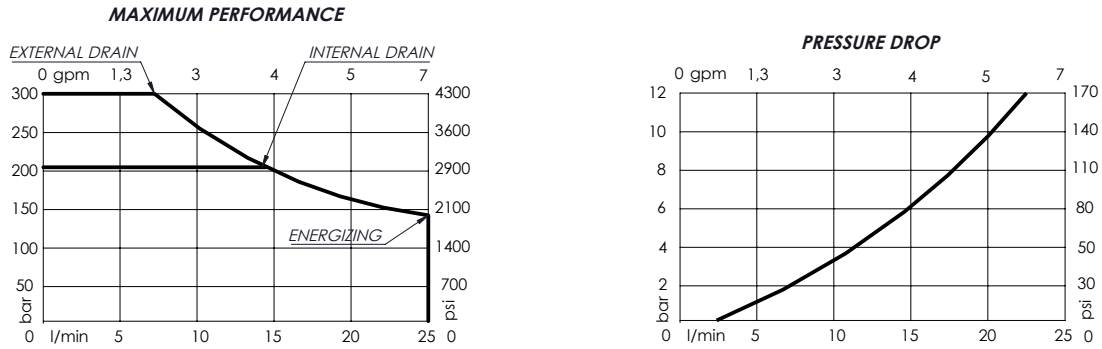
## OVERALL DIMENSIONS



- (1) Solenoid tube hex.17 [0,67]  
Torque 22-24 Nm [16-18 ft-lb]
- (2) Ring nut for coil locking - Torque 5-6 Nm [4-5 ft-lb]
- (3) O-Ring  $\phi 14 \times 1,78$  [0,55x0,07]

# Characteristic curves

Measured with hydraulic fluid ISO-VG46 at 40°C ± 5°C (104°F ± 41°F)



Internal leakage on C ports: MAX 15 cm³/min (0,91 in³/min) Mineral oil with 32 cSt viscosity, at 40°C (104°F) and 100 bar (1400 psi) pressure.

<b>*</b>	<b>OPERATED</b>	<i>Circuit</i>	<b>*</b>	<b>MANUAL OVERRIDE</b>	<b>*</b>	<b>DRAIN</b>	<i>Circuit</i>															
<b>E</b>	Electric 		<b>S</b>	Standard 	<b>N</b>	Internal 																
<b>N</b>	Hydraulic/pneumatic 		<b>V</b>	Screw 	<b>E</b>	External 																
			<b>N</b>	Without manual override	<table border="1"> <thead> <tr> <th colspan="3">PORTS</th> </tr> </thead> <tbody> <tr> <td>***</td> <td>Main (C)</td> <td>Drain (D)</td> </tr> <tr> <td><b>G14</b></td> <td>1/4" Gas</td> <td>1/4" Gas</td> </tr> <tr> <td></td> <td></td> <td></td> </tr> <tr> <td></td> <td></td> <td></td> </tr> </tbody> </table> <p>Other port sizes available</p>			PORTS			***	Main (C)	Drain (D)	<b>G14</b>	1/4" Gas	1/4" Gas						
PORTS																						
***	Main (C)	Drain (D)																				
<b>G14</b>	1/4" Gas	1/4" Gas																				

(4) Hydraulic or pneumatic pilot connector:  
Torque 20-22 Nm [15-16 ft-lb]  
With external drain Pilot Pressure Min. 5 bar [70 psi]  
With internal drain Pilot Pressure is 1/10 of the working pressure

**CIRCUIT**

**N - Seals in NBR**  
**V - Seals in VITON**

**ESCB - 025 - \* \* A \* - \*\* - \*\*\* - \* \*\* \***

<b>*</b>	<b>Voltage (V)</b>	<b>Resistance (Ω) ± 7%</b>	<b>Power (W)</b>	<b>Current (A)</b>
-	<i>Without coil</i>			
<b>A</b>	12 DC	5,53	26	2,17
<b>B</b>	24 DC	22,1	26	1,08
<i>Other voltages available on request</i>				

<b>*</b>	<b>COIL</b>	<b>Type</b>	<b>Protection class</b>
-	<i>Without coil</i>		
<b>HR</b>	DIN 43650 - ISO 4400 Class H	M14	IP65
<b>AJ</b>	AMP JUNIOR Class H	M14	IP65
<b>DT</b>	DEUTSCH DT04-2P-L Class H	M14	IP69