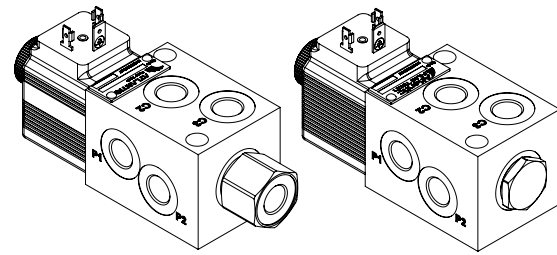
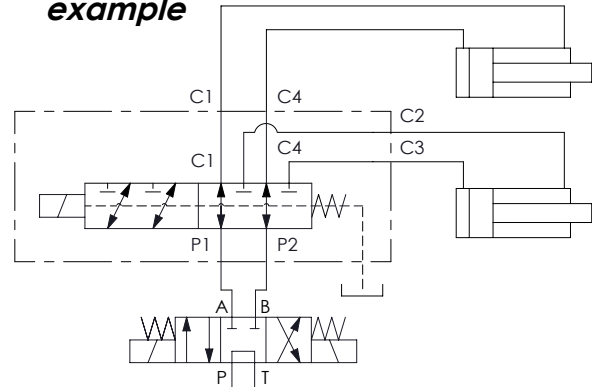


**	Circuit	Transit position
01		
02		
03		

\*Only external drain



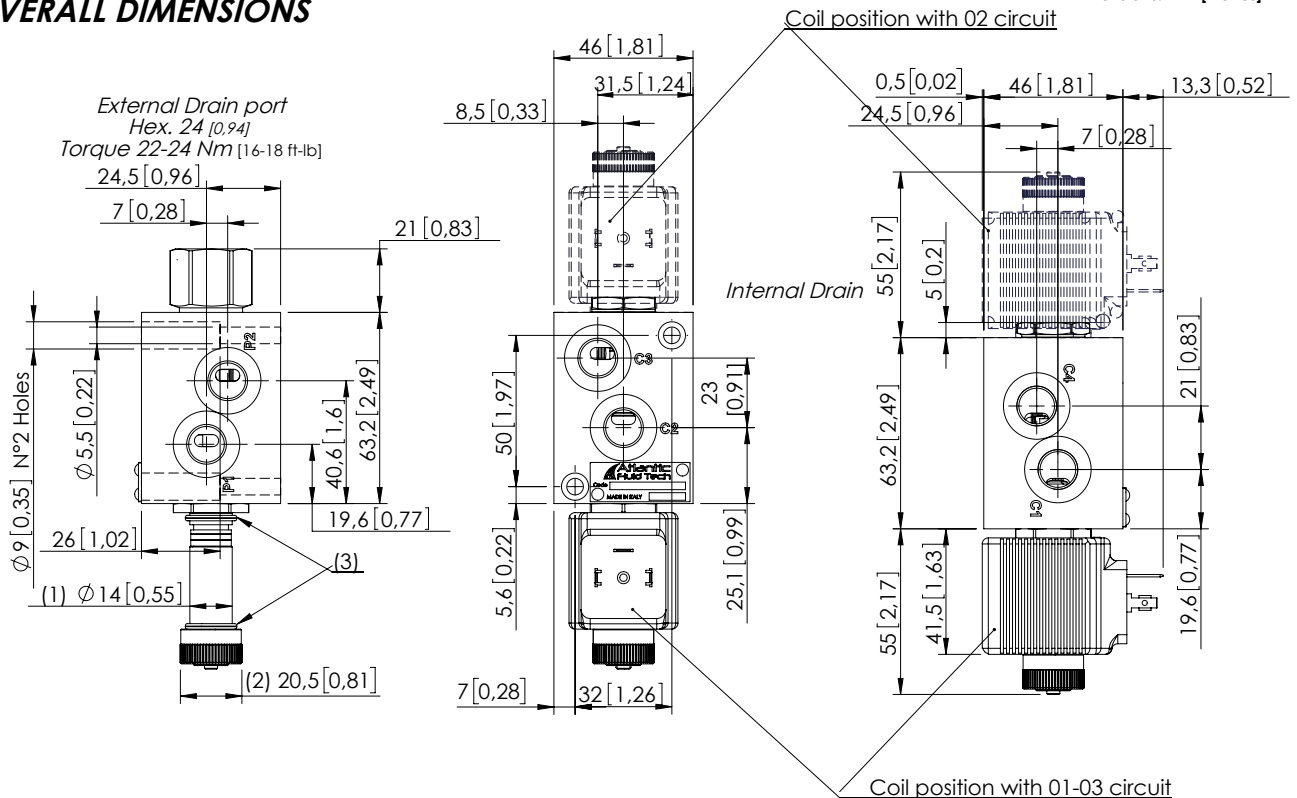
### Mounting example



Technical data			
Rated flow		l/min (gpm)	<b>25</b> (7)
Operating pressure	with internal drain "N"	bar (psi)	<b>250</b> (3600)
	with external drain "E"	bar (psi)	<b>310</b> (4500)
Valve weight		Kg (lb)	<b>1,1</b> (2,4)

## OVERALL DIMENSIONS

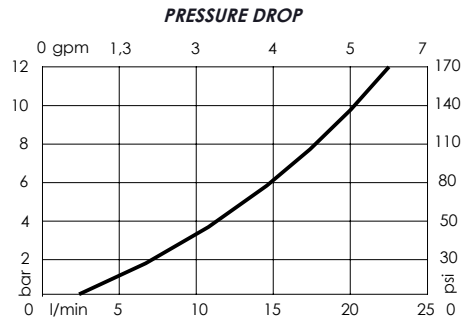
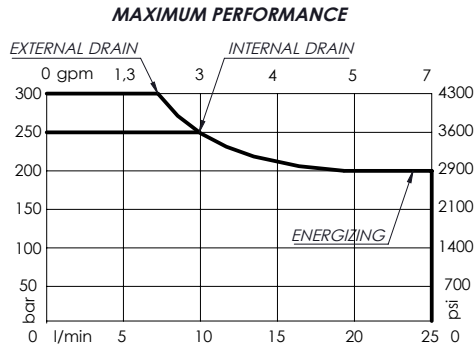
Dimensions: mm [inches]



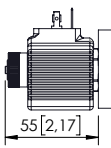
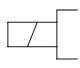
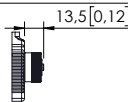

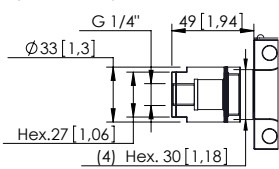
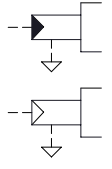
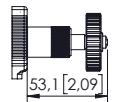
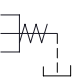
- (1) Solenoid tube hex.17 [0,67] - Torque 22-24 Nm [16-18 ft-lb]
- (2) Ring nut for coil locking - Torque 5-6 Nm [4-5 ft-lb]
- (3) O-Ring Ø 14x1,78 [0,55x0,07]

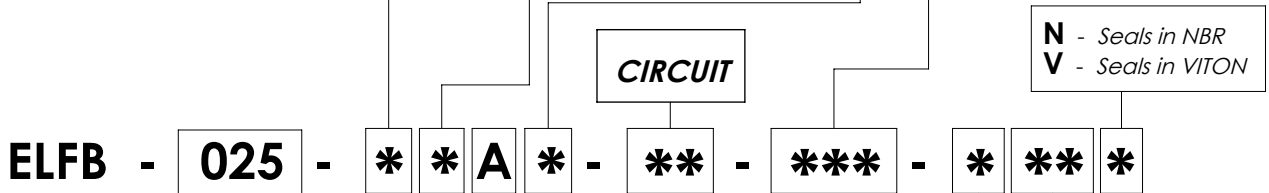
# Characteristic curves

Measured with hydraulic fluid ISO-VG46 at 40°±5°C (104° F ± 41° F)






Internal leakage on C ports: MAX 15 cm<sup>3</sup>/min (0,91 in<sup>3</sup>/min) Mineral oil with 32 cSt viscosity, at 40° C (104° F) and 100 bar (1400 psi) pressure.

<b>*</b>	<b>OPERATED</b>	<i>Circuit</i>	<b>*</b>	<b>MANUAL OVERRIDE</b>	<b>*</b>	<b>DRAIN</b>	<i>Circuit</i>																		
<b>E</b>	Electric 		<b>S</b>	Standard 	<b>N</b>	Internal 																			
<b>N</b>	Hydraulic/pneumatic  <i>(4) Hydraulic or pneumatic pilot connector: Torque 20-22 Nm [15-16 ft-lb] With external drain Pilot Pressure Min. 5 bar [70 psi] With internal drain Pilot Pressure is 1/10 of the working pressure</i>		<b>V</b>	Screw 	<b>E</b>	External 																			
			<b>N</b>	Without manual override	<table border="1"> <tr> <th colspan="3">PORTS</th> </tr> <tr> <td>***</td> <td>Main (C)</td> <td>Drain (D)</td> </tr> <tr> <td><b>G14</b></td> <td>1/4" Gas</td> <td>1/4" Gas</td> </tr> <tr> <td></td> <td></td> <td></td> </tr> <tr> <td></td> <td></td> <td></td> </tr> <tr> <td colspan="3">Other port sizes available</td> </tr> </table>			PORTS			***	Main (C)	Drain (D)	<b>G14</b>	1/4" Gas	1/4" Gas							Other port sizes available		
PORTS																									
***	Main (C)	Drain (D)																							
<b>G14</b>	1/4" Gas	1/4" Gas																							
Other port sizes available																									



<b>*</b>	Voltage (V)	Resistance (Ω) ± 7%	Power (W)	Current (A)
-	Without coil			
<b>A</b>	12 DC	5,53	26	2,17
<b>B</b>	24 DC	22,1	26	1,08
Other voltages available on request				

<b>*</b>	COIL	Type	Protection class
-	Without coil		
<b>HR</b>	 DIN 43650 - ISO 4400 Class H	M14	IP65
<b>AJ</b>	 AMP JUNIOR Class H	M14	IP65
<b>DT</b>	 DEUTSCH DT04-2P-L Class H	M14	IP69