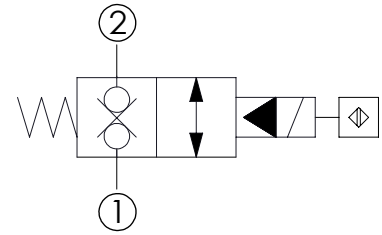
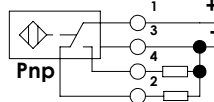
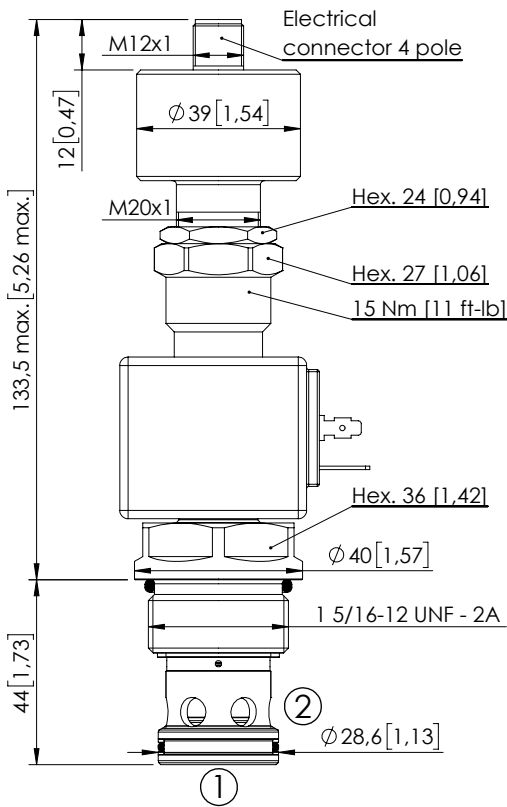


SOLENOID OPERATED CARTRIDGE

**CEBN-310-NCDR-31**

POPPET TYPE  
PROXIMITY SENSOR



**SPECIFICATIONS**

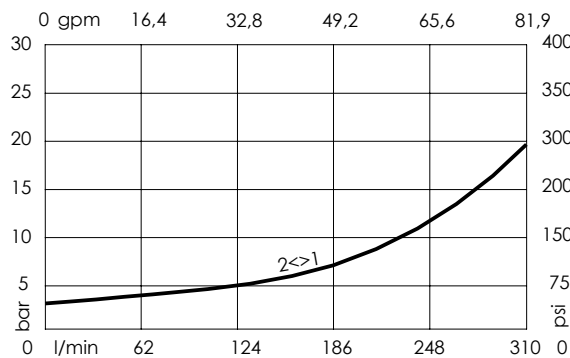
|                                  |                                       |
|----------------------------------|---------------------------------------|
| Max. operating pressure:         | 350 bar (5000 psi)                    |
| Rated flow:                      | 310 l/min (82 gpm)                    |
| Cavity:                          | SAE-16-2N                             |
| Weight:                          | 0,7 kg (1,54 lbs)                     |
| Min. voltage required:           | 90% of nominal                        |
| Coil type:                       | M7 type                               |
| Ambient temperature:             | -20/+50 °C (-4/+122 °F)               |
| Contamination class to ISO 4406: | See technical spec.                   |
| Seal kit:                        | RB100084                              |
| Installation torque:             | 200 - 210 Nm (148 - 155 ft-lb)        |
| MTF <sub>d</sub> :               | 150 - 1200 years: See technical spec. |
| Operating temperature:           | -25/+80°C (-13/+176 °F)               |

Dimensions: mm [inches]

**NOTES**

For other configurations/quick codes not available in this catalogue page please consult factory

**CURVES**



**ORDERING CODES**

| Quick code | Description                    | Connector | Voltage | Options          |
|------------|--------------------------------|-----------|---------|------------------|
| CE001046   | CEBN-310-NCDR-31-S16-V350-12HR | DIN 43650 | 12V DC  | Proximity sensor |
| CE001068   | CEBN-310-NCDR-31-S16-V350-24HR | DIN 43650 | 24V DC  | Proximity sensor |
|            |                                |           |         |                  |
|            |                                |           |         |                  |
|            |                                |           |         |                  |