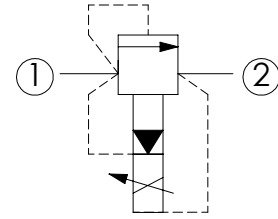
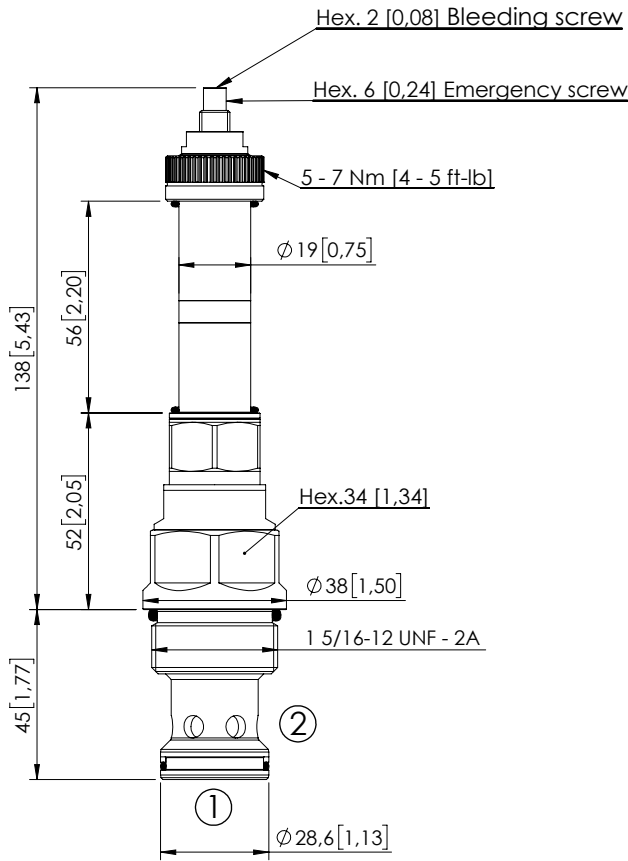


# CEBT-300-PLPS

PROPORTIONAL VALVES  
PILOTED RELIEF  
SPOOL TYPE



## SPECIFICATIONS

Max. operating pressure:	350 bar (5000 psi)
Rated flow:	300 l/min (80 gpm)
Cavity:	SAE-16-2N
Weight:	0,6 kg (1,10 lbs)
Type hydraulic fluid:	See Technical specif.
Hydraulic fluid temp. range:	-30/+100 °C (-22/+212 °F)
Contamination class to ISO 4406:	See technical spec.
Coil type:	M15 type
Ambient temperature:	-20/+50 °C (-4/+122 °F)
PWM range recommended:	150-180 Hz
Installation torque:	118 - 132 Nm (87 - 97 ft-lb)
Max. int. leakage:	200 cm <sup>3</sup> /min (@46 cSt) 12 in <sup>3</sup> /min (@46 cSt)
Seal kit:	RA100084
MTTFd:	150 - 1200 years: See technical spec.

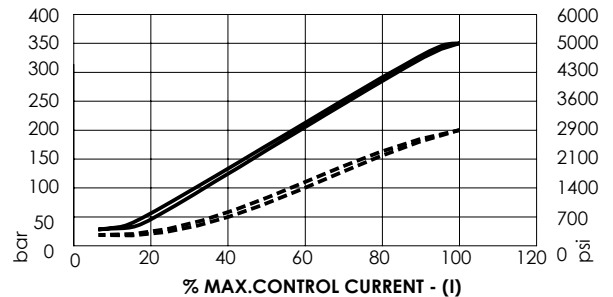
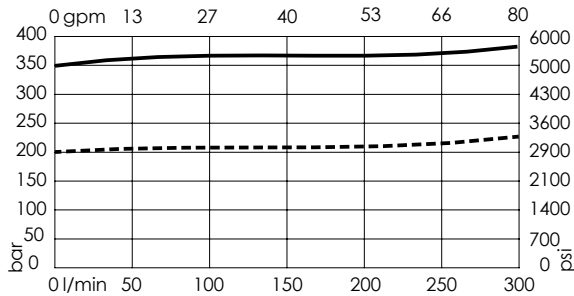
Dimensions: mm [inches]

## NOTES

Bleed air before use

For other configurations/quick codes not available in this catalogue page please consult factory

## CURVES



CE000880 1>2————

CE000895 1>2-----

## ORDERING CODES

Quick code	Description	Proportional setting range	Threshold current (with 12VDC coil)	Max control current (with 12V DC coil)	Override
CE000880	CEBT-300-PLPS-91-S16-V350	30-350 bar (450-5000 psi)	200 mA (+/-7%)	1600 mA (+/-7%)	Screw style
CE000895	CEBT-300-PLPS-91-S16-V200	20-200 bar (300-2900 psi)	200 mA (+/-7%)	1700 mA (+/-7%)	Screw style