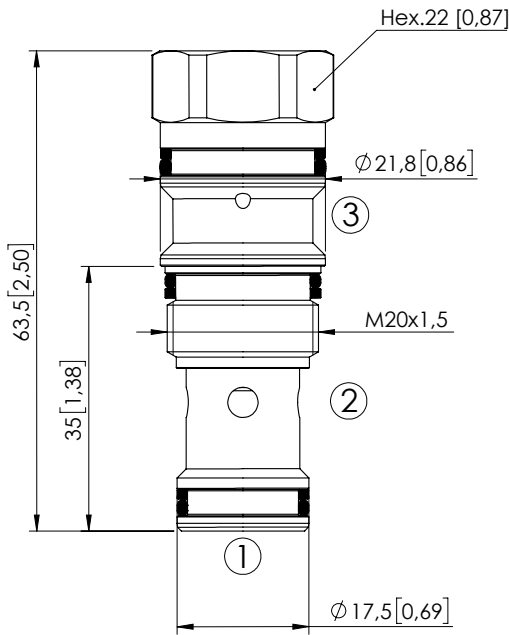
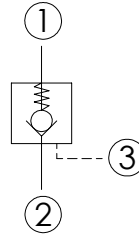


CDPN-060-PSGR

INTEGRAL PILOT
PISTON



Dimensions: mm [inches]



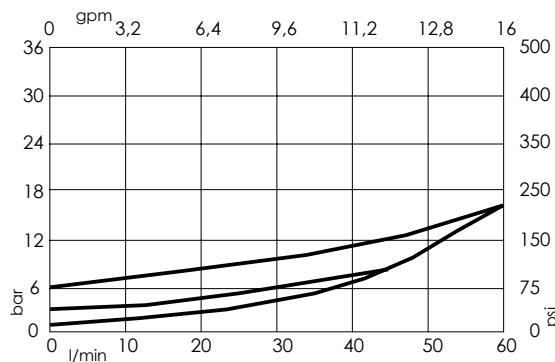
SPECIFICATIONS

Max. operating pressure:	350 bar (5000 psi)
Rated flow:	60 l/min (16 gpm)
Cavity:	VP000161 (SUN T-11A)
Weight:	0,12 kg (0,27 lbs)
Pilot ratio:	3,2:1
Contamination class to ISO 4406:	See technical spec.
Seal kit:	RC700161
Installation torque:	40 - 50 Nm (30 - 37 ft-lb)
MTF _a :	150 - 1200 years: See technical spec.

NOTES

For other configurations/quick codes not available in this catalogue page please consult factory

CURVES



ORDERING CODES

Quick code	Description	Cracking pressure	O-ring on pilot piston
CD000555	CDPN-060-PSGR-03-161-N000	0,3 bar (5 psi)	YES
CD000226	CDPN-060-PSGR-03-161-N002	2 bar (25 psi)	YES
CD000227	CDPN-060-PSGM-03-161-N002	2 bar (25 psi)	NO
CD000224	CDPN-060-PSGR-03-161-N005	5 bar (75 psi)	YES
CD000225	CDPN-060-PSGM-03-161-N005	5 bar (75 psi)	NO