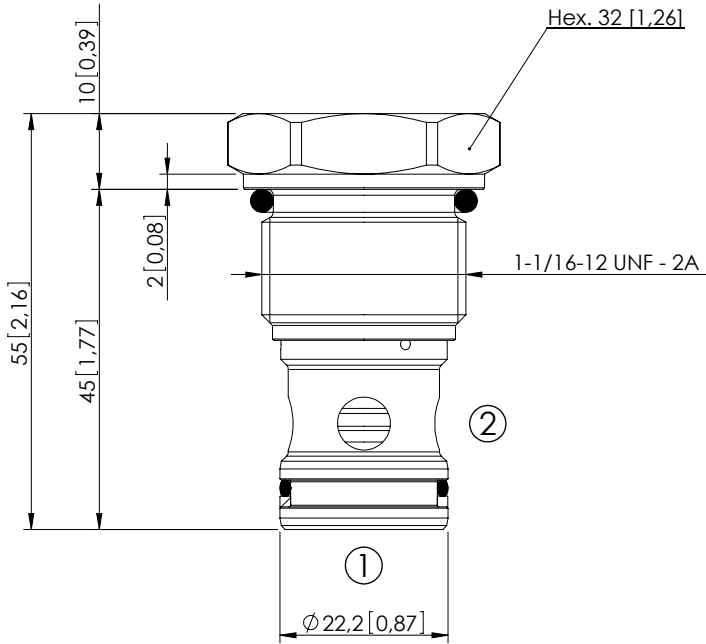


CHECK VALVE

CDVN-120-PSNR

POPPET TYPE



SPECIFICATIONS

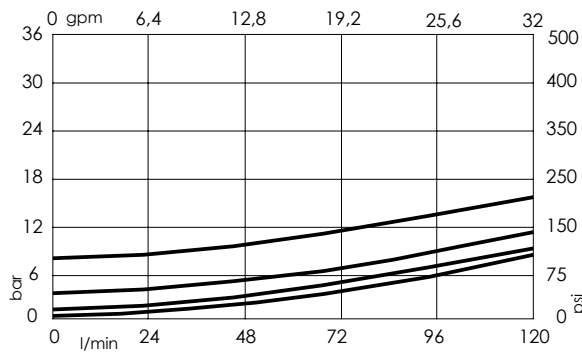
Max. operating pressure:	350 bar (5000 psi)
Rated flow:	120 l/min (32 gpm)
Cavity:	SAE-12-2N
Weight:	0,3 kg (0,4 lbs)
Contamination class to ISO 4406:	See technical spec.
Seal kit:	RA700083
Installation torque:	110 - 130 Nm (81 - 96 ft-lb)
MTF _d :	150 - 1200 years: See technical spec.

Dimensions: mm [inches]

NOTES

For other configurations/quick codes not available in this catalogue page please consult factory

CURVES



ORDERING CODES

Quick code	Description	Cracking pressure	
CD000444	CDVN-120-PSNR-FN-S12-N000	0,3 bar (5 psi)	
CD000046	CDVN-120-PSNR-FN-S12-N001	1 bar (15 psi)	
CD000310	CDVN-120-PSNR-FN-S12-N004	4 bar (50 psi)	
CD000445	CDVN-120-PSNR-FN-S12-N008	8 bar (100 psi)	