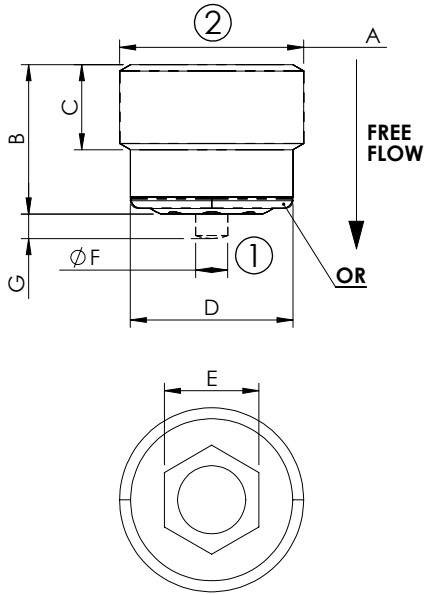


CHECK VALVE

CDVN-XXX-PAGS

MONODIRECTIONAL
POPPET TYPE



SPECIFICATIONS

Max. operating pressure:	500 bar (7200 psi)
Weight:	3 - 45 g (0,01 - 0,1 lbs)
Contamination class to ISO 4406:	See technical spec.
MTF _a :	150 - 1200 years: See technical spec.

NOTES

Hardened seat and piston

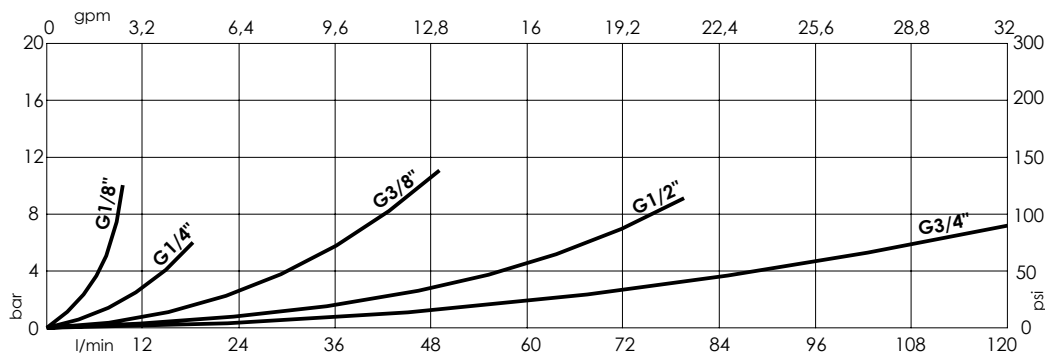
For other configurations/quick codes not available in this catalogue page please consult factory

Dimensions: mm [inches]

SPECIFICATIONS

Quick code	A	B	C	D	E	F	G	OR
CD000179	G 1/8"	7,9 [0,31]	4,5 [0,18]	8,6 [0,34]	Hex. 5 [0,2]	1,7 [0,07]	1,3 [0,05]	6,00 x 1 N70 [0,236x0,039]
CD000180	G 1/4"	10,3 [0,41]	5,5 [0,22]	11,6 [0,46]	Hex. 7 [0,28]	2,0 [0,08]	1,3 [0,05]	9,00 x 1 N70 [0,354x0,039]
CD000181	G 3/8"	11,7 [0,46]	7,0 [0,28]	15 [0,59]	Hex. 6 [0,24]	2,7 [0,11]	2,0 [0,08]	11,00 x 1,5 N70 [0,433x0,059]
CD000182	G 1/2"	13,2 [0,52]	8,0 [0,32]	18,5 [0,73]	Hex. 8 [0,32]	3,2 [0,13]	2,5 [0,1]	14,00 x 1,5 N70 [0,551x0,059]
CD000183	G 3/4"	17,1 [0,67]	10,5 [0,41]	24 [0,95]	Hex. 12 [0,47]	5,5 [0,22]	3,8 [0,15]	18,77 x 1,78 N70 [0,739x0,070]

CURVES



ORDERING CODES

Quick code	Description	Cracking pressure	Rated flow	Cavity	Installation torque
CD000179	CDVN-010-PAGS-307-N001	0,1 bar (1,5 psi)	10 l/min (3 gpm)	VP000307 (G1/8")	8 Nm (6 ft-lb)
CD000180	CDVN-020-PAGS-309-N001	0,1 bar (1,5 psi)	20 l/min (5 gpm)	VP000309 (G1/4")	15 Nm (11 ft-lb)
CD000181	CDVN-050-PAGS-310-N001	0,1 bar (1,5 psi)	50 l/min (13 gpm)	VP000310 (G3/8")	20 Nm (15 ft-lb)
CD000182	CDVN-080-PAGS-311-N001	0,2 bar (3 psi)	80 l/min (21 gpm)	VP000311 (G1/2")	40 Nm (30 ft-lb)
CD000183	CDVN-120-PAGS-312-N001	0,1 bar (1,5 psi)	120 l/min (32 gpm)	VP000312 (G3/4")	80 Nm (59 ft-lb)