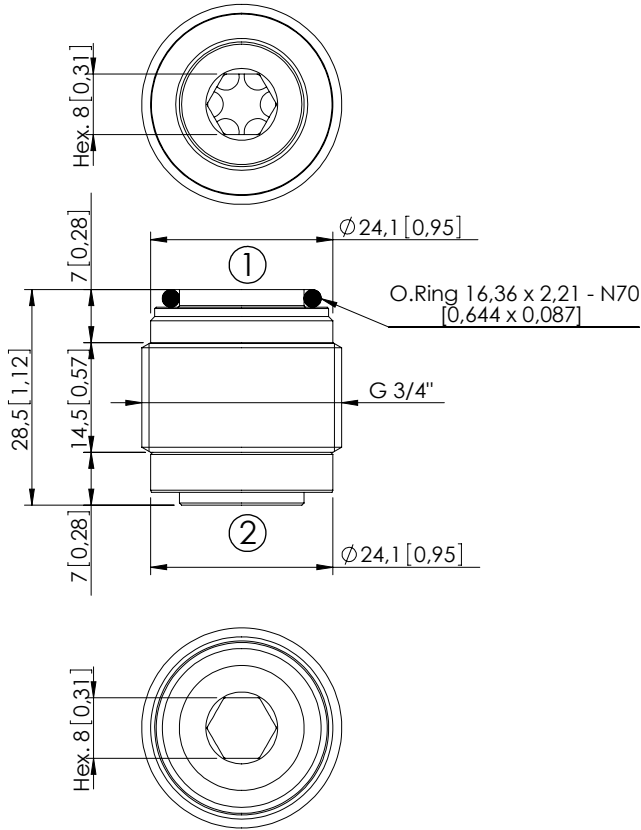


CHECK VALVE

CDVN-120-PSNS

BIDIRECTIONAL
POPPET TYPE



SPECIFICATIONS

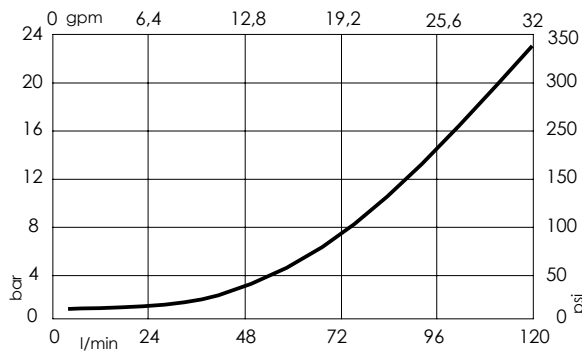
Max. operating pressure:	350 bar (5000 psi)
Rated flow:	120 l/min (32 gpm)
Cavity:	VP000202
Weight:	0,08 kg (0,18 lbs)
Contamination class to ISO 4406:	See technical spec.
Installation torque:	60 - 75 Nm (44 - 55 ft-lb)
MTTFa:	150 years

Dimensions: mm [inches]

NOTES

Bidirectional installations. Fit O-Ring to side first inserted in cavity.

CURVES



ORDERING CODES

Quick code	Description	Cracking pressure	
CD000106	CDVN-120-PSNS-FN-202-N001	1 bar (15 psi)	