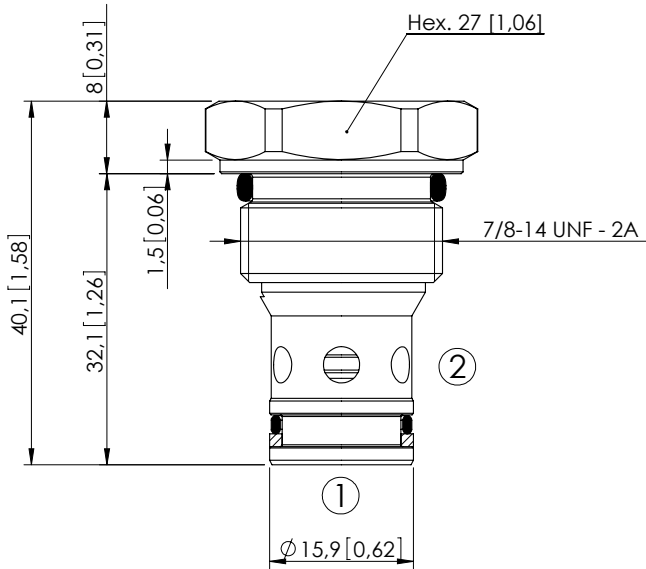


CHECK VALVE

**CDVN-080-PSNR**

POPPET TYPE



**SPECIFICATIONS**

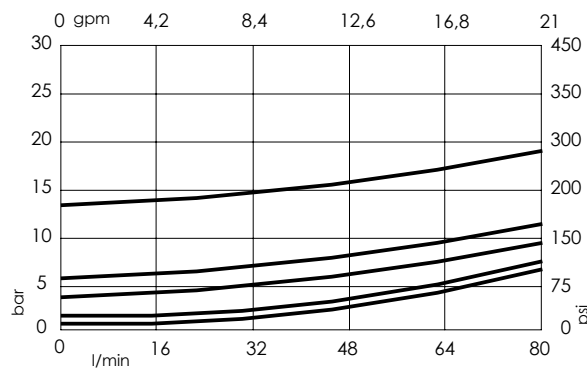
Max. operating pressure:	350 bar (5000 psi)
Rated flow:	80 l/min (21 gpm)
Cavity:	SAE-10-2N
Weight:	0,09 kg (0,2 lbs)
Contamination class to ISO 4406:	See technical spec.
Seal kit:	RA700082
Installation torque:	55 - 62 Nm (41 - 46 ft-lb)
MTTF <sub>d</sub> :	150 - 1200 years: See technical spec.

Dimensions: mm [inches]

**NOTES**

For other configurations/quick codes not available in this catalogue page please consult factory

**CURVES**



**ORDERING CODES**

Quick code	Description	Cracking pressure	
CD000100	CDVN-080-PSNR-FN-S10-N000	0,35 bar (5 psi)	
CD000023	CDVN-080-PSNR-FN-S10-N001	1 bar (15 psi)	
CD000169	CDVN-080-PSNR-FN-S10-N002	2 bar (30 psi)	
CD000101	CDVN-080-PSNR-FN-S10-N005	5,5 bar (75 psi)	
CD000092	CDVN-080-PSNR-FN-S10-N007	7 bar (100 psi)	
CD000082	CDVN-080-PSNR-FN-S10-N013	13 bar (200 psi)	