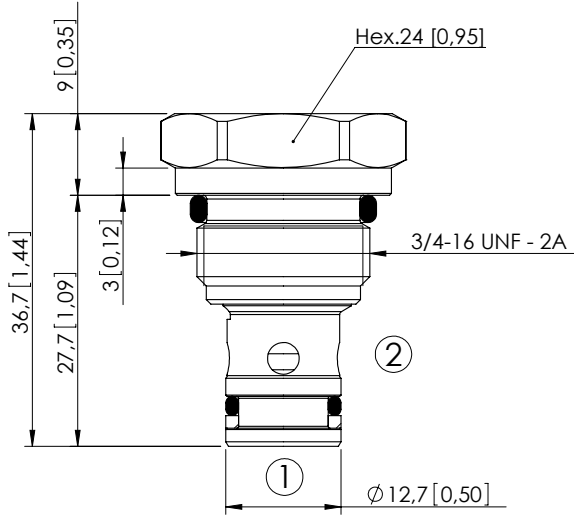


CHECK VALVE

CDVN-050-PSNR

POPPET TYPE



SPECIFICATIONS

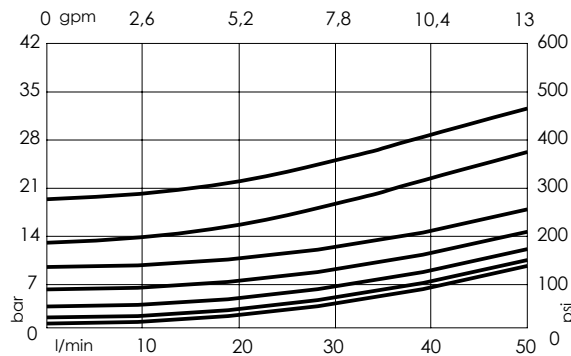
Max. operating pressure:	350 bar (5000 psi)
Rated flow:	50 l/min (13 gpm)
Cavity:	SAE-08-2N
Weight:	0,06 kg (0,13 lbs)
Contamination class to ISO 4406:	See technical spec.
Seal kit:	RA700081
Installation torque:	45 - 50 Nm (33 - 37 ft-lb)
MTTFd:	150 - 1200 years: See technical spec.

Dimensions: mm [inches]

NOTES

For other configurations/quick codes not available in this catalogue page please consult factory

CURVES



ORDERING CODES

Quick code	Description	Cracking pressure	
CD000099	CDVN-050-PSNR-FN-S08-N000	0,35 bar (5 psi)	
CD000024	CDVN-050-PSNR-FN-S08-N001	1 bar (15 psi)	
CD000039	CDVN-050-PSNR-FN-S08-N003	3 bar (50 psi)	
CD000269	CDVN-050-PSNR-FN-S08-N006	6 bar (75 psi)	
CD000471	CDVN-050-PSNR-FN-S08-N009	9,5 bar (125 psi)	
CD000070	CDVN-050-PSNR-FN-S08-N013	13 bar (175 psi)	
CD000620	CDVN-050-PSNR-FN-S08-N020	20 bar (290 psi)	