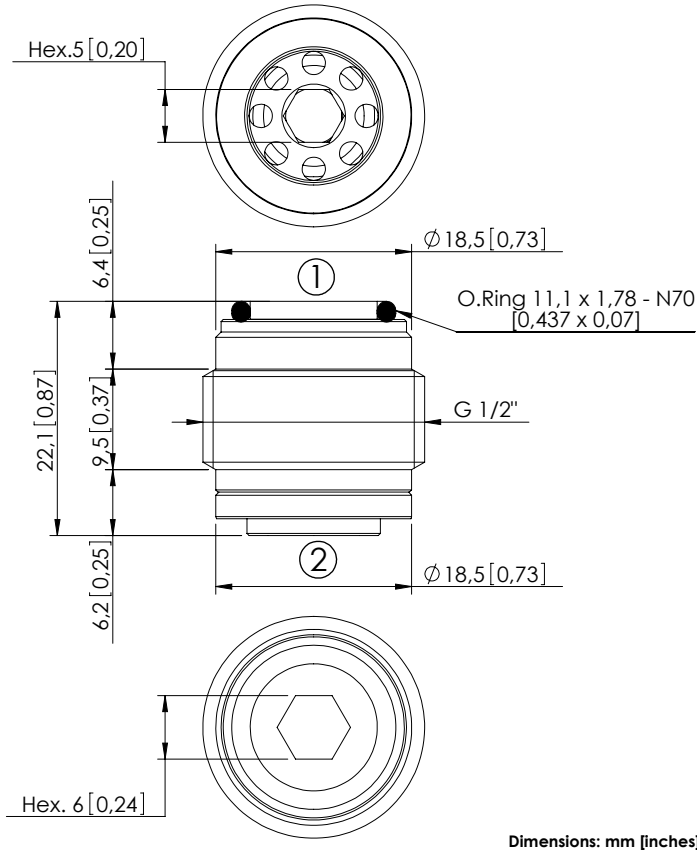


CHECK VALVE

CDVN-050-SSNS

BIDIRECTIONAL
SPHERE TYPE



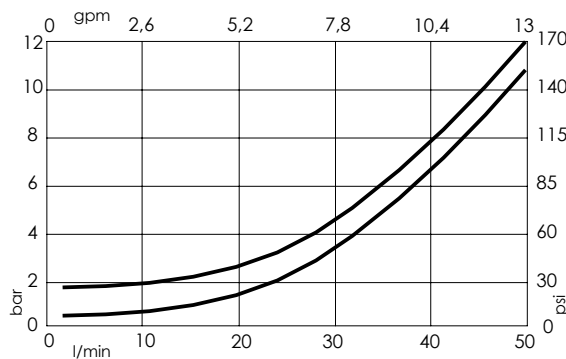
SPECIFICATIONS

Max. operating pressure:	350 bar (5000 psi)
Rated flow:	50 l/min (13 gpm)
Cavity:	VP000158
Weight:	0,04 kg (0,09 lbs)
Contamination class to ISO 4406:	See technical spec.
Installation torque:	25 Nm (19 ft-lb)
MTF _a :	150 years

NOTES

Bidirectional installations. Fit O-Ring to side first inserted in cavity.

CURVES



ORDERING CODES

Quick code	Description	Cracking pressure	
CD000098	CDVN-050-SSNS-FN-158-N002	1,5 bar (25 psi)	
CD000059	CDVN-050-SSNS-FN-158-N000	0	